

**FOR SALE**

Norcold refrigerator 6.3, 2 door, 3 way, grain elevator, 16' Int 10 grain drill, Kill-brothers, 275 bu grain bin wagon. Lebanon Co. 717-838-4508.

Heavy oak hay feeders on skids for square bales with tin roofs \$75. Large steer stuffer \$300 OBO. Franklin Co. 717-328-5038.

John Deere 12ft 1424 haybine hydro swing very good \$8500. 2 16.5-16.1 tires w/tubes 85% \$150. Dauphin Co. 717-566-0539.

DC Case tractor \$600. Bedford Co. 814-847-2601.

2000 lb forklift, rebuilt engine, solid tire, Miller Big 40 gas welder, S Fisher, 302 Forrest Manor Rd, Lincoln Univ PA 19352. 8-9 a.m. Chester Co. 610-869-4477.

NH 782 harvester 824 corn head, 790w hay head \$4000. Union Co. 717-966-9893.

Owatonna grinder mixer w/scales model 424 good cond. Angus beef cows, registered due in fall. Lanc. Co. 717-445-8880.

Meat slicer iron kettle, 32 gal \$100. The #100 Buffalo sausage stuffer \$125. Berks Co. 610-589-2282.

530 Case backhoe, bad motor, good tires, cyl, \$1850. 2 axle tagalong trailer, good shape, 12,000 GVW \$950. Chester Co. 610-273-2423.

2 reg quarter horses, very good on trails. Horses boarding daily turn out great trails \$120/mo, full care, do breaking. Felton PA. 717-244-9381.

Garage doors, overhead, 10x10', green, most light, BO. Lanc. Co. 717-653-4598.

GM power unit, running cond \$2000. Ruger rifles 280, 6mm, 22 Hornet IH, 458 Rem 22-250 scope. Lanc. Co. 717-872-5787.

Mosemann's 3lb peanut butter tin \$100 firm. Childs Wolverine toy refrigerator \$55. Lanc. Co. 717-367-4227.

3ft rear mounted post hole digger w/9" auger firm \$300. Noon-1:30 p.m. Adams Co. 717-624-8172.

600' reel rain irrigation wheel, 2" Honda pump, high pressure nozzle, BO. Lanc. Co. 717-484-9232.

Beefmaster brood cows, due Sept, pet centers 2, aquarium units 2, small pets units, everything included, BO. Adams Co. 717-624-3943.

John Deere 214 L&G tractor, new 46" mower deck 14hp runs great \$1850. York Co. 717-292-7670.

Rifle 7mm w/scope 4x12 power sling \$400 OBO. Rem M760 223 scope like new \$925 OBO. York Co. 717-862-3131.

Pembroke Welsh Corgi pups, AKC registered, exc champion bloodlines, fawns and sables, breeding and pet quality. York Co. 717-229-2177.

Precast J bunk feeders, 4 sections, 12' long, 1 3ft, good cond \$75 ea. Lanc. Co. 717-426-2530.

AC WD45 WF nice tin \$1700. WD45 NF \$1350. B C and WD cult, rear steel for B \$400. Lanc. Co. 717-284-2640.

2 14.9x28 tires on IH combine rims good 1 13x24 all state tractor tire, good. Lanc. Co. 717-665-3686.

Horse and pony carts on steel or rubber, 200 Blank Rd, Narvon PA 17555. Lanc. Co.

Truck cap Leer fiberglass green met, good cond, \$550 OBO. Bushwacker fender flares street \$150 OBO. Fit 94-97 Dodge. Lanc. Co. 717-426-4971.

10 New Zealand white rabbit does, 2 bucks, cages waters, nest boxes, everything goes \$250 OBO. Henry Fisher, 4080 Ashville Rd, Quarryville PA 17566. Lanc. Co.

Pony cart, good cond, 50" \$85. 6 saddles English Western \$40 up \$100. Ready to use. Lanc. Co. 717-336-7273.

Snow plow fully hydraulic v plow \$1500, call Geof, works great, commercial equip. Harford Co. 410-399-0126.

New Holland baler #268 900 Ford tractor with two row mtd #602 Ford picker will sell other equip. York Co. 717-741-3039.

1070 Case one steel, 540 and 1000 shaft, also AKC male miniature collie pups. Union Co. 717-922-4665.

1949 G Allis Chalmers new rubber. 1938 B Allis Chalmers, new rear rubber, both tractors fully restored. Cumb. Co. 717-776-4119.

Healthy cats \$5 ea. Lanc. Co. 717-336-8086.

Single seat carriage as is \$1550 or reconditioned, your choice of interior \$2450. Lanc. Co. 717-445-8256.

6yr old reg quarterhorse mare, trail rides, started on cattle, cattle avail to work \$2300 OBO. Lebanon Co. 717-865-2705.

Ford 1510 4wd loader tractor Ford 3910 tractor, exc cond, Ford 3000 gas \$3500. Cockshutt 30 1250 OBO. Franklin Co. 717-328-5655.

114JD full hydrostatic w/mower w/4ft power angle, snowplow \$1750. AC suttie shift garden tractor w/mower VC \$650. Snyder Co. 717-837-3568.

2 bottom 14in John Deere plow one 9ft harrow. York Co. 717-235-1985.

Single shank subsoiler like new \$65. Eves. Berks Co. 610-779-6742.

Angora goats, buck kids only 3 left \$75 ea. Merino cross ewes, 2 black, very nice fleece \$100 ea. York Co. 717-382-4111.

Australian shepherd pups, black/white and blue merles, 6yr qh/app gelding 15h. Lebanon Co. 717-865-0380.

Bushhog Model 6 mower, rusted and busted deck \$100. Toyota diesel engine, cond unknown \$100. Berks Co. 610-385-3187.

1991 race redy 39" high rail sprint car 355 legal KARS motor fresh first \$10,000 takes all, anytime. Mont. Co. 215-721-0490.

3yr old part saddlebred, broke, bay mare, rides, \$800. 8 section dog kennel, like new. Union Co. 717-966-3965.

Water pump w/3hp B&S engine, 2" outlet, 150gpm \$175. Tools for metal lathes and milling machines. Lebanon Co. 717-273-3982.

Gravelly tractor, elec start, w/sulky, 40in rotary mower, 3 section gang mower, cutter bar, cultivators, plow. Adams Co. 717-334-4284.



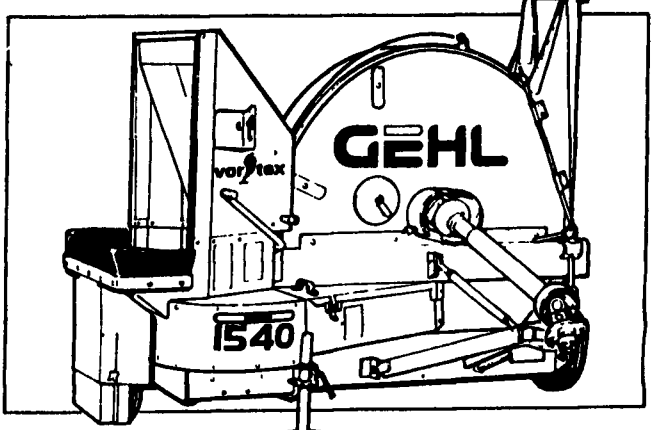
**Total Bale Control**



- With Gehl's variable chamber round balers
- Total density control (TDC) - Custom-build bales
  - Bale control system - Monitors complete baling function
  - Quick-wrap option - Speeds baling, preserve quality.
  - Constant velocity driveline - For smooth operation
  - Electric dual twine wrap - With manual or auto control
  - Low horsepower requirement - Needs only 40 hp

**Free Crowder Wheels with the Purchase Of A Round Baler**

**"Vortex™" Blowers**



If you need a high-capacity forage blower to fill your tallest silos, Gehl Vortex blowers will help get your silo-filling done in short order.

- Three models - Your choice of 540 or 1,000 rpm operation.
- Twin spinners - Rifle material into the blower fan at nearly 35 mph.
- Twin-sided fan disc - Paddles on both sides shoot the crop up the pipe in nearly continuous flow.
- Split rim sheets - Feature a replaceable inner liner for longer life and lower maintenance costs.
- Many convenience features - Swing-away blower outlet, air vents, adjustable left tire, right tire guard, wide hopper, removable tunnel covers and duals water inlets.

**High Quality, Low Cost Long Distance**  
 10.9¢ day/night/weekends  
 6 sec billing - 888 #s  
 18.9¢ Canada d/n/w  
 No Service Charge  
 19¢ Prepaid Calling Cards  
 Call: Richard Mummau  
 717-653-6112  
 800-808-2737

**New & Used Wind Mills**  
 E & R WIND MILL SALES & SERVICE  
 717-354-5554  
 717-354-9320

**FREEDOM FINANCING**  
 7.9% for 48 months with 1/2 Payments For the 1st year. 48 Month Term

**Stretch your equipment purchase dollars with Gehl Finance. Talk to your participating Gehl dealer about our current programs**

Waiver of Finance on new Gehl Equipment until **March 1, 1998** Then 11.9% APR for up to 36 months

**- OR - CASH REBATES**

0% for 18 months - OR - 4.9% for 24 months - OR - 5.9% for 36 months - OR - 6.9% for 48 months

\* Certain restrictions may apply. See your participating Gehl dealer for complete details. Gehl Company reserves the right to interpret, modify or cancel these programs at any time without prior notice.

**Available From Your Local Participating Dealer**

- |  |  |  |   |  |
|--|--|--|---|--|
| <b>UMBERGER'S OF FONTANA</b><br>RR 04 (Fontana) Lebanon, PA            | <b>BINKLEY &amp; HURST BROS.</b><br>133 Rothsville Station Rd. Lititz, PA                    | <b>D.W. OGG EQUIPMENT CO.</b><br>5149 Cap Stine Rd. Frederick, MD<br>961 Leisters Church Rd. Westminster, MD | <b>GUTSHALL'S, INC.</b><br>RD 2 Rte. 850W Loysville, PA and<br>1201 Spring Rd. Carlisle, PA | <b>MILLER-LAKE</b><br>RR 02, Box 273A Belleville, PA                 |
| <b>A.L. HERR &amp; BRO.</b><br>312 Park Ave. Quarryville, PA           | <b>LEHIGH AG EQ. INC.</b><br>6670 Ruppessville Rd. Allentown, PA 18106                       | <b>PEOPLE'S SALES &amp; SERVICE, INC.</b><br>Route 35 Oakland Mills, PA                                      | <b>LEBANON VALLEY IMPLEMENT CO., INC.</b><br>700 E. Linden St. Richland, PA                 | <b>TOM DUNLAP</b><br>Rt. 220- Main St. Jersey Shore, PA              |
| <b>ECKROTH BROS. FARM EQUIPMENT</b><br>RR 02, Box 24A New Ringgold, PA | <b>HINES EQUIPMENT</b><br>PO Box 5, Rt. 22 Cresson, PA<br>RR 03, Box 550, Altoona (Bellwood) | <b>LINCOLN SUPPLY CO.</b><br>Rt. #2, Box 217A Somerset, PA   | <b>ICKES FARM SUPPLY</b><br>Rt. 1 Hwy. 869 West Osterburg, PA                               | <b>STOUFFER BROS. INC.</b><br>1066 Lincoln Way West Chambersburg, PA |
| <b>MILLER EQUIPMENT CO.</b><br>RR 01 Stauffer Rd. Bechtelsville, PA    |  |  |   | <b>WERTZ FARM EQUIP.</b><br>4132 Main St. Lineboro, MD               |

**SAVE \$** Free Catalog

**Quality Products**

- Forage Knives
- Barn Fans
- Tunnel Vent. Fans
- Trailer Hitches
- 740 Cushion Hitches

**Weaver Distributing**  
 1 800 Weaver D  
 1 800 932 8373  
 FAX  
 1 800 Fax to WD  
 1 800 329 8693  
 RD. 2, Fredricksburg, PA 17026