

# Junior Guernsey Breakfast

(Continued from Page A28)

Awards presented at the Saturday breakfast were as follows: Junior Production; High two-year-old milk-fat-protein, Trotacre Magaic Mercury Lou-ET, 28316 milk, 1164 fat, and 886, protein, Amy Liggett, Enon Valley.

High Three-Year-Old Milk-Protein, Trotacre Lyndon Blaire, 18179 milk, 636 fat, and 671 protein, Holly Liggett, Enon Valley.

High Three-Year-old Fat, Sniders Magic Satin, 1720 milk, 843 fat, and 621 protein, Kristi Snider, New Enterprise.

High Four-Year-Old Milk-Fat Protein, Sniders Fayettes Bailey, 16814 milk, 831 fat, and 657 protein, Aaron Gable, New Enterprise.

High Aged Cow Milk-Protein, Guernedale Fayette Robin, 19663 milk, 726 fat, and 652 protein, Aaron Gable, New Enterprise.

High Aged Cow Fat, Elsview Farms Giant Jemima 16951 milk, 795 fat, and 588 protein, Troy

Hill, Sandy Lake.

Junior All-Pennsylvania Awards:

Junior Heifer Calf, Hi Field BJ Happy, Kristi Guyer, Derry.

Intermediate Heifer Calf, Twin Brook Magic Georgie, Anne Marchezak, Bentleyville.

Senior Heifer Calf, King & Queen G.H. Daffodil-Twin, Andrew Smith, Denver.

Summer Yearling Heifer, Walnut Lane E. Goldilocks, Emily Stuff, Mercersburg.

Junior Yearling Heifer, Sniders Illus Rosette, Jan Snider, New Enterprise.

Intermediate Yearling Heifer, Hi Field Sentry Delite, Kristi Guyer, Derry.

Senior Yearling Heifer, Trotacre Loral Blaire, Melanie Brockway, Enon Valley.

Junior Two-Year-Old Cow, ESJ Playboy Sarah, Adam McMurray, Eighty Four.

Senior Two-Year-Old Cow, Trotacre Bucky Mamie, Holly

Liggett, Enon Valley.

Junior Three-Year-Old Cow, Twin Brook Perfect Jasmine, Rendi Marchezak, Bentleyville.

Senior Three-Year-Old Cow, Sniders Fayette Dazzle, Amber Clark, New Enterprise.

Four-Year-Old Cow, Hi Field Zeus Jessie, Paula Guyer, Derry.

Five-Year-Old & Over Cow, Guernedale Fayette Robin, Aaron Gable, New Enterprise.

Dry Cow Four Years & Under, Sniders Smokey Breck-Twin, Jan Snider, New Enterprise.

Best Bred & Owned, Twin Brook Magic Georgie, Anne Marchezak.

Outstanding Guernsey girl awards went to Holly Liggett of Enon Valley and the outstanding boy was Greg Hemsarth of Millville.

The Outstanding Youth award could not be narrowed down between the two candidates so both Victoria Ansell and Jonathan McMurray were given the award.

Dairy Bowl Team Members were named as Jeff Ansell, Greg Hemsarth, David Blake, and Ton

White on the junior team. The senior team will consist of Julie Sollenberger, Eric Poole, Andy Ebersole, Vickie Ansell.

Alternates are Kevin Sollenberger, Sam Huff, Andrew Blake, and Adam McMurray.

Amy Liggett was announced as the winner of the T-shirt design contest.

Vickie Ansell noted that the craft auction had raised a total of \$2605.

Amber Clark was the winner of the Lee Yost Guernsey Youth Prize of a Guernsey calf or \$500.



Dairy Bowl Team members announced at the Pennsylvania Junior Guernsey Breeders Assn. breakfast are from left, front, Greg Hemsarth, Kevin Sollenberger, Vickie Ansell, and Julie Sollenberger. Middle, Sam Huff, Ron White, Adam McMurray, Jeff Ansell, and David Blake. Back, Andy Ebersole, and Eric Poole.

## Weaver Insurance Agency

"We're Here To Serve"

### "MEDICAL SAVINGS ACCOUNTS"

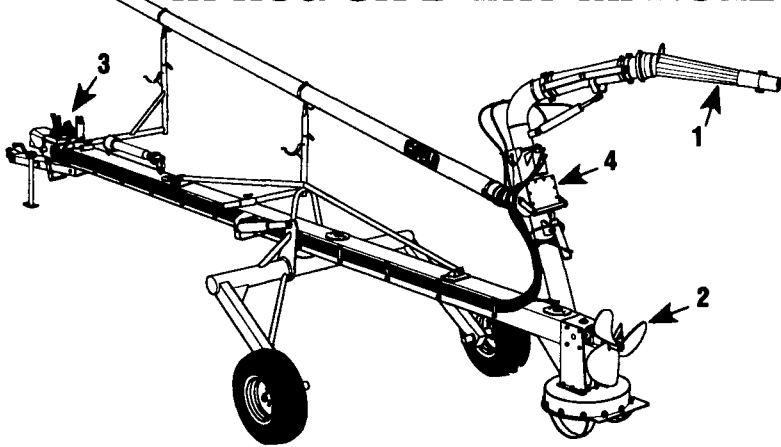
If you have high deductibles for health insurance, a Medical Savings Account will make sense! Donations to Medical Savings Accounts are tax deductible, interest bearing, and can be used towards any medical or dental bills. For information on this or any type of insurance, please call:

Carol - Diane - Roger - Cindy

248 B Maple Ave., Quarryville, PA 17566  
(717) 786-1711 (800) 882-1415

## TRAIL AGI-POMPE® 32' AND 42' FOR LAGOONS

GREAT PERFORMANCE  
IN HOG OR DAIRY MANURE



1- Highly articulated nozzle designed to slice and break the top crust from above the manure level as the propeller homogenises the liquid with the remaining floating chunks.

2- 24" dia. mixing propeller providing full time agitation up to 21,500 US G.P.M. even when loading a spreader.

3- Hydraulic controls can be operated from tractor seat.

4- Rotative directional valve designed to be operated at low R.P.M. without stopping the P.T.O.

Gear box oil bath protected by a greaseable 3 seals mechanism on each shaft.

AVAILABLE WITH MULTIPURPOSE OPTION TO ALSO CLIMB INTO CONCRETE PITS UP TO 14' DEEP.

**HOULE**  
FARM EQUIPMENT  
MANUFACTURER

**MID-ATLANTIC  
AGRISYSTEMS**  
Oxford, PA 19363  
800-222-2948

# ROHRER'S

THE COMPLETE SEED STORE  
Farm-Garden-Flower-Lawn Grass Seeds

### CROP PROTECTANT PRODUCTS

AV-70 Plus Algicide..... Gal.	\$22.50
Agrimycin 17 ..... 8 Oz.	\$11.25
Agrox D-L Plus... 1.8 Oz. Pk.	\$2.75
Benlate 50 DF.. 2 Lb. Bag	\$40.50
Captan 50W ..... 5 Lb.	\$21.50
Carbamate 76 WDG 5 Lb.	\$27.95
Charge Starter Solution (8-32-5)..... 5 Gal.	\$15.10
Dacthal 75W..... 4 Lb.	\$33.50
Devrinol 50W ..... 4 Lb.	\$43.50
Dipel 4L ..... Qt.	\$11.50
Diquat ..... 2% Gal.	\$266.00
Dormant Oil ..... 5 Gal.	\$34.50
Foamgard ..... 1 Qt.	\$9.95
Guthion 50W..... 5 Lb.	\$51.00
Imidan 70W ..... 4 Lb.	\$29.50
Isotox Seed Treater (F)..... 1 Lb.	\$12.00
Karmex DF..... 4 Lb.	\$24.52
Lannate..... 8 Oz.	\$12.50
Lorsban 50W ..... 5 Lb.	\$43.75
Malathion 25W ..... 5 Lb.	\$14.50
Manzate 200 DF..... 6 Lb.	\$23.50
Mariate 50W ..... 4 Lb.	\$20.50
Orthene Ornamental 1 Lb.	\$15.25
Orthene 75S..... 1 Lb.	\$13.50
Pramitol 25E ..... 1 Gal.	\$33.50
Pramitol 5PS..... 20 Lb.	\$47.50
Pyrene Crop Spray. Qt.	\$55.00
Roundup..... Qt.	\$49.50
Roundup..... 1 Gal.	\$102.50
Roundup Ultra 2% Gal.	\$162.50
Sevin 50W ..... 5 Lb.	\$20.50
Weedar 64..... 1 Gal.	\$20.75
Weedone LV-4 ..... 1 Gal.	\$21.50

### ROHRER'S FANCY LAWN GRASS FOR A GREENER, FINER LAWN

ECONOMICAL ONE LB. COVERS 250 SQ. FT.	
1 lb. box .....	\$4.89
10 lb. bag.....	\$26.99
3 lb. box .....	\$10.99
25 lb. bag.....	\$59.99

### ROHRER'S GOOD TURF LAWN GRASS SEED GOOD GENERAL PURPOSE MIXTURE

1 LB. COVERS 250 SQ. FT.

1 lb. box .....	\$3.99
3 lb. box .....	\$8.99
10 lb. bag.....	\$21.99
25 lb. bag.....	\$49.99

### ROHRER'S SPORT TURF SEED Hardy Lawn for Heavy Traffic

1 lb. box .....	\$4.89
10 lb. bag.....	\$26.99
3 lb. box .....	\$10.99
25 lb. bag.....	\$59.99

### SHADY LAWN GRASS MIXTURE Best For Shaded Areas

1-lb. Box.....	\$3.99
10 lb. Bag .....	\$21.99
3 lb. Box.....	\$8.99
25 lb. Bag .....	\$49.99

Highland Pasture Mixture .....	50 lb. bag	\$127.50
Waterway Grass Mixture .....	50 lb. bag	\$139.50
Horse Pasture Mixture .....	50 lb. bag	\$120.50

**VEGETABLE SEEDS**  
Over 150 Proven Varieties  
For Our Growing Area!

#### STORE HOURS

8:00 A.M. to 5:00 P.M.  
Monday Thru Friday  
8:00 A.M. to NOON on Sat.

**P. L. ROHRER & BRO., INC.**

Smoketown, Pa.

Ph: 717-299-2571  
FAX 717-299-5347