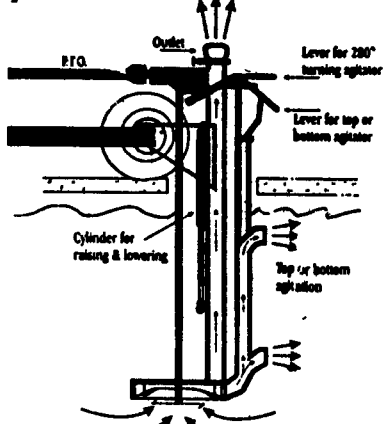


## Liquid Manure Pit Pumps



•Available 6-8-10-12 ft. •Trailer mounted mobility  
•Hydraulic lift •Simple controls •Dual agitation

- Ford 2110 Tractor, 4WD, w/loader, excellent.....\$12,500
- JD 855 Tractor, 2WD, w/loader, showroom cond....\$9,900
- IH 1466 Tractor, cab, nice.....\$9,200
- Deutz 100-06 Tractor, engine completed, rebuilt.....\$7,800
- IH 826 Tractor w/cab.....\$7,800
- 1066 Tractor, Black Stripe, 4100 Hrs, excellent.....\$12,900
- CIH 585 Tractor, Super Sharp.....\$9,900
- MF 65 Tractor, Diesel, Engine Completely Rebuilt, Painted.....\$5,400
- NH 454 Skid Loader (gas).....\$8,500



**MILLER'S REPAIR**  
1 Mile North of Bird in Hand  
8 Miles East of Lancaster  
Ph. 717-656-6109

- IH 13 shank chisel plow, \$1,750
- Ford 5x18 spring reset, \$3,500
- Ford 14' heavy disc, \$3,500
- 8x46 Westfield auger, \$1,800
- 400 bushel Underfer gravity wagon, \$4,000
- 360 bushel Parker Bros goose-neck grain trailer, \$1,500
- 250 bushel gravity wagon, \$1,500
- NI 6x41 auger, \$500
- IH 510 drill w/grass 21x 7, \$3,000
- 2 flat wagons OBO.

**(908) 735-6501**  
evenings

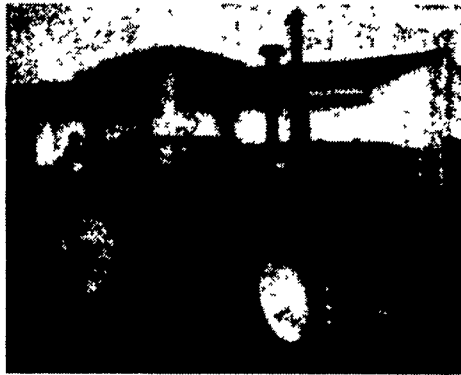


1020 JD gas tractor with JD 47 loader, 7' hydraulic bucket

- Brillion 10' seeder. Used for 121 acres only. \$2,950
- Gehl 1540 blower \$1,800
- WIC 3 pt hitch bedding chopper \$1,500
- Lg Country Boy gravity wagon \$1,500
- JD 336 baler w/thrower. \$3,600

Lycoming County  
717/323-0987

## WILL BUY OR TRADE



JD 4450, PS, 18-38 Duals, Wts, 5,700 Hrs, good condition

- Case IH 685, 4x4 w/2250 loader.....\$18,000
- Case 2294, cab & air, power shift.....Coming In
- IH 5088, cab, air, TA, nice.....\$18,500
- IH 1466, cab, air, TA, duals.....\$8,800
- IH 1086, cab, air, new TA.....\$12,500
- IH 1066, fenders, TA.....Coming In
- IH 685 w/loader, shuttle shift.....\$14,500
- IH 500 ag crawler, gas, PTO, 3 pt., hyd.....\$5,900
- MF 3660, 4x4, cab & air.....Coming In
- MF 3545, 4x4, cab, air, 1,500 hrs.....\$24,500
- MF 3140, 4x4, cab & air.....\$28,500
- MF 1155, cab, air, Multi-power.....\$7,000
- MF 690, 2WD, cab & air.....\$14,000
- MF 399, 4x4, cab & air.....\$28,000
- MF 285 w/cab, 8 spd.....\$8,500
- MF 285, diesel, late model.....\$9,000
- MF 275 w/ 236 Loader.....\$10,500
- MF 275, cab, late model.....\$10,250
- MF 165, diesel.....\$3,800
- MF 50A, cab, shuttle, loader.....\$7,000
- White 2-180, cab, air, duals.....\$11,000
- Oliver 1650, diesel, Western model.....\$3,900
- JD 4450 4x4, PS, duals, nice.....\$36,500
- JD 4440, cab, air, power shift.....\$21,500
- JD 4020 Diesel, WF.....\$6,500
- JD 3155, 4WD, cab & air, 1,500 hrs.....\$26,000
- JD 3155, cab & air, 3,500 hrs.....Coming In
- JD 3150, 4x4, 4 Post w/260 loader.....\$26,000
- JD 2630 Loader, Hi-Lo, nice.....\$10,500
- JD 450C, loader w/backhoe.....\$15,000
- Deutz Allis 9190, 4x4, cab & air, sharp.....\$44,000
- Deutz 7110, 4x4, CA, front 3 pt. & PTO.....\$18,500
- Ford TW35, 4x4, cab, air, 8 spd.....\$24,000
- Ford 1720, 4x4, 430 hrs.....Coming In
- Cat D5 Ag crawler.....\$9,500
- Bobcat 843 skid steer w/cab.....\$12,000
- Gehl 4815 diesel skid loader.....\$9,500
- NH 783 skid loader, 2,500 hrs.....\$12,500
- NH 254 Rake Tedder.....\$2,400
- Hesston 3700 Rake Tedder.....\$1,400
- (3) JD 9500 bean drill w/grass seeder, 10'.....\$1,500
- Ford NH 492 Haybine.....\$5,700
- JD 335 Round Baler.....\$9,000
- NH 848 Round Baler.....\$8,500
- Gehl 2350 discbine.....\$3,200
- Miller offset disc, 12'.....\$4,500
- IH 700 4x plow.....\$750
- IH 45 Vibra Shank, 18' Fold-Up.....\$1,400
- JD 1509 Batwing Mower.....\$4,500
- 7' King Cutter rotary mower, trailer type.....\$1,500
- 6 Ft. 3 Pt. Rotary Mower.....\$850
- Bush Hog SM60 Mower.....\$2,500
- IH 7 Shank Auto Reset V Ripper.....\$4,900
- 18.4x38 & 20.8x38 duals.....\$1,000
- MF 1859 13' flex head.....\$2,200
- MF 1143 4RN corn head.....\$3,000
- MF 1163 corn head.....\$4,500
- Gehl 1580 silage blower.....\$1,200
- Gehl 99 silage blower.....\$850
- IH 120 Forage Wagon w/tandem.....\$2,400
- Gehl 1250 Chopper, 3RN Corn Head.....\$4,500
- JD 245 loader w/valve.....\$3,200
- JD 146 loader w/valve.....\$2,900
- MF 246 loader.....\$2,800
- Badger 700L tank spreader, top fill.....\$4,500
- NI 224 Tandem Axle Spreader, end gate.....\$2,500
- Husky Snowblower 8 ft.....\$1,750

Deutz Allis 6265, 4x4, Fire Damage.....\$4,800

Financing Available

**L & M BURKHOLDER**  
Between Brownstown & Rothville  
170 Cocallco Creek Rd.  
Ephrata, PA 17522  
Shop 717-859-6616

717-859-2960 717-859-2712  
Mel (Residence) Lloyd (Residence)

## Best Buys In Used Equipment

### TRACTORS

- IH 1586 w/cab, Coming In
- Oliver 1650 diesel
- IH 1486 cab w/duals
- JD 8430, 4WD
- Oliver 1850 gas, 4R cultivator
- Case IH 2096 MFD
- Kubota ~~SOLD~~ w/turf tires
- IH 5288 w/duals
- 1994 Case IH 695, ROPS, 1780 hrs.
- IH 186, new hydro & paint

### COMBINES & HEADS

- 1986 Case IH 1620 w/15', 1020 grain head
- IH 844 corn head, 4R 36"
- Case IH 1020, 15' grain heads
- 1996 Case IH 2166 w/17½', 1020 grain head, Demo
- Case IH 1063 corn head, 6R 30", new, Demoad
- MF 1144 corn head, 4R, 36"
- White 8600 w/grain head
- MF 410 w/13' grain head
- MF 510 w/13' grain head
- 1990 Case IH 1640 axial flow w/1020 grain head
- 1992 Case IH 1640 Axial Flow w/ 15' 1020 grain head

### HAY & FORAGE

- NH 640 ~~SOLD~~ baler
- Haymow conveyor
- Fox 2100 Forage Harvester, 1R
- Fox 2310 Forage Harvester, 2R
- NH 425 Wire Baler
- NH 718 Forage Harvester
- Case IH 3650 Round Baler
- NH 282 Baler w/thrower

### LAWN MOWER

- Cub Cadet 1730 w/46" deck
- Cub Cadet 1715, 46" deck

### MISCELLANEOUS

- MF 52 disc harrow, 14'
- MF 520 disc harrow, 20'
- Ford 6' Bush Hog
- EverRain Irrigation system
- IH 800 plate planter 4R, 36" w/fertilizer, granular insecticide
- Case IH 5300 soybean special grain drill, 24x6, w/cultiplanter
- Plow packer
- NH 302 side delivery spreader
- Oliver 4 bottom plow
- FMC Sprayer, 400 gal. w/hand gun & Contentral engine
- Teledyne-Princeton D3600 piggy back lift truck
- Case IH 165, 5x16 roll over plow
- IH 5100 Grain Drill 21x7 w/Press Wheels
- Brillion 14' Packer
- (4) Case IH 4390 power units
- FMC Sprayer, D060, 600 Gal Tank, 72' Hyd Boom
- Case IH 5717 Chisel Plow, 17'

## Farm-Rite inc.

Agricultural Equipment, Supplies & Services  
122 Old Cohansey Rd., Shiloh, NJ 08353  
**1-800-752-6373**



© 1996 CASE CORPORATION  
Case IH is a registered trademark of Case Corporation

## 2 FARM EQUIPMENT WANTED

NH 790, 791 spreader w/ top beater or top beater for same. 717/367-0430 leave message.

Used fiberglass eight foot utility box to fit on 3/4 ton 4WD drive truck. EDKO FARMS, Ulysses, PA 614-848-7203.

WANTED: (2) 13.6-28 tires. (2) 7.5L-15 front tires. Leave message. (610)469-3869

WANTED: All New Holland 65 square balers (preferably sheltered). Call days 919/774-6213, evenings 910/673-7464.

WANTED: JD 2010, 2020, 2510, 2520, 3010, 3020, 4010, 4020. 609/567-0453.

Avco EZ flow model 109 3pt fertilizer spreader. (914)331-6908.

WANTED Round bale straw blower or bedding chopper. Bale Buster, Vermeer, etc. (301)790-0450

Wanted: Ford 2000 parts tractor. Can be fire damaged. 717/652-1957.

## JD Equipment Wanted

- 1240 4RN plateless planter
  - 8200 14x7 drill w/ grass seeder
  - BWF
  - 25A 3 pt sprayer
  - RM 430/630 Cultivator
  - Cat 2 Quick-Hitch
- All in Excellent Original Condition  
**330-966-2550**  
7p-9p OH.

## WANTED:

# USED FORD & KUBOTA TRACTORS

Call 717-949-2000

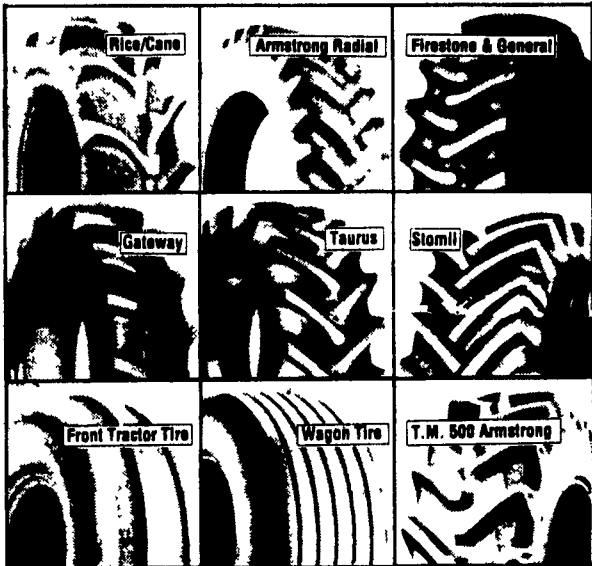
Daytime

# TIRE SALE

A FEW SUPER DEALS  
CALL FOR PRICES NOT LISTED

**1-800-548-1884**

Call or Visit Us For Complete Details



size	ply	price	size	ply	price
9.5x20	8	\$179	9.5 x32	6	\$195
11.2x24	4	\$108	30.5Lx32	10	\$825
12.4x24	6	\$169	11.2x34	4	\$195
13.6x24	8	\$245	16.9x34	6	\$250
14.9x24	4	\$145	18.4x34	8	\$319
14.9x24	8	\$249	20.8x34	6	\$490
16.9x24	6	\$249	23.1x34	8	\$690
17.5Lx24	10	\$289	9.5x36	6	\$175
19.5Lx24	8	\$349	11.2x38	4	\$179
23.1x26	10	\$550	12.4x38	4	\$195
28Lx26	10	\$795	13.6x38	4	\$215
13.6x28	4	\$165	14.9x38	6	\$279
14.9x28	4	\$189	15.5x38	6	\$239
14.9x28	6	\$215	16.9x38	8	\$369
16.9x28	6	\$239	18.4x38	6	\$349
16.9x28	8	\$259	18.4x38	8	\$389
16.9x30	6	\$244	20.8x38	8	\$490
23.1x30	8	\$549	20.8x38	10	\$625
RADIALS			RADIALS		
12.4 R 24	8	\$275	16.9R38	8	\$459
13.6R24	8	\$290	24.5R32	12	\$990
12.4R28	8	\$269	30.5LR32	16	\$1,290
13.6R28	8	\$300	14.9R34	10	\$450
14.9R28	8	\$290	16.9R34	8	\$415
16.9R28	8	\$369	18.4R34	8	\$439
16.9R26	10	\$490	18.4R38	10	\$490
18.4R26	10	\$589	20.8R38	8	\$590
16.9R30	8	\$379	18.4R42	10	\$549
18.4R30	10	\$450	20.8R42	10	\$590
13.6R36	8	\$325	14.9R46	10	\$625
13.6R38	8	\$375	12.4R46	10	\$590
15.5R38	8	\$385	18.4R46	10	\$690

1-800-548-1884 or 315-539-2764