

# Don't Neglect Chloride In Nutrient Management Of Wheat

NORCROSS, Ga. — Neglecting any of the controllable factors of production can be costly, especially when crop prices are good. Chloride is a plant nutrient that is frequently found in insufficient levels in wheat producing areas of the Great Plains and is often neglected in nutrient management. In most of the Great Plains, nitrogen and phosphorus are the only nutrients that are more likely to be insufficient.

Several symptoms of insufficient chloride in small grains have been identified by research conducted over the last 10 years. They include:

- Increased incidence of foliar

diseases such as rust, septoria, and tanspot

- Slower than normal reproductive crop development
- Premature death of the leaves
- Non-disease leaf spotting on some varieties
- Increased late-season lodging
- Reduced kernel weight and test weight

Chloride fertilization increases grain yield and grain quality. Besides increased tissue chloride, increased kernel weight and test weight are the most frequently observed effects of chloride fertilization. Test weight increases of 2 to 4 pounds per bushel are not uncommon. A recent research

summary of over 200 evaluations of wheat and barley fertilization with chloride showed response 48 percent of the time and an average response of 5.2 bushels per acre. Wheat responses have been as high as 18 to 20 bushels per acre for individual varieties and sites. These were exceptional cases, but they illustrate the response potential for this nutrient that just a few years ago was ignored completely in crop management.

Chloride fertilization should be considered in nutrient management plans for wheat. Muriate of potash (0-0-60 or 0-0-62) is potassium chloride and is the most common fertilizer source of chlor-

ide. Potash contains 47 percent chloride. Thus, an application of 100 pounds of material gives 47 pounds of chloride. Magnesium chloride is a liquid source containing 22.5 percent chloride that is compatible with nitrogen solutions. Considerable placement flexibility exists, with broadcast, band, and early topdressing giving equal response in most cases. However, excess water will move chloride from the root zone, making time of application more important under conditions of high leaching potential. Recommended rates vary by state and province but are generally

designed to bring the sum of soil chloride and applied chloride to a total of 30 to 60 pounds per acre.

"Leave nothing to chance" is a production philosophy shared by many successful producers. Neglecting chloride in nutrient management of wheat leaves the supply of this important nutrient to chance. The result may be reduced yield, lower grain quality, and decreased profitability.

For more information, contact Dr. Paul E. Fixen, Senior Vice President, PPI, 700 22nd Avenue, South, Brookings, SD 57006, (605) 692-6280.

## Farm Show Bus Trip

HONESDALE (Wayne Co.) — The Wayne County Cooperative Extension Office will be sponsoring a bus trip to the Pa. Farm Show on Tuesday, Jan. 14, 1997.

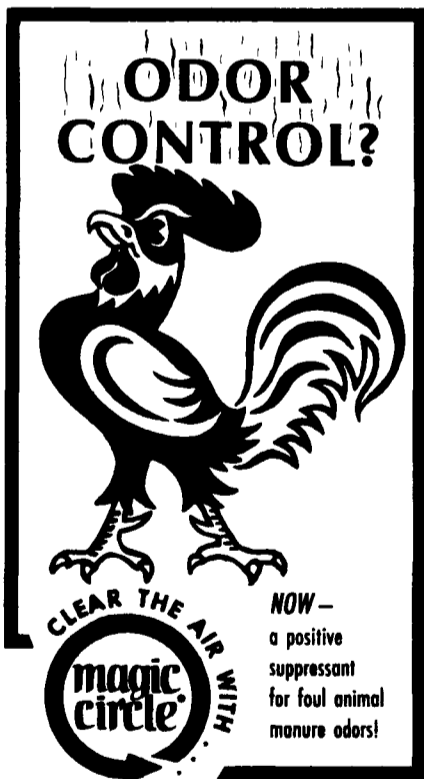
There will be two pickup locations, one in Honesdale and one in Hamlin. The bus will leave Honesdale at 7 a.m. from the Wayne County Courthouse.

The bus will then stop to load at approximately 7:15 at the McDonald's Restaurant in Hamlin. We will leave the Farm Show complex at 4:30 p.m. and return to Honesdale at approximately 7:30 p.m.

Your seat for the Farm Show bus can be reserved for \$15. Stop in at the Wayne County Extension Office located at the Wayne County Courthouse between the hours of 8:30 a.m. and 4:30 p.m. to pay for your seat.

Reservations cannot be accepted without payment. In case of inclement weather, probable snow date will be Thursday, Jan. 16.

For further information, please call the Extension office at 253-5970, ext. 239.



## DEODORIZER

a thousand uses in:  
POULTRY HOUSES, BARNs,  
STABLES, KENNELS, INSTITU-  
TIONS, SEWAGE PLANTS,  
REFUSE AREAS, etc.

Magic Circle Deodorizer is the first technically formulated, easy to use, heavy duty application that will positively alleviate foul odors.

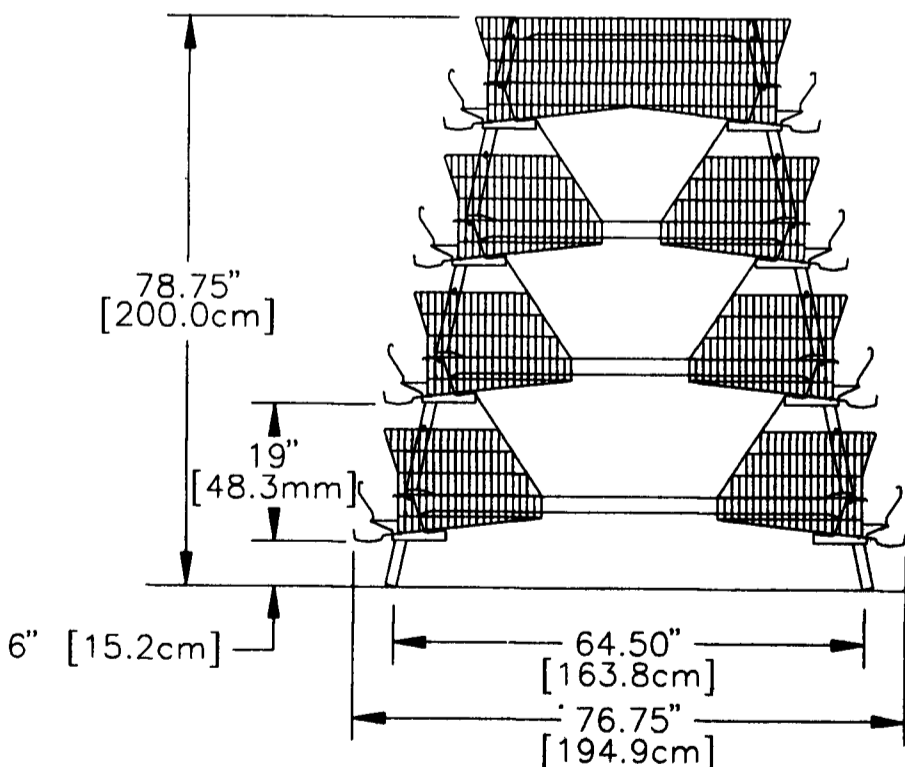
J.C. ENRLICH CHEMICAL CO., INC.  
500 SPRING RIDGE DR. • P.O. BOX 13848  
READING, PA 19612-3848 • (610) 372-9750  
TOLL FREE 1-800-488-9495

# THE PROFIT MACHINE

**235 EGGS**  
**2.97 CONVERSION, 60 WEEKS**



## Big Dutchman. CAGE PROFILE



FOR MORE INFORMATION CONTACT:

# HERSHEY

EQUIPMENT CO., INC.

Route 30 West at the Centerville Exit  
SYCAMORE IND. PARK 255 PLANE TREE DRIVE  
LANCASTER, PA 17603

(717) 393-5807 1-800-432-0988