

Patz®

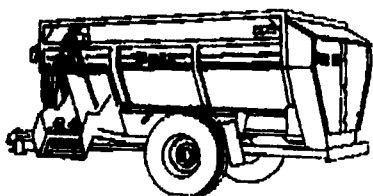
BARN & SILO EQUIPMENT

Patz will not be displaying at this year's PA Farm Show but please visit your local dealer to learn more about the full line of Patz equipment.

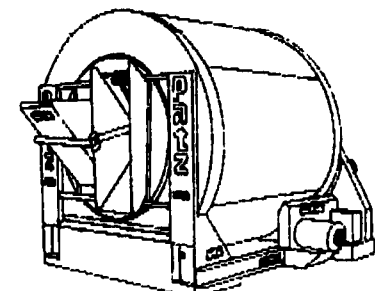
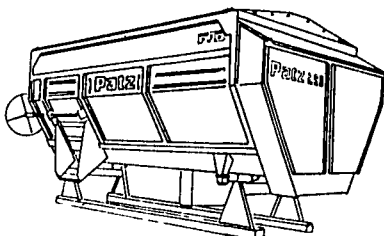
**Low Rate Financing
Up To 48 Months**

**Mixing T.M.R.
the Way
You Want**

Trailer mounted auger mixers



Stationary auger mixers

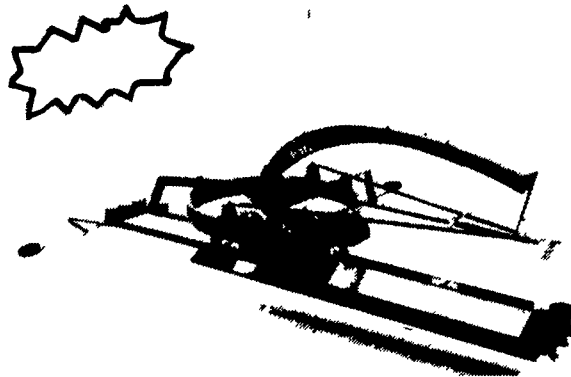


Tumble mixers

- Open-Top Mixers
- Tumble Mixers

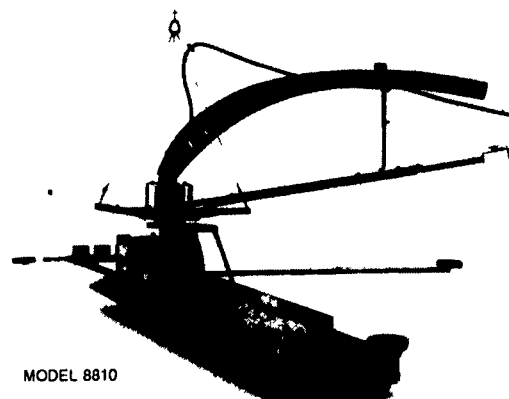
Model 8820

Ring-drive dual-auger silo unloader



Model 8810

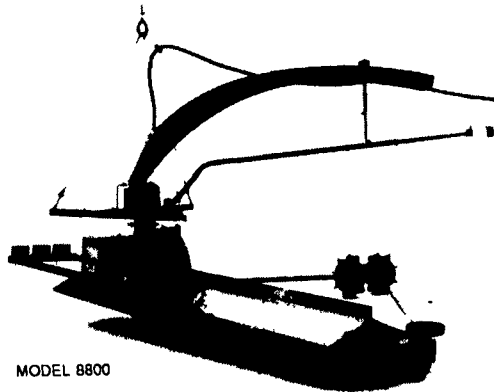
Dual-auger center-drive silo unloader with Patz quality



MODEL 8810

Model 8800

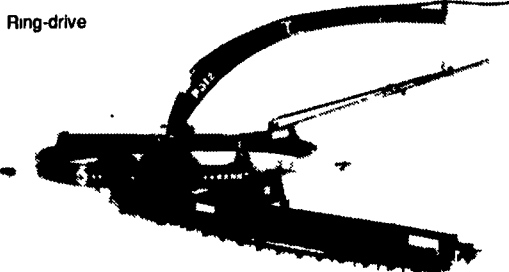
Dual-auger surface-drive silo unloader with Patz quality



MODEL 8800

Model RD-820

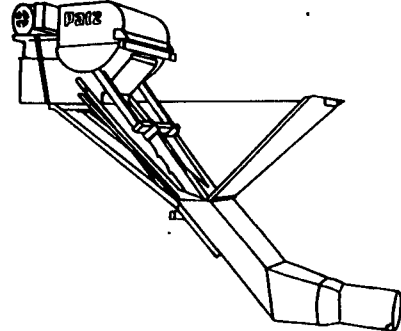
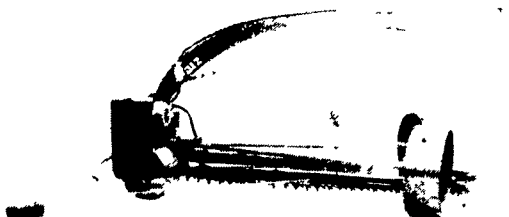
Ring-drive silo unloader



Ring-drive

Model 98C

Surface-drive silo unloader



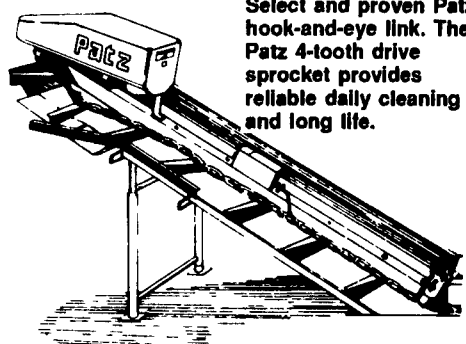
**Model 1512
Manure Pump**

For slurry manure



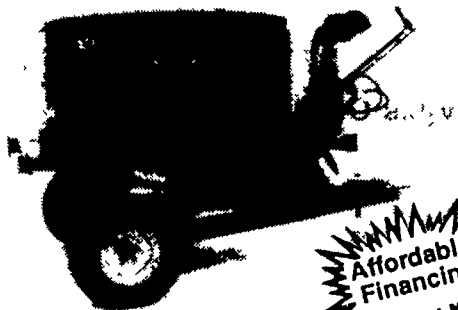
Proven-Dependable Gutter Cleaner

New Patz Chain Now Warranted For 15 Years!



Select and proven Patz hook-and-eye link. The Patz 4-tooth drive sprocket provides reliable daily cleaning and long life.

Bale Chopping Made Easy!



Affordable Financing

Patz SEE YOUR NEAREST DEALER

ALEXANDRIA
MAX ISENBERG
814-669-4027

BELLEFONTE
LUCAS BARN EQ.
814-383-2806

MECHANICSBURG
JOHN JONES
717-766-8582

QUARRYVILLE
UNICORN FARM SERVICE
James E. Landis
717-786-4158

HAGERSTOWN, MD
JRI-STATE FARM AUTOMATION
301-416-7340

POUND, WI
PATZ SALES, INC.
414-897-2251

DISTRICT MANAGERS:
Agri Bee Inc.
James Bilski, Pres.
814-696-9447
Fax 814-696-2606

BALLY
LONGACRE ELECTRIC
215-845-2261

BELLEVILLE
MILLER-LAKE Inc.
717-935-2335

MIFFLINTOWN
ZUG FARM & DAIRY EQUIPMENT
717-463-2606

SHIPPENSBURG
WITMER EQUIPMENT SERVICE
717-532-6139

KENNEDYVILLE, MD
PINDER SERVICE CO.
410-778-0799

James Smith
717-485-9585

BEDFORD
BENCE'S FARM EQUIP.
814-623-8601

LEBANON
CEDAR CREST EQUIPMENT
717-270-6600

ORANGEVILLE
FRANKLIN D. HESS FARM EQUIPMENT
717-925-6939

SOMERSET
GROVE EQUIP. SALES
Mark Knepper
Cliff Lynn
814-445-6306

WHITEFORD, MD
ENFIELD EQUIP.
410-838-0480



Gold Sponsor