

**Philadelphia
Potato**

**PHILADELPHIA
DECEMBER 31, 1996**
ONIONS AND POTATOES
--ONIONS DRY: MARKET ABOUT STEADY US#1 OR GENERALLY GOOD QUAL AND COND UNLESS OTHERWISE STATED. Yellow NV 50 lb sks jbo 8.50-9.00 UT 50 lb sks jbo few 8.50 Globe Type NY 50 lb sks med 5.50-7.00 matr cntr 20 2-lb meshks lge 7.00 med 6.00 Spanish Hybrid CO 50 lb sks jbo 8.50-9.00 mostly 8.50 fr cond 7.00-8.00 ID/OR 50 lb sks jbo 8.00-8.50 mostly 8.50 White NV 50 lb sks jbo 18.00 Red CD CDOne 25 lb sks jbo 6.00 ID/OR 25 lb sks jbo 6.00-7.00 NY 25 lb sks jbo 5.50-6.00 mostly 6.00 med 4.50-5.50 mostly 5.00 few 4.00
--POTATOES: MARKET STEADY US#1 SZ A WASHED OR BRUSHED UNLESS OTHERWISE STATED Russet Burbank CD Prince Edward Island 50 lb cns 90s 6.00 100s 5.50-6.00 ID 50 lb cns 50s 8.00 60s 8.00 70s 8.00-9.00 mostly 8.00 80s 8.00-9.00 mostly 8.00 90s 7.50-9.00 mostly 8.00 100s 7.50-9.00 mostly 8.00 Norkotah CD Prince Edward

Island 50 lb cns 70s 6.00-6.50 80s 6.00-6.50 90s 6.00-6.50 100s 6.00-6.50 WA 50 lb cns 70s 7.00 80s 7.00 90s 7.00 100s 7.00 WI 50 lb cns 70s 6.00-6.50 80s 6.00-6.50 90s 6.00-6.50 100s 6.00-6.50 Round Red CD CDOne 50 lb sks 6.00 sz B 10.00 MN/ND 50 lb sks 7.50-8.00 mostly 8.00 sz B 12.00-13.00 mostly 12.50 few 14.00 NY 50 lb sks 6.50 sz B 9.00-10.00 Round White CD Prince Edward Island CDOne 50 lb sks 4.75-5.00 mostly 5.00 lge 5.00-6.00 DE 50 lb sks 3.00-3.50 LI 50 lb sks 4.00-4.50 lge 4.75 NJ 50 lb sks lge 4.50 PA 50 lb sks lge 4.50

**Carlisle Livestock
Market**

Carlisle, Pa.
Tuesday, December 31, 1996
Report Supplied by Auction
SLAUGHTER STEERS: NO HIGH CHOICE AND PRIME OFFERED. CHOICE 69.00-71.75; SELECT AND LOW CHICE 64.00-68.75; LIGHTS 53.00-63.00.
HOLSTEINS CHOICE 53.75-57.25, COUPLE SELECT 44.25-53.00.
HEIFERS: CHOICE 67.00-69.00.
SLAUGHTER COWS: BREAKING

UTILITY AND COMMERCIAL 35.75-40.00; CUTTER AND BONING UTILITY 30.00-36.75; CANNER AND LOW CUTTER 23.75-29.75; BIG MIDDLE 32.00-35.00; SHELLY 23.50 AND DOWN.
BULLS: 1200-1850 LBS. 35.00-39.00.
CALVES: VEALERS STANDARD AND GOOD 20.00-30.00; RETURNING TO FARM, ACTIVE/ HOLSTEIN BULLS #1 95-115 LBS. 78.00-92.00; #2 85-140 LBS. 50.00-76.00; HOLSTEIN HEIFERS #1 85-125 LBS. 82.50-115.00.
SWINE: HOGS 220-270 LBS. 52.50-53.25; SOWS US#1-3 300-600 LBS. 43.00-53.25; THIN/WBAK/ROUGH 38.00-42.00; BOARS ALL WEIGHTS 37.50-41.00.
GOATS: LARGE NANNIES/WEATHERS 65.00-86.00; FLESHY KIDS 40.00-55.00; SMALL/THIN KIDS TO 37.00.
SALE EVERY TUES. 5 P.M. FOR PRODUCE, RABBITS, POULTRY AND EGGS 6:30 P.M. FOR LIVESTOCK. STARTING WITH CALVES, THEN LAMBS, SHEEP, PIGS, FEEDER CATTLE, BOARS, BULLS, FED CATTLE, COWS, HOGS, SOWS.
NEXT SPECIAL FEEDER/FED

CATTLE SALES HELD TUES., JAN. 7 AND 21.
EARLYBIRD PENS FOR CATTLE, COWS AND HOGS CLOSE EVERY TUES. AT 2 P.M. FOR PREMIUM PRICES, USE THESE PENS.
PEN LOTS OF CATTLE WILL BE SOLD IN ORDER RECEIVED.
NEXT STATE GRADED FEEDER PIG SALE FRIDAY, JAN. 10 AND 24. RECEIVING 7-11 A.M. SALE TIME 1:30 P.M.
HATFIELD'S TOP PRICE FOR CASH HOGS WED., DEC. 31 WAS 54.00.

**Pennsylvania
Livestock**

WAYNESBURG, PA
JANUARY 2, 1997

CATTLE:
SLAUGHTER COWS: Utility & Commercial 30.00-38.50; Cutter & Boning Utility 24.00-28.00; Canner & Low Cutter 18.00-25.00; Shells 18.00 and down.
BULLS: Yield Grade 1 1500/2000 lbs, 33.00-40.00; Yield Grade 2 1000/1400 lbs, 28.00-36.00.

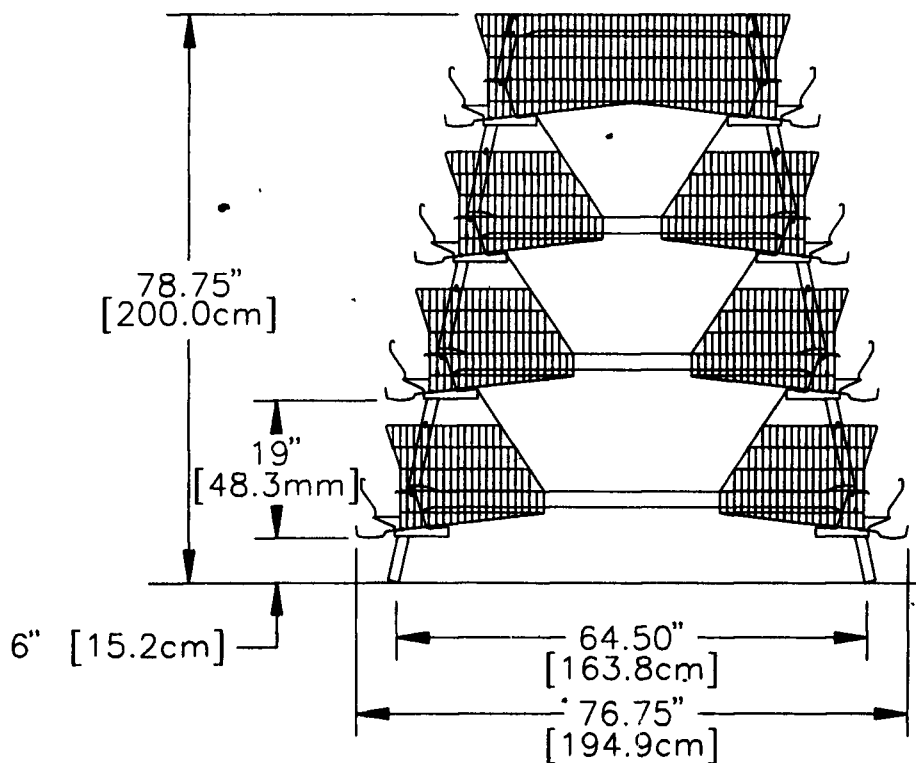
FEEDER STEERS: M&L 1 300/500 lbs, 40.00-70.00; 250/280 lbs, 48.00-66.50; M 600/900 lbs, 43.50-55.50; HEIFERS: M 1&L 1 300/500 lbs, 35.00-50.00; L 1 400/650 lbs, 38.00-42.00; BULLS: M&L 1 300/620 lbs, 32.00-53.50.
CALVES: Veal: Prime 40.00-55.00; Choice 38.00-50.00; Good 35.00-48.00; Farm Calves: #1 Holstein Bulls 90/120 lbs, few 35.00-50.00; #2 Holstein Bulls 80/100 lbs, few 20.00-40.00; Beef X Bulls & Hfns/Hd 20.00-55.00.
HOGS: Barrows & Gilts: #1-2 210/255 lbs, 52.00-60.00; #2-3 255/280 lbs, 47.00-56.00; Sows: #1-3 300/500 lbs, 30.00-48.00; Feeder Pigs: 1-3 15/20 lbs, 5.00-17.00/hd; 1-3 25/35 lbs, 10.00-30.00/hd.
LAMBS: High Choice 80/100 lbs, 90.00-105.00; Choice 70/90 lbs, 90.00-105.00; Feeder Lambs: Good 70.00-100.00; Sheep 15.00-48.00; Fat Sheep 30.00 and down.
GOATS: Large 60.00-151.00/hd; Medium 30.00-60.00/hd; Small 5.00-40.00/hd.
HORSES: Horse 42.00-61.00; Ponies 20.00-44.50.

THE PROFIT MACHINE

235 EGGS
2.97 CONVERSION, 60 WEEKS



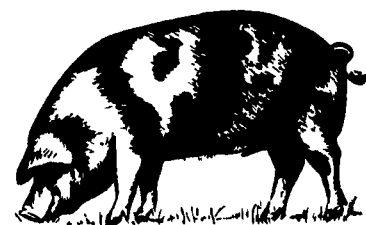
**Big Dutchman
CAGE PROFILE**



FOR MORE INFORMATION CONTACT:



Route 30 West at the Centerville Exit
SYCAMORE IND. PARK 255 PLANE TREE DRIVE
LANCASTER, PA 17603
(717) 393-5807 1-800-432-0988



Forney Longenecker
Vice President/Financial Consultant
Commodities

SMITH BARNEY 717-295-8914
800-441-1997

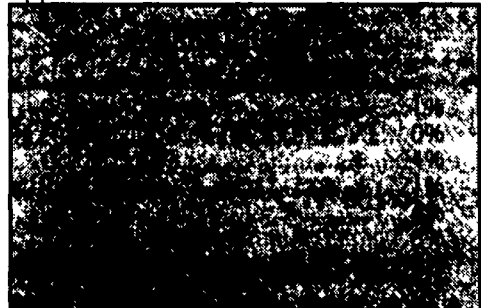
A Member of *TravelersGroup*
SMITH BARNEY INC.
29 East King Street
Suite 200
Lancaster, PA 17602-2852

PARADISE SALES BARN
where you get the most for your tobacco
**11th Anniversary of The
Tobacco Auction!**

Sale Dates:
Mon. (1/6); Wed. (1/8);
Fri. (1/10) Each Day - 10 AM
Receiving Dates:
Mon. - Wed. - Fri : 7-Sale
Tues. - Thurs. 7-4
Sat.: 7-Noon

**Farmers For Giving Us
Like To Sell Your Tobacco**

"Farmers"
Why is Lancaster Co., PA tobacco crop worth less than MD crop? Our auction has been in business 11 years and still did not reach MD auction price Year after year, MD gets near to \$2/lb We at Paradise Tobacco Sale feel sure that if all tobacco grown in Lancaster Co was sold at auction, buyers would get the same amount of tobacco and could send it south at less cost
How can we give the buyer at Paradise more tobacco if we get less each year? Also, our charges at warehouse are so low we get no competition to these rates. Seems there are farmers that feel we need option and country buyers We at Paradise Sales Barn will do whatever it takes to save our marketplace We need tobacco to make it happen.



We will Sell Type 41 Tobacco at Auction!
Call Mitch for trucking
Mitch Ashby, auctioneer AU002616-R
717-687-0990