

OLIVER CRAWLER PARTS
HG, OC-3, OC-4, OC-6 Our Specialty



ZIMMERMAN
OLIVER-CLETRAC

1450 Diamond Station Road, Ephrata, PA 17522
717-738-2573

We Ship UPS Daily
Monday To Friday 7 A.M.-5 P.M.
Evenings and Saturdays By Appointment

TOBIAS EQUIPMENT CO., INC.

Hallfax, PA 17032
Phone: 717-362-3132



NEW EQUIPMENT IN STOCK

- | | |
|-----------|---------------------|
| 930 MoCo | 750 No-till Drills |
| 920 MoCo | 810 SOLD FWD |
| 6400 MFWD | 64 Hay Rake |
| 7210 MFWD | 820 MoCo |

CLEARANCE SPECIALS

AG 195 **SOLD**
AC 877 w/Loader **SOLD**
AC 894 w/Loader **SOLD**
JD 2750 4WD w/Cab **SOLD**
Ford 800 2WD w/Loader **SOLD**
JD 2200 **SOLD**

USED GARDEN TRACTORS

- | | |
|---|---------|
| JD 318 w/46" mower & 54 blade | \$3,950 |
| JD 445 w/54" mower, 240 hrs | \$7,300 |
| Snapper 12LT w/blade | \$725 |
| JD 318 w/50" mower | \$4,500 |
| JD 170 w/ 38" mower | \$1,995 |
| JD 425 SOLD del steer w/54" mower, low hours | \$7,500 |
| Kwik Way loader for JD 400 series garden tractor, new condition | \$2,300 |

USED COMBINES

- | | |
|---------------------------|-----------------|
| JD 6620 Side Hill | Coming In |
| JD 693 Corn Head | Coming In |
| JD 9500 4WD | \$75,000 |
| JD 443 Corn Head | \$3,800 |
| JD 494 4R, 2 years old | \$13,500 |
| JD 444 Corn Head, Low Tin | \$4,800 |
| JD 244 Head | \$1,800 |
| (3) JD 215 Flex Head | Choice, \$5,500 |
| JD 4400 Combine Diesel | \$4,500 |

WINTER CLEARANCE SALE

- | | |
|---|----------------------------|
| 2R Oliver Potato Planter | \$700 |
| JD 210 Disc | \$1,575 |
| JD KBA, 13' Disc | \$1,800 |
| NH 16' Forage Box w/Tandem running gear, 3 beaters & roof | \$3,500 \$3,900 |
| NH 479 Haybine | \$2,200 |
| JD 483 Haybine | \$500 |
| JD 1209 Mower Conditioner | \$1,200 |
| NH Model 411 discbine | \$7,500 |
| AC 16' Wing Fold Field Cultivator | \$1,895 |
| JD 16A Crop Chopper | \$1,875 |
| JD 7000 Conservation 12R w/Liquid Fertilizer | \$7,500 |
| JD 494 4R planter | \$575 |
| Oliver 4R Corn Planter | \$500 |
| Ford 4R No-Till Corn Planter w/Monitor | \$1,900 |
| JD 35 Forage Harvester | \$1,500 |
| JD 2R 30" Corn Head | \$1,200 |
| (2) JD 653A Row Crop Heads | \$2,000/pair |
| Amco TJ3 Terrace Disc | \$2,500 |
| Oliver SOLD hutt Model 246 12' chisel plow | \$1,000 |

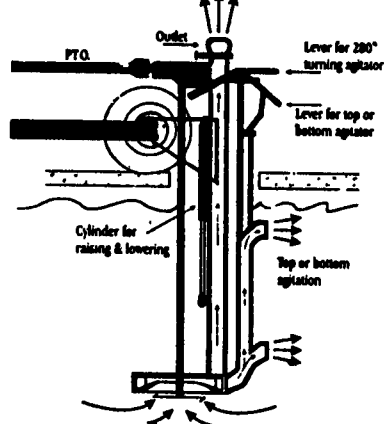
MISCELLANEOUS - USED

- | | |
|--|---------|
| Haban 3pt 5' Sickle bar mower | \$1,500 |
| Haban 4' Sickle Bar Mower, ideal for Compact Tractor | \$800 |
| JD 380 Blade, fits 755, 855, 955 Compact Tractors | \$875 |
| NI 555 Baler w/Ejector | \$3,000 |
| NH 271 Baler w/ Thrower | \$2,200 |
| JD 336 Baler w/ ejector | \$3,900 |
| NH 450 9' Sickle Bar Mower | \$1,500 |
| JD 8250 18x7 Grain Drill | \$1,750 |
| JD FBB Double Disc Drill w/Fertilizer | \$1,750 |
| JD 875 4R Minimum Till Cultivator, Like New | \$3,850 |

JANUARY SPECIALS

- | | |
|--|----------------------------|
| NEW Ficklin gravity wagon, 190 bu., w/8-ton running gear | \$2,350 |
| Ford 60" 3 pt. fall mower, never used | \$2,300 |
| NH 400 Bu. Manure Spreader w/end gate | \$5,000 |
| Landpride 48" Over Seeder | \$5,000 \$4,000 |

Liquid Manure Pit Pumps



- Available 6-8-10-12 ft.
- Hydraulic lift
- Trailer mounted mobility
- Simple controls
- Dual agitation

- Deutz 100-06 Tractor, engine completed, rebuilt.....\$7,800
- IH 826 Tractor w/cab.....\$7,800
- 1066 Tractor, Black Stripe, 4100 Hrs, excellent\$12,900
- CIH 585 Tractor, Super Sharp.....\$10,500
- MF 65 Tractor, Diesel, Engine Completely Rebuilt, Painted.....\$5,400
- NH 454 Skid Loader (gas).....\$8,500



MILLER'S REPAIR

1 Mile North of Bird in Hand
8 Miles East of Lancaster
Ph. 717-656-6109

Your Need Is Our Challenge!

TRACTORS

- JD 8100 Demonstrator Less Than 100 Hours
- JD6400, 4WD w/640 Front End Loader
- * JD 4040 **SOLD**
- * JD 2020, Gas
- * JD 1070 Compact, 2WD
- * Case 9170, 3,700 Hrs.

COMBINES

- * JD 9600, 1990, Heavy Duty Drive & Duals
- JD 1995 9500 4WD w/693 Corn Head w/920 Flex Head
- JD 1995 9400 2WD, 131 Hours w/920 Flex Head
- JD 1994 9600 4WD 355 Hrs., w/Duals
- * JD 6600, 1978, 2,786 hrs.
- * NI 311, 2 Row Corn Picker w/314 Sheller Attachment
- * (2) JD 915 Flex Platform, Excellent Condition
- * JD 643 w/Poly Snouts
- JD 644 Corn Head
- * JD 220 Flex Head
- * JD 216 Flex Head
- JD 215 Platform

Coming In

- * JD 1990 9600 4WD w/893 Corn Head
- JD 1994 9600 4WD w/1220 Hrs.

PLANTERS

- * JD B Grain Drill, 24x7
- JD 7200 6 Row Planter, Liquid Fert.
- JD 7000 6 Row Planter, Dry Fert.
- JD 7000 8 Row Planter, Liquid Fert.

HAY & FORAGE

- * JD 3960 Forage Harvester w/ 3RN Head
- * JD 348 Baler
- * NH 479 9' Haybine
- * NH 451 Pull Type Sickle Bar Mow **SOLD**
- JD 36' Hay Elevator

MISCELLANEOUS

- * JD 400 15' Rotary Hoe
- * JD 215 14' Disc
- * Bush Hog 15' Batwing Mower
- Woods 20' Batwing Mower
- * Woods 15' Batwing Mower, Excellent
- * Ferguson 14' Chisel Plow
- Brillion 20' Field Cultivator
- JD RM8 Cultivator

BLOWOUT SALE

Must Move!

- JD 435 Round Baler
 - JD 825 Mower Conditioner
- Bargain Prices!**

GOOD DEALS AND GOOD DEAL MORE!

W.N. COOPER & SON, INC.

Morgnec Rd. Rt. 282
Rt. 291 Cecilton, MD
Chestertown, MD 410-275-2195
410-778-3464 *Cecilton Location

QUALITY USED EQUIPMENT

New Woods D80 Rotary Cutter,
Reg. \$4,200 Sale \$3,500

- JD 650 w/mid mount mower
- Troy-Bilt Chipper Vac, like new
- Walk Behind Snow Blowers:
- JD TR226 **SOLD**
- Honda 826 track
- JD 317 w/Onan Engine, like new
- JD 285 w/mower
- JD 240 w/mower
- LX178, like new
- Kubota **SOLD** 4WD w/snow thrower,

- INT: 1456; 1086 w/Cab;
- 1066 Black Stripe; 1066;
- 966 w/Cab; 966; 886
- w/cab; 884 w/loader; 856;
- 784 w/Cab; 786; 695
- 4WD, w/cab & loader; 686
- w/cab; 666; 656 w/loader;
- 595 4WD w/loader; 585
- 4WD w/loader; 585
- w/cab & loader 560; 385,
- 4 WD
- JD 3155, Cab, 4WD; 4320;
- 2550 4WD w/loader;
- 2555, 4WD w/loader;
- 350C Dozer; 650 4WD
- w/mower; Bobcat 743
- skid steer; Cat Forklift

New Farmco Hay Wagons
Farmco feeders,
Walton Tedders
Hurst Trailers

From LEADER'S FARM EQUIPMENT

Everett, PA
814-652-2809

Closed Sundays & Mondays

All Types Of Farm Equipment
Call before you come

MASSEY-FERGUSON
Where farmers ideas take root

- Ford 1715 4WD, 100 hrs
- Ford 7740 4x4
- IH Cub w/attachments
- Ford 8730, 4WD, 1500 Hours, Excellent Condition
- Ford 9700, Cab
- Ford 545A tractor loader, 300 hours
- Hesston 6450 SP Windrower
- NH 40 blower
- NH 668 left hand tank spreader
- MF 10 baler
- NH 850 round baler
- Gehl CB 400 Harvester w/ 2 heads
- Woods Cadet 72 3 pt Mower
- Woods C80 Rotary Cutter
- NI 290 Mower Conditioner
- NH 155 Manure Spreader



NEW HOLLAND SCHREFFLER EQUIPMENT

Pitman, PA
717-648-1120
717-648-1811



FARMING PRESS VIDEOS

with
DYLAN WINTER

COMBINE VIDEOS & BOOK

NEW VIDEO! THE TWO THOUSAND MILE HARVEST. Every year, ten of the world's largest combines follow the grain harvest for a five month journey from Texas over the heartland of the U.S.A. to Lethbridge, Alberta. The crew of eighteen show what life on the road is like through their working days - coordinating moves from site to site, coping with the machinery on a grand scale, progressing with humour and ingenuity through the unpredictable and evocative midwestern landscape. This is the ultimate harvester's road movie. VHS. Colour. 60 minutes. \$34.95.

NEW VIDEO! CLASSIC COMBINES Viewers both young and old will enjoy watching 150 years of harvesting grain, from the days of the scythe to the satellite. Covers Claas, International Harvester, John Deere, New Holland & many more makes. See machinery in full action. VHS. 60 minutes. \$34.95.

WORLD HARVESTERS Book from McCormick's 1831 reaper to the computerized mobile machines of today. Complete details about manufacturers & technical aspects are covered. Covers models from U.S.A., Canada, Britain, Australia. Most detailed book available. 79 colour, 60 b&W photos. 112 pgs. hardcover. \$29.95.

SPECIAL! Both above videos plus book, reg. \$99.85 value for \$79.85

1997 FARM EQUIPMENT GUIDE

BLUE BOOK FOR FARM MACHINERY: Covers tractors, crawler tractors, combines, corn & bean heads, windrowers, balers, planters, spreaders and skid loaders. Pricing: Average auction prices, gives the low, high, retail price, new list price and loan values. Covers most old & new models from 1912-1996. SPECIFICATIONS: Weight, HP, CID, Fuel, no speeds. D-E Drawbar engine, etc. SERIAL NUMBERS: Learn the actual model year of equipment and locations. Also list companies selling hard-to-find parts, plus salvage yards. If you are thinking of buying or selling, evaluating, repairing and identifying farm equipment, this book will save its cost many times over. Large 2 volume set, 1626 pgs. Softcover. \$35.95

NEW! FREE! 1997 FARMING PRESS BOOK AND VIDEO CATALOG NOW OVER 400 ITEMS AVAILABLE!

For exciting detailed information, visit us on the internet:
<http://www.diamondfarm.com>

MASTERCARD, VISA, CHECK, C.O.D.

Shipping & Handling, \$4.50 per Shipment

DIAMOND FARM BOOK PUBLISHERS

Dept. LF Box 537, Alexandria Bay NY 13607
Phone (613) 475-1771 • Fax (613) 475-3748

ORDER BY MAIL OR TOLL-FREE PHONE

1-800-481-1353 (MON-FRI 8-5 E.S.T.)

STANLEY'S FARM SERVICE

RD Box 46
Kilgerstown, PA
717-648-2088

WE ALSO STOCK
NEW VICON