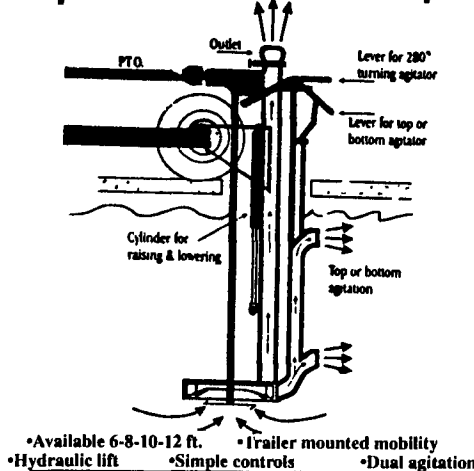


Liquid Manure Pit Pumps



• Available 6-8-10-12 ft. • Trailer mounted mobility
 • Hydraulic lift • Simple controls • Dual agitation

- Deutz 100-06 Tractor, engine completed, rebuilt.....\$7,800
- IH 826 Tractor w/cab.....\$7,800
- 1066 Tractor, Black Stripe, 4100 Hrs, excellent\$12,900
- CIH 585 Tractor, Super Sharp.....\$10,500
- MF 65 Tractor, Diesel, Engine Completely Rebuilt, Painted.....\$5,400
- NH 454 Skid Loader (gas).....\$8,500



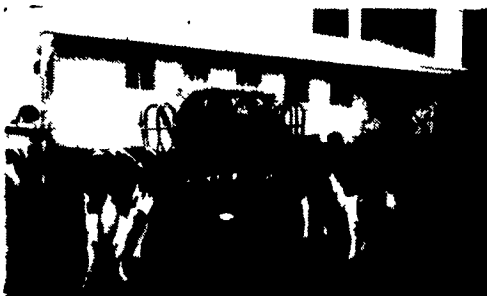
MILLER'S REPAIR

1 Mile North of Bird in Hand
 8 Miles East of Lancaster
 Ph. 717-656-6109

INH 472 HAYBINE

1 year old, ex. condition,
 Come & See, Must Sell!

410-472-3272



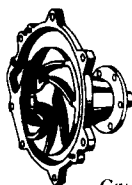
J & L Hay-Saver Feeds 20 Cattle

New, improved, round hay-bale feeder feeds large or small hay bales along with square bales. University proven hay savings. This feeder is built of heavy 1 1/2" pipe and 1/4" steel for ring. Available with 1/4" steel or treated 3/4" plywood floors. This 1,200 lb. feeder is built to last.

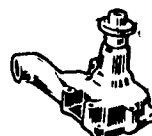
J&L Equipment

RR 3, Box 53B
 Stoystown, PA 15563
 814-893-5086

Spring Garden Repair



Isaac S. Stoltzfus
 145 Spring Garden Road
 Kinzers, PA 17535



Gas & Diesel Engine Rebuilding
 Cast & Aluminum Head Rebuilding & Welding
 Block Boring & Steering
 Flywheel Grinding
 Engine Parts
 Tractor Pistons & Sleeve Kits
 Rebuilt Tractor Heads
 New & Rebuilt Water Pumps



1979 4400 JD diesel combine, 10 tin, 4R head
 Excellent 725 3RN head & 727 husker, not a lot of money!
 NI 815 bean table, nice
 740 & 741 Quicktatch throats
 IH 843 4x30 corn head
 (2) sets of 20.8x38 clamp on duals w/Rice & Cane rubber
 NI 858 sheller, the big twin rotor model with 6R or 4R head

NEW IDEA UNI

709's, 2-wheelers, 4 wheelers
 Huskers 839, 737, 838, excel. \$2,500
 Corn Heads
 717 Combines
 708 2-Wheeler
 Most Anything In Parts!

R.B. Leaman
 717/399-4037

Best Buys in Used Equipment

TRACTORS

- | | | |
|-----------------|-----------------------------|----------------------|
| IH 706 | JD 2940 | CIH 1835B Skid Steer |
| IH 4586, 4WD | JD 4640 | CIH 7140, 1100 hrs |
| IH 4366 | Case 2090 | CIH 1845C Skid Steer |
| IH 666 | Case 2670 | Oliver 1850 |
| IH 560 w/loader | CIH 585 w/ Loader | Steiger 210 |
| IH 3688 | CIH 5130, MFD | White 2-105 |
| IH 484 W/loader | CIH 5230, 2WD | Farmall H |
| IH 574 w/loader | CIH 885, 4x4, cab, 1600 hrs | Farmall M |
| IH 504 | CIH 7120, 2WD, 1500 hrs | Deutz DX-130A |
| IH 3588, 4WD | | Oliver 1800 |
| JD 4020 | | |
| JD 4030 | | |

DISCS

- | | | |
|--------------|------------------------|-----------------|
| (2) KR 1966 | KR 1927 | White 256, 14' |
| KR 2413 | IH 770, 21' | Midland 20 |
| KR 4968 | IH 496, 30' | Ford 18' |
| KR 1924 | IH 490, 25' | Ford 222, 16' |
| KR 1916 | (2) JD 330, 25' | Pittsburgh, 16' |
| (2) KR 4966 | JD 235 | AC 2500 C |
| KR 4979, 34' | Case KB23B | AC 2600, 22' |
| KR 1591, 18' | CIH 496, 24', 20', 23' | MF 820, 26' |
| KR 2416 | | MF 620, 19' |
| | | MF 620, 24' |

COMBINES

- | | | |
|-------------------------|---------------|------------------------|
| CIH 1680, 2WD, 2219 hrs | (2) CIH 2188 | JD 4400 |
| CIH 1680, 2WD, 2561 hrs | IH 1480, 2WD | JD 7720 |
| CIH 1680, 1301 hrs | IH 1480, 4WD | JD 8820, 4WD, 2825 hrs |
| CIH 1680, 4WD, 2205 hrs | IH 1460, 4 WD | MF 550 |
| CIH 1688, 2WD | IH 1440, 4WD | MF 750, 2514 hrs |
| CIH 1640, 2WD | IH 1460, 2WD | AC L-3 |
| CIH 2166 | IH 815 | AC M-2 |
| | JD 6620 | |

CHISEL PLOWS

- | | |
|---------------------------|-------------------------|
| JD 22' Chisel Plow | IH 55 Chisel Plow |
| JD 12' Chisel Plow | IH 14' Subsoiler |
| JD 100 Chisel Plow | KR 12' Chisel Plow |
| (2) KR 4320A Chisel Plows | BR 7 Shank Subsoiler |
| SF 27' Chisel Plow | Clark 12' Chisel Plow |
| SF 4010-7 Subsoiler | Ferguson 9' Chisel Plow |
| AC 13' Chisel Plow | |

PLOWS

- | | |
|--------------|---------------|
| IH 720, 8x18 | Case 7 Bottom |
| CIH 145 | JD 145 6x16 |
| CIH 720, 1X | MF 880, 7x16 |

MISC. TILLAGE

- | | |
|-------------------------|---------------------------------|
| BR 12' Cultmulcher | BR 16' Packer |
| BR 12 Row Cultivator | IH 15R Cultivator |
| BR 23 Cultmulcher | KR 4616 F3 16R Cultivator |
| JD 950 Cultmulcher, 15' | KR 6118 Landsman |
| JD 15' Fld. Cult. | KR 3131 Landsman |
| JD 26' Fld. Cult. | BR 23' Packer |
| JD 6RN Cultivator | BR 28' Packer |
| JD 960 30' Fld. Cult. | BR 30' CF Packer |
| JD 15' Cultmulcher | BR 34' CF Packer |
| WR 28', 24' Fld. Cult. | BR 36' CF Packer |
| DA V1250P Fld. Cult. | BR 36'N Packer |
| DMI 14.5' Fld Cult. | BR 21' CF Packer |
| DMI 15' Crumbler | DL 30' CF Packer |
| AC 8 Row Cult. | UM 4', 31', 35' Rolling Baskets |
| IH 4500 18' Fld. Cult. | Landoll Tillall 875 Landsman |

DRILLS

- | | | |
|------------------|---------------------------|----------------|
| GP 30', Conv. | JD 8300 | CIH 5300, 24x6 |
| GP 24' Conv. | HB 1206 | MF 12' Drill |
| (2) GP 30' NT | IH 5100, 12' | CIH 5100, 24x6 |
| JD 750, 15', 10' | IH 5100 Drill, 24x6, 21x7 | |

MISCELLANEOUS

- | | |
|-----------------------|---|
| AC 333 Planter, 11x15 | Woods 208 Mower |
| AC 333 Planter, 6 Row | JD 27-15' Shredder |
| JD 400 Rotary Hoe | Bush Hog DM80 Mower/FMC Application AS-SA 1000 Gal. Sprayer |
| Badger TA54 Blower | IH 1190 Mower Cond. |
| NH 320 Baler | IH 8R Rotary Hoe |
| NH 469 Mower Cond. | (2) Kinze 6R Planter |
| NH 489 Haybine | NH 575 Baler |
| CIH 900 Planter | NI 2 Row Corn Picker |
| CIH 8545 Baler | |
| Rhino FS-15 Mower | |
| Rhino 15' Mower | |

'96 CLOSEOUT SALE



Case IH 4210, 62 HP, 2 WD, ROPS, Rental Unit, Reduced, Trade ins Always Considered



Maxxum 5220 with Loader, 80 HP, MFD, Cab, Demonstrator, Beat The New '97 Prices



Maxxum 5230, (NEW) 90 HP 2WD/ROPS, New With Lots Of Options Included, Extra \$1,000 Discount For Your December Purchase



Case 570L Loader, 4WD, Cab, 1 Yd. Bucket, New Unit in stock - Under \$40,000 Demo Unit Reduced \$5,000



Case 1838 Unloader, 46 HP Diesel, Demonstrator w/Extras (Snow Plow Not Included) \$15,500



Case IH 3800 Disk Harrow, 18' Cushion Gang (Demonstrator) \$10,900 14' Model - \$6,795



'86 Case 580E Loader Backhoe, 4WD, Canopy \$17,500



Massey Ferguson 50C Industrial Tractor Loader, Cab, 3 Pt. Hitch, No Pto, Good Condition



New Idea 5209 Disc Mower Conditioner 9'3" Cut (New) 0% Financing @ 26 Month



Case IH Subsoiler, (NEW) 5 Shank Auto Reset, Below Invoice \$5,500



Case IH Cultivator (NEW) 4 Row Adjustable Below Invoice \$1,850



Gehl 1475, High (NEW) Moisture Baler, 4x6 Bales, 0% FINANCING



White New Idea, 4 Row Narrow Corn Planter w/Fertilizer, Etc. \$Reduced



New Idea Slurry Spreader, 2200 Gallon Demonstrator \$12,000



Deutz Allis (Used) Round Baler, 5x6 Soft Core, Good Condition, Reduced To \$3,900

A.L. HERR & BRO., INC.

310 PARK AVENUE, QUARRYVILLE, PA 17566 • (717) 786-3521



(302) 378-9555 1-800-341-4028