

MANURE SPREADER
GEHL 175, 2 beater,
endgate, vinyl floor,
\$1,400. 410-833-9091

MANURE SPREADER IH
540 w/gate, ready to work,
\$750. 410-833-9091

MANURE SPREADER NH
675, tandem w/gate, field
ready. \$1,000.
410-833-9091

MANURE SPREADER NI
Flail, \$350. 410-833-9091
MANURE SPREADER NI
244, tandem, \$600.
410-833-9091

Manure Spreaders: NI
ground drive. Large Selection.
Buy, Sell, Trade, Repair.
Free Local Pickup & Delivery.
Lancaster County. 717/786-3387.

MM tractor service and
parts, reconditioned parts
available. We buy, sell and
trade MM tractors. Pleasant
Pequea Power. (717)464-4461 Mon or
Thurs. 7-7:30am

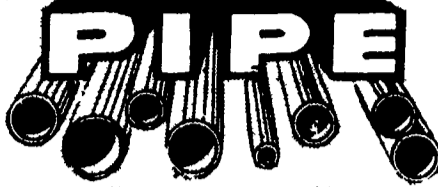
Need a 9500 Deere? Call
the "Combine Man" from
Indiana. Larry Stalter
1-800-248-2151

Need a grain dryer or grain
cart? Call Larry Stalter
"The Combine Man"
1-800-248-2151

New Farm King 8' double
auger hydraulic chute
snowblower, \$2700.
717-867-5633.

H. SCHWARTZ & SONS, INC.

STEEL



STALLS, PENS, FEEDERS, FENCING,
BUILD YOUR OWN AND SAVE

BEST PRICES ON NEW AND USED PIPE
302-656-0276 or 215-331-4240

OLIVER CRAWLER PARTS
HG, OC-3, OC-4, OC-6 Our Specialty



ZIMMERMAN
OLIVER-CLETRAC
1450 Diamond Station Road, Ephrata, PA 17522
717-738-2573

We Ship UPS Daily
Monday To Friday 7 A.M.-5 P.M.
Evenings and Saturdays By Appointment

Martin's Tractor Parts

866 Greenspring Rd
Newville, PA 17241

Used Tractors: Oliver 1655, \$5,300; Case
300, \$1,200; Oliver 1650, \$2,800; IH Super H
w/live hyd. \$2,300

Used Tractor Parts
Most Makes and Models
Have Large Selection

Recent Arrivals: Case 1370; AC 180; IH 966; JD 4030; IH
766; MM G950; MM U302; Ford 8000; IH 806; IH 200; JD
720; MM M5; JD 50; JD 520; JD 420; Oliver 66; JD 3020;
IH 766; JD 4020; JD 2510; JD 820; IH B275; Oliver 1650;
Case 500; IH 504; JD 4520; JD 430; AC XT 190; IH 766

Call (717) 776-7542 or 6057
(717) 776-7327 Fax
for detailed information

MON-FRI 8-5 SAT 8-12
No Sunday Calls Will Ship UPS
No Out-Of-State Personal Checks

**SICO REALIZES YOUR
LIVELIHOOD DEPENDS ON
QUALITY PRODUCTS
THAT KEEP YOUR FARM
EQUIPMENT RUNNING
EFFICIENTLY**



ULTRACLEAN IS FORMULATED WITH
POWERFUL DISPERSANTS AND
DETERGENTS TO PROMOTE FUEL
EFFICIENCY

FREE LOANER TANK PROGRAM
TO REDUCE YOUR ENVIRONMENTAL RISK

HOME HEATING OIL & GASOLINE

CALL (800) 984-1411 FOR DETAILS



**YORK COUNTY FARM &
INDUSTRIAL EQUIPMENT
CO., INC**

Box 222 EMIGSVILLE, PA
(717) 764-6412 OR (717) 764-5115



THINK SNOW Equipment Sales
Weekly Featured Item
Ford 5610

TRACTORS WITH LOADERS

Case 1835C Unloader
JD 302A
MF 255 w/OT loader
Kobelco articulated payloader

MISC.

New Tractor Chains in Stock
Woods SB60 Snowblower
Woods 84" 3 pt Snowblower
Woods 96" Snowblower

LOADERS FOR VARIOUS
TRACTORS
TILLAGE TOOLS &
CULTIVATORS

Large Selection of
Fine New Used & Reconditioned
Equipment & Tractors

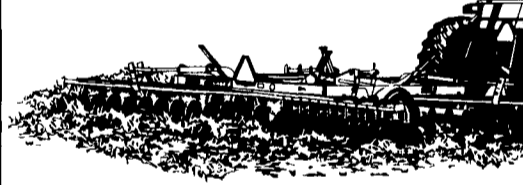
*Wishing Everyone a Safe
and Happy Holiday Season*

- XXXXXXXXXXXXXXXXXXXXXXXXXXXX
- IH 2 post roll bar & roof, fits 706 to 1466..\$950
- IH 2 post roll bar & roof, fits 544 to 686....\$950
- IH 4 post roll bar w/roof for 66 Series.....\$950
- IH cab for 06 & 56 Series.....\$1,000
- (4) Year Round Cabs
Fit 706 to 1566.....\$1,500/Each
- IH 240 w/ Bush Hog,
new rubber & paint.....\$4,500
- IH 464 380 Original Hrs w/2250
Loader.....\$12,900.

Financing Available
717-776-5515
JEFF SHOWAKER

Clean off-the-farm, field test tractors
Most Reconditioned And Sold With Warranty
Positively no out-of-state Personal checks

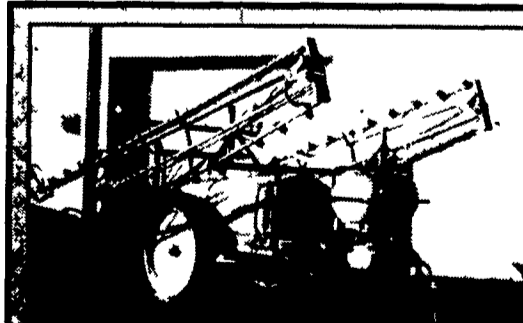
**Tackle Tough
Work With Ease**



Case IH 3800 Mid-Size Disk Harrow

- High output disc harrow with 18" depth
control and easy to adjust disk harrow
conditions
- Shallow depth harrow for excellent
leveling
- Easy pulling with casters, E-Beam Metal Hides
and 14" wide tires for better traction
- Shallow depth harrow in effect for
leveling
- Standard self leveling harrow for depth
control and easy to adjust disk harrow
conditions
- All casters, E-Beam Metal Hides and
14" wide tires
- Easy pulling with casters, E-Beam Metal Hides
and 14" wide tires for better traction
- Shallow depth harrow in effect for
leveling

See us today for a tillage system that fits the way you farm!
A.L. HERR & BRO. INC.
Park Ave., Quarryville, PA 17566
717-786-3521



**Precision 500 gal. High Clearance
Pulltype Crop Sprayer**

- 75' Hyd. Fold, Self-Leveling Boom
- Tee-Jet 5 Way Nozzles
- 9 1/2" x 42" Tires
- Full Adj. Axle width 60"-120"
- Foam Marker
- Raven 440 Sprayer Control
- 6 way Hyd. Boom Control
- Full Light Pkg
- Chemical Educator
- 60 Gal Rinse Tank
- Hyd. Drive Hydro Cent. Pump

1-800-760-8800 Ext. 2



TANEYTOWN FARM EQUIPMENT

2325 Feeser Road 410-751-1500
Bush Hog® King Kutter



Int 250A w/6-way blade ... \$6,900



1979 Chevy El Camino

Tractors w/Loaders

- Kubota L225 ~~SOLD~~ 00 hrs...\$10,900
- Kubota L2250 4x4, 1700 hrs...\$8,900
- Ford 131 ~~SOLD~~\$8,900
- Ford 1910 4x4, 2500 hrs...\$9,400
- White 2-65, 2100 hrs...\$7,900
- Yanmar 186 4x4.....\$7,900

NEW ARRIVALS

- MF 1045 4x4 w/loader
- David Brown 880 w/loader
- Long 445 w/loader
- Int 460 gas, FH
- Int 300 gas, FH

TRACTORS

- AC 170 gas.....\$3,500
- Dozer Cletrac Model Ag ~~SOLD~~ \$2,250
- Farmall B w/Sickle ~~SOLD~~ ower..\$900
- Ford 1900 4x4, TLB.....\$10,900
- Ford 3400 w/loader.....\$4,900
- Int. 250A w/6-way blade.\$6,900
- Int. 504, 900 hrs.....\$3,750
- JD 1530 D.....\$5,500
- JD 755 w/mower. ~~SOLD~~\$4,995
- MF 35 w/PS.....\$4,495

EQUIPMENT

- 1967 Int. Stake dump
- 1977 Chevy step van
- ARPS backhoe, like new.....\$2,900
- NH 269 Baler.....\$1,250
- NH 850 Round Baler.....\$2,995
- NI 323 Picker\$995
- JD 110 Disc.....\$1,500
- Int. 510 Drill.....\$1,350
- NH 567 Haybine.....\$2,995
- Harvestore 100 gal. Liquid Tank
Spreader.....\$1,750
- JD H Manure Spreader, Sharp...\$850
- NI 17 Spreader.....\$950
- JD 318 w/Mower & blade.....\$3,995

Shaver Post Drivers Complete
HD 10 - \$1,795 HD 8 - \$1,095
We Deliver Anywhere

Yes We Have
Snow Blowers In Stock

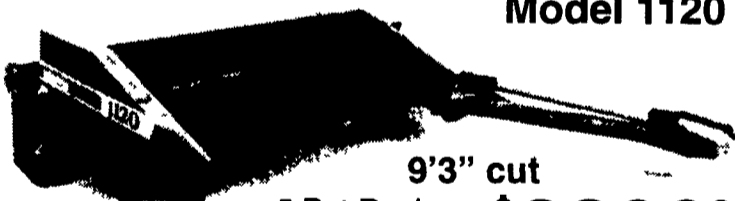
Bush Hog® Loaders up to 30% off
Call for price

Stoltzfus Farm Service, Inc.

Rt. 41 P.O. BOX 99
COCHRANVILLE, PA 19330
PH: 610-593-2407 FAX: 610-593-2482

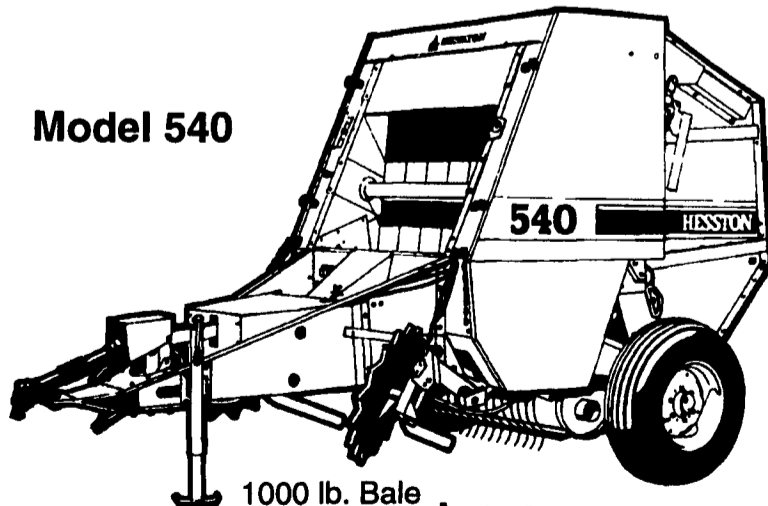
YEAR END CLEARANCE SALE

Model 1120



9'3" cut
5 Bat Reel
Stub guards **\$8900⁰⁰**

Model 540



1000 lb. Bale
48"x51" Bale **\$10,600⁰⁰**
Bale Ejector

Ask about flexible financing
through Agricredit Acceptance Company.



Nobody knows hay like
HESSTON