

NDB, UDIA Elect Officers, Seat New Board Members

ROSEMONT, Ill. — Seven new board members were seated and new officers were elected at the first joint annual meeting of the National Dairy Promotion and Research Board (NDB) and the United Dairy Industry Association (UDIA), held recently in San Antonio.

NDB and UDIA are the principal funding organizations for Dairy Management Inc. (DMI).

NDB elected Maynard Lang, Brooklyn, Iowa, chairman; Harold

Howrigan, Fairfield, Vt., vice chairman; Alice Moore, Frazey-sburg, Ohio, secretary; and Roger Rebut, Janesville, Wis., treasurer as officers for the 1996-97 term.

Five new board members were seated after their appointments by the U.S. secretary of agriculture Paul E. Rovey, Glendale, Ariz.; Glen E. Schroeder, Caledonia, Minn.; William B. Siebenborn, Trenton, Mo.; James S. Cook, Evergreen, Ala.; and Ruth I. Laribee, Lowville, N.Y. Each begins a

three-year NDB term.

The UDIA elected Herman Brubaker, West Alexandria, Ohio, chairman; Elwood Kirkpatrick, Kinde, Miss.; first vice chairman; Lyle Tjosas, Kasson, Minn., secretary; Joe Bavido, Sharon, Tenn., treasurer; and Ray Johnson, Schaghticoke, N.Y., second vice chairman.

Both Randy Dodds, Omaha, Neb., of Dairy Council of Central States, and Kevin Ponticelli, Northbrook, Ill., of Kraft General

Foods, were seated as new UDIA board members.

DMI's marketing arm, the American Dairy Association (ADA), and its dairy nutrition research arm, the National Dairy Council (NDC), also elected officers.

Ed Nierman, Concordia, Mo., was chosen as ADA's chairman, along with Bavido, vice chairman; Schroeder, secretary; and Bob Strasser, Nashville, Tenn., treasurer.

The 1996-97 NDC officers are Buckey Jones, Smithdale, Miss., chairman; Doyle Stokes, Conway, Mo., vice chairman; K. Allen Roszel, Montrose, Pa., secretary; and Bill Kelch, Clifton, Ill., treasurer.

Dairy Management Inc. is a non-profit organization that conducts programs in integrated marketing communications, promotion and research for U.S.-produced milk and dairy products on behalf of America's dairy farmers.

Animal Science Major Rides To Championships

NEWARK, Del. — Rain the night before had made the ground muddy, but University of Delaware sophomore Kim Cian and her horse, Fabian, were performing their dressage movements without a hitch.

If they scored well in this, the last of four qualifying shows, Cian was sure they'd make the regional team slated to compete in the North American Young Riders' National Championship in August.

"We've got this nailed," Cian thought to herself. But fate was against it. With one movement to

go, Fabian's hind foot stuck in the mud for an instant and twisted, and he began limping. In that moment Cian's hopes were dashed. Tears streamed down her face as the judge told her to leave the arena.

Cian and Fabian didn't make the team. After her scores at the qualifying shows were averaged, she was bumped by one point. But her heartache turned to joy when she learned that she was one of only six riders nationwide chosen to compete individually in the championship.

"Even though I didn't make the

team, I was thrilled to compete as an individual," said Cian. "Getting to the national championship had been my goal for six years."

As for Fabian, the ill-timed pain in his leg cleared up almost as soon as he left the arena. His speedy recovery enabled him to accompany his rider to Illinois for the Federation Equestre Internationale sponsored competition, where the pair placed 19th out of 45.

Cian has been working with Fabian for four years, but her passion for riding began when she was

(Turn to Page A38)

F.O. 4 December Milk \$17.36

ALEXANDRIA, Va. — Middle Atlantic Order Market Administrator Rex F. Lothrop recently announced for December 1996 a Class I price of \$17.36 per hundredweight and a Class II price of \$14.43 per hundredweight.

The December Class I price includes the 20-cent assessment for fluid milk promotion and consumer education. The Class I price, less the 20 cent assessment, and the Class II price are down \$1.24 from November but are \$1.52 higher when compared to year-earlier levels.

Mr. Lothrop announced a Class III milk price of \$14.21 per hundredweight for October 1996 and a Class III-A price of \$15.02 per hundredweight for the month.

The Class III price was down

\$1.24 from the previous month, and the Class III-A price decreased 91 cents.

The December 1996 Class I and Class II prices and the October 1996 Class III price are based on the October 1996 basic formula milk price of \$14.13 per hundredweight at a 3.5 percent butterfat content.

The October 1996 butterfat price was \$1.4063 per pound, down 25.36 cents from September. The October skim milk price per hundredweight was \$9.63.

The USDA reported that the wholesale price of Grade A butter at Chicago for October was \$1.2445 per pound on the mercantile exchange and the Central States nonfat dry milk price was \$1.3155 per pound.

Martin's
AG SERVICE


New Holland, PA
(717) 354-4996 (717) 445-7561



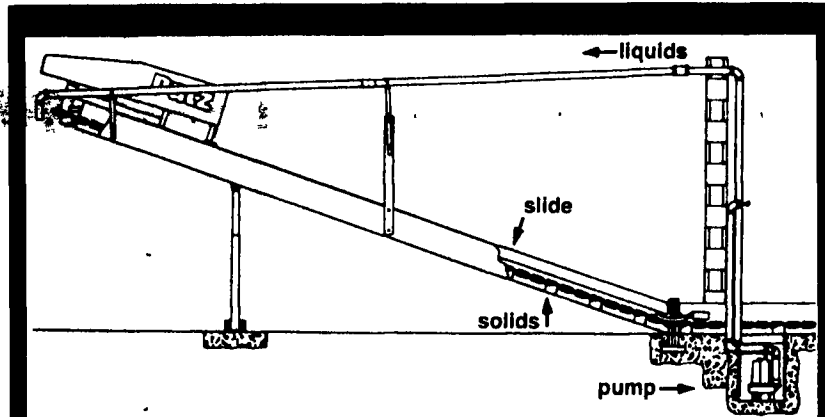
Hi Mag (Ag Lime Spreading) Hi-Cal
Also in bags, pulverized, pelletized and feed grade

GLENWOOD
Outdoor Boilers

For Home, Commercial or Farm



PENN MFG. CO.
393 W. Lexington Rd., Lititz, PA 17543
Call (717) 626-1397 or 627-2303



SCHICK ENTERPRISES
Designers and Builders of Quality Buildings
— HOG CONTRACTS AVAILABLE —

- FENCING
Concrete or steel
- CONCRETE
Slats
- WATERING
Systems
- AIRSTREAM
HELMETS
- ADA
PLASTIC COATED FLOORING
- MODERN AG
SS FEEDERS
- G.S.I. BINS & Fill Systems
- LIFETIME HYDRAULIC TRAILERS
- AAA VENTILATION LIFETIME GUARANTEE





1-800-527-7675 (610) 285-6519

Thinking Manure Auger? Consider a Better Alternative: Model 9000 Liquid Transfer System

Removes liquids from the gutter while manure goes up the slide.

Liquids flow through a screen in the gutter bottom. Submersible pump moves the liquids through 2" PVC pipe to manure spreader or other discharge point. Solves overflow problems of leaky drinking cups and pipes. Also, for milk waste water and other liquids. Installs easily anytime.

patz

Cedar Crest Equipment
Two Convenient Locations

608 Evergreen Rd. Lebanon, PA 17042 (717) 270-6600 1-800-646-6601

RD 2 Box 271 East Earl, PA 17519 (717) 354-0584

WE CUSTOM DESIGN SYSTEMS FOR YOU