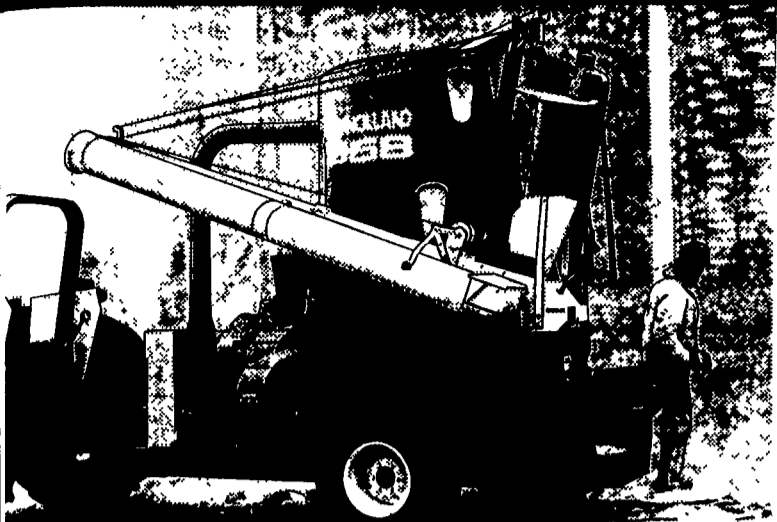


# STEADY PERFORMANCE



## ON THE JOB DAY-IN, DAY-OUT

New Holland grinder-mixers work hard every day, providing the feeding efficiency you expect from the industry leader.

The rugged hammermill gives un-matched capacity. Thick plates welded to the 21-3/8" heavy-duty hammermill shaft support the hardened hammers making the mill strong, durable, and smooth-running.

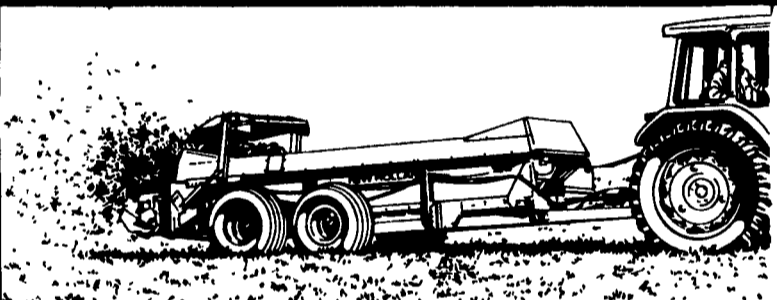
The optional electronic scale more than pays for itself by weighing accurately for more feed efficiency.

Durability...that's why New Holland mills continue to be the market leader.



NEW HOLLAND

## BEST IN CLASS



## BUILT TO LAST AS LONG AS YOU DO

The New Holland Model 185 is a spreader you won't buy too often...because it's going to be with you for a long time.

Here's why:

- Corrosion-resistant steel sides
- Indestructible plastic floor boards (HDPE)
- 12-year free replacement guarantee for floor and sides

The Model 185 carries a 287-bushel load with ease. We'd like to show you why this is the best-selling spreader in its class.



NEW HOLLAND

**FOR SALE:**  
2 New 8-Rail, 15"x34" Power Shift Rims Weathered  
\$2,071.00 List Fits Deutz or Deutz Allis Sale \$795 each

### QUALITY USED EQUIPMENT FOR SALE

- Allis Chalmers 7060 Tractor
- AC K Combine, 3RN & 2 RW Corn Heads
- NH 770 Harvester
- NH 782 Harvester
- NH 892 Harvester
- Gehl Forage Box & Gear
- NH 1033 Bale Wagon
- NH 489 Haybine w/New Rolls
- NH 499 Haybine w/New Rolls
- JD 1219 Mower Conditioner
- NI 4151 Bar Rake
- NH 849 Round Baler
- NH 315 Baler w/Thrower
- NH 326 Baler
- (3) NH 489 Haybine
- NH 495 Haybine
- NH 411 Discbine
- JD 13 Single Disc Grain Drill
- AC2600 16 Ft. Disc Harrow \$4,695

## BHM FARM & LAWN EQUIP.

SALES - PARTS - SERVICE  
Route 934 - 3 Miles North of Annville, PA  
Telephone 717-867-2211

### 1 FARM EQUIPMENT



AVAILABLE NOW!



YARNALL'S EQUIPMENT CO. INC.

Toll Free 1-888-900-SNOW

Great Prices!

### Your Need Is Our Challenge!

#### Demo Specials

- \* JD 6400, MFWD
  - \* JD 435 Round Baler
  - \* JD 920 Mower Conditioner
- Bargain Prices! —

#### TRACTORS

- \* JD 8100, 4WD, Low Hrs.
- \* JD 1070 Compact, 2WD
- \* JD 950, 1978

#### COMBINES

- \* JD 9600, 1990, Heavy Duty Drive & Wide Space Duals..... Coming In
- \* JD 9500, 1992, 2WD, Excellent Condition..... Coming In
- JD9400, 564 Sep. Hrs., Field Ready
- \* JD 7720, 1979
- \* JD 7700, 1976, 4WD
- \* JD 6600, 1978, 2,786 hrs.
- \* NI 311, 2 Row Corn Picker w/314 Sheller Attachment
- JD 920 Platform
- \* JD 920 Flex Platform..... Coming In
- \* JD 915 Flex Platform
- \* (2) JD 643 Corn Heads
- \* JD 220 Flex Head
- \* JD 216 Flex Head
- \* JD 216 Flex Head
- JD 215 Platform

#### PLANTERS

- \* JD B Grain Drill, 24x7
- MF 43 Grain Drill, 22x7
- \* Case IH 5300 Grain Drill (Gauge Whls., Excellent Condition) **SOLD**
- \* JD 8300 Grain Drill, 23x7
- JD 7200 6 Row Planter, Liquid Fert.
- JD 7100 8 Row 20", 3 Pt. Hitch Planter
- JD 7000 6 Row Planter, Dry Fert.
- JD 7000 8 Row Planter, Liquid Fert.

#### HAY & FORAGE

- \* JD 3960 Forage Harvester w/ 3RN Head
- \* JD 348 Baler
- \* NH 479 9' Haybine
- \* NH 451 Pull Type Sickle Bar Mower
- JD 36' Hay Elevator

#### MISCELLANEOUS

- \* Brillion 23' X Fold, Solid Packer
- \* JD 400 15' Rotary Hoe
- \* JD 215 14' Disc
- \* JD 235 21' Dura Cushion Disc
- \* Krause 4904 21' Disc Harrow
- \* Krause 4924A 22' Disc Harrow w/Buster Bar
- \* Bush Hog 15' Batwing Mower
- Woods 20' Batwing Mower
- \* IH 60 Shredder
- JD 201 Implement Trailer
- \* Ferguson 14' Chisel Plow
- Brillion 20' Field Cultivator
- JD RM8 Cultivator
- DMI Tiger 3 Shank Ripper

GOOD DEALS AND A GOOD DEAL MORE



W.N. COOPER & SON, INC.

Morgnac Rd. Rt. 282  
Rt. 291 Cecilton, MD  
Chestertown, MD 410-275-2195  
410-778-3464 \*Cecilton Location

## FITZPATRICK & Lambert INC.

107 N. GERMAN ST. • BOX 345  
• DUSHORE, PA 18614  
TELE 717-928-8183  
• FAX 717-928-9589

### STOP IN FOR FALL SAVINGS ON OUR

### USED FARM EQUIPMENT

DEFERRED PAYMENT TERMS AND FINANCING AVAILABLE TO QUALIFIED BUYERS!!!  
(GOOD QUALITY ITEMS AT FAIR PRICES!!!)

See all our new equipment!

Farm Tractors, Lawn Mower, Haying Equipment

Used Equipment: Call Terry West at 717-928-8183

Ford 1920 - 4x4, w/loader & Backhoe, 414 Hrs.... \$20,995  
David Brown 1200 Selectomatic 18.4x30 rubber, 12 spd, diesel, new paint, good shape..... \$5,595

Ford 515 Industrial Tractor Loader 14.9x24 Rubber, Gas, 4 Post Canopy, 8 Spd Trans., 3 Point Hitch, Weight Box, Independent PTO..... \$6,995

New Holland 640 Silage Special, Used, Ready for Work!..... \$11,995

New Holland 846 Round Baler Chain Type - Great Shape..... **SOLD** \$3,995

New Holland 316 Square Baler - with Kicker.... \$5,595

New Holland 311 Square Baler - with 70 Thrower..... \$4,995

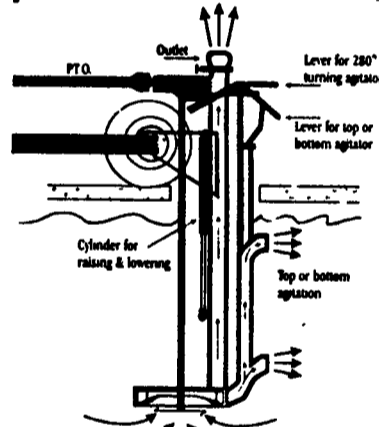
Cub Cadet Lawn Tractor, 16 Hp, Gear Transmission \$2,995

John Deere Post Hole Digger, Like New, Heavy Duty \$395



Stop In Today at our Dushore Location to See This Equipment Plus Our Full Line of New Holland Tractors and Equipment

### Liquid Manure Pit Pumps



- Available 6-8-10-12 ft.
- Trailer mounted mobility
- Hydraulic lift
- Simple controls
- Dual agitation

### ZIMMERMAN HEAVY DUTY PORTABLE ELEVATORS



WELL BALANCED, RUGGEDLY BUILT FOR MANY YEARS OF TROUBLE FREE SERVICE

From 28 Ft. to • 28 Ft. - \$2,195  
48 Ft. Available • 32 Ft. - \$2,350

880 Series "Skeleton Elevator" also available

#### COMING IN

- 1066 Tractor, Black Stripe, 4100 Hrs, excellent .... \$12,900
- IH 1466 Tractor..... \$9,400
- IH 3688 Tractor, Excellent..... \$18,900
- IH 1066 Tractor..... \$8,400
- CIH 585 Tractor, Super Sharp..... \$10,500
- IH 1206 Tractor, Painted..... \$7,600
- MF 65 Tractor, Diesel, Engine Completely Rebuilt, Painted..... \$5,400
- NH 454 Skid Loader (gas)..... \$8,500

- NI 323 Corn Picker, Excellent..... \$3,000
- JD 400 Rotary Hoe..... \$1,200



### MILLER'S REPAIR

1 Mile North of Eld in Hand  
8 Miles East of Lancaster  
Ph. 717-656-6109