

3 SILOS AND UNLOADERS

Brady bunk silo unloader, fits on 3 point, cuts a smooth wall on the face, and blows into weigh cart, \$5,950. 1-800-248-2151

RUFF-TUFF Poly Silo Liners



Give your old silo a new life!

Improve forage quality and silo life.

The original silo liner, white 4 mil laminated poly material



AARON GROFF & SON
103 Clearview Drive
Ephrata, PA 17522
(717) 354-4631
(800) 468-4809

LAPP'S BARN EQUIPMENT

CURTAIN SYSTEMS



Lapp's Curtain System

Lapp's insulated curtains can help you make your farm more efficient. You can save up to 30% on your fuel/energy costs while maintaining a comfortable climate enables livestock to feed into live weight more efficiently, the curtain makes your barn warmer in winter and cooler in summer.

Our curtains are available in both 4 and 6 ply, both of which are faced with a impervious white vinyl layer which faces the elements. With all these benefits, the average payback is two years!

A lower cost alternative to the insulated curtains, are Lapp's single layer curtains. You still get all the benefits of using a high quality curtain to keep the elements outside and being able to lower the curtain to naturally ventilate in your barn.



LAPP'S BARN EQUIPMENT, INC.

5935 Old Philadelphia Pike, Gap, PA 17527
Phone: 717-442-8134
717-768-8901

WE SERVICE WHAT WE SELL
- Radio Dispatched Trucks -

DON'T LET THIS HAPPEN ON YOUR FARM... RELINE YOUR SILO WITH SHOTCRETE!



Contact:

S & S SILO REPAIR

3114 Compass Rd., Honey Brook, PA 19344

610-273-3993

Toll Free 1-800-860-3993

• 15 Years Experience In Relining Silos

• Manufacturing & Buildings of New Stave Silos



PARTS & SERVICE for HARVESTORE®

REXNORD HITACHI LINK BELT
\$790 20' Gal. Standard Chain
2 1/2 Yr. Warranty

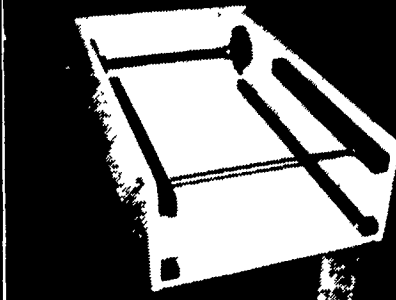
- * Demuth and Lancaster Level-flo Goosenecks
- * Replacement Roofs
- * Internal and External Breather Bags
- * Rebuilt Goliath and Hercules Unloaders

Quality Proven Parts

MARVIN ZIMMERMAN

Oakland Mills, PA 17076 717/463-9731
*Not Affiliated With A.O. Smith

ALL PLASTIC CONVEYOR



All plastic conveyor - excellent for under Big Jim unloader - or any wet or soupy condition. Also available in wider models - We stock 4' x 16' Tough Liner and 3' 1/2 x 8' for manure spreaders is available also.

E. Rissler Mfg.

(814)766-2246

THIS IS THE BEST HAYLAGE SILO UNLOADER



Rebuilt Ring Drives In Stock



There's a difference

VAN DALE

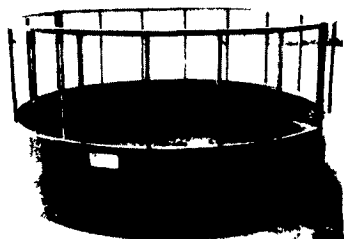


As Good As The Best

Rebuilt Mags In Stock

PARTS IN STOCK

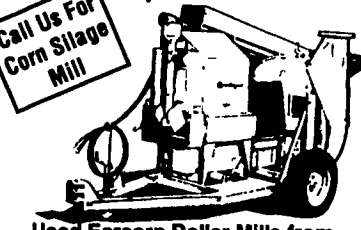
HAY FEEDER



Very Little Waste, \$150

AUTO ROLLER MILL

Buy or Rent!



Used Earcorn Roller Mills from \$6,000-\$12,000
6 In Stock - 3 New In Stock

- NH 352 Gnrnder/Mixer, good \$2,500
- Used Silos: 12x60, 16x60, 20x80

Call For Walls or Silo Relining

Lancaster Silo Co., Inc.

2008 Horseshoe Rd. • Lancaster, PA • (717) 299-3721

Plan Now For Your Hay Or Corn Crop

Check with us this Summer for discounted prices on Used Harvestores®...Remember we OFFER NEW or REBUILT unloaders with our Used Harvestores.

All structures and unloaders are guaranteed.

Our 21 years Experience Guarantees you the Quality and Price that you are looking for. So call us now for free estimates on the following stock: 81x23 Slurrystore® - 1984

25x90, 25x80, 20x80, 20x90, 20x70
20x60, 20x50, 20x42, 20x30, 62x19

Special: REXNORD Chains - \$775
Heavy Duty Cutter Chain - \$1045

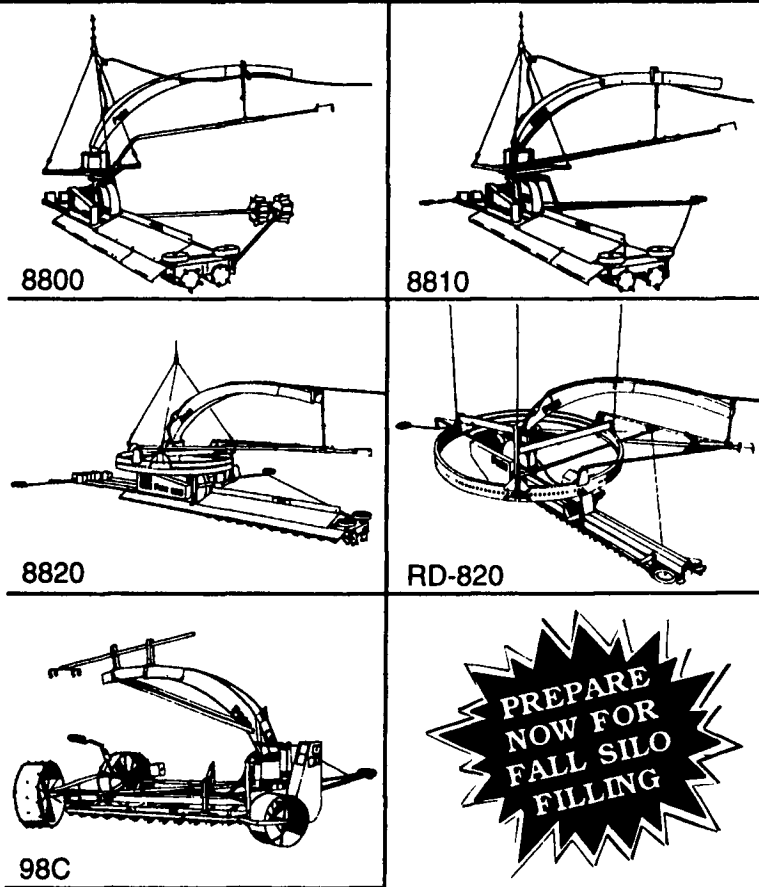
"Used Harvestores® is our Business Since 1975

Better Bilt Storage, Inc.

Sugarcreek, Ohio
330-852-4088

Not affiliated with A.O. Smith Harvestore Products, Inc.

Patz The full unloader line...



PREPARE NOW FOR FALL SILO FILLING

Patz gives you dual-auger unloaders and gathering chain unloaders plus choice of surface drive, center drive or ring drive.

Patz®



Cedar Crest Equipment

Two Convenient Locations

608 Evergreen Rd.
Lebanon, PA 17042
(717) 270-6600
1-800-646-6601

RD 2 Box 271
East Earl, PA 17519
(717) 354-0584

WE CUSTOM DESIGN SYSTEMS FOR YOU

WANTED: good used bevel gear & pinion gear for Spartan unloader 717/438-3205

We pay top dollar for used Harvestores and Slurrystores 717-354-4051

4 BUILDINGS AND SUPPLIES

Air Conditioning/Heating Units, vertical, 18,000 BTU, never used, 8 available, \$900/ea 410-335-4700

Antique building materials, beams, wide pine boards, flooring, doors, etc 717/249-2304

AUCTION: Monthly sales of building materials, equipment, supplies, Baltimore, MD. To buy or sell. Please Call 717-235-7706

Barn flooring, tongue/groove oak 2x8 \$.50/bd.ft, pine 2x6, 2x8 \$.40/bd ft, square dressed or rough for less Stoltzfus Lumber, 3740 Thompson's Corner Rd., Mechanicsville, MD 20659.

Barn Materials FREE for dismantling and removal Barn in North Baltimore Co, call (410)592-7895

B grade glassboard and fastening accessories Glenn Beidler, Freeburg, Snyder Co., PA, (717)539-8993.

Brick-Tile paver bricks, 1/2" thickness New, in stock Lancaster Co., (610)593-1172

Cash paid for barns, buildings, mills and factories Also, wooden beams wanted 717-229-0605

CECO KIRBY ALLIED Steel buildings and components Retrofit steel re-roofing Commerce, Industry, Ag. Supply or supply erect. Standard or custom. Complete or addition. Certified permit drawings. Building YOUR business is OUR business. A.S. HOOVER, INC. 3125 Manor Rd., Coatesville, PA 19320. 610-942-2591; 717-445-4962; 1-800-942-2591.