

**3 SILOS AND UNLOADERS**

**ELEC. CONTROL PANELS**  
for BIG JIM Silo Unloader \$195  
717-865-7440


**MAY-CO PLASTIC SILO LINERS**

To have mold free haylage, corn silage & hi-moisture grains, install a May-Co liner in silos with or without unloaders. Easy to install.

SHOP (717)399-8232  
**MAY-CO SUPPLY CO., INC.**  
48 Jeffrey Road, Gordonville, PA 17529



**JAMESWAY DIRECT X PRESS SYSTEM**

**NEW BELT FEEDERS & CONVEYORS**




Big Capacity Delivery With All The Advantages Of Dependable, Efficient, Low Profile Direct Drive Design!

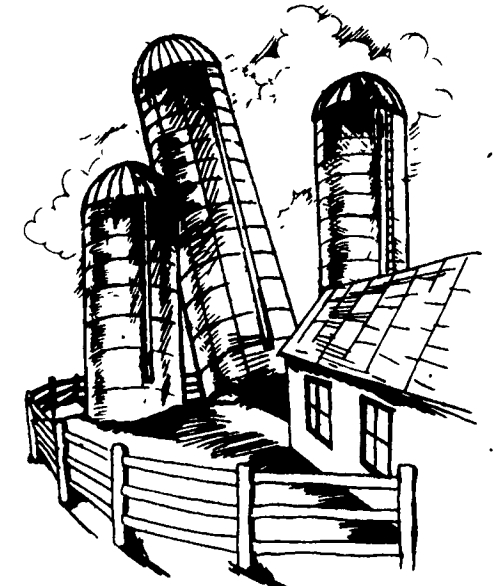
That's what farmers really appreciate about the new Jamesway family of Direct X Press Feeders and Conveyors. All models feature a dependable and efficient heavy duty industrial drive, with enclosed oil bath and standard 1, 2 or 3 HP C faced motors. Our direct drive design eliminates pulleys, jackshafts, sprockets chains, V belts and shields, the low profile motor and drive can be mounted on other side for added installation versatility

**LAPP'S BARN EQUIPMENT**  
5935 OLD PHILADELPHIA PIKE, GAP, PA 17527  
PHONE: 717-442-8134  
717-768-8301  
WE SERVICE WHAT WE SELL  
— Radio Dispatched Trucks —



**DON'T LET THIS HAPPEN ON YOUR FARM... RELINE YOUR SILO WITH SHOTCRETE!**



Contact:  
**S & S SILO REPAIR**  
3114 Compass Rd., Honey Brook, PA 19344  
610-273-3993  
Toll Free 1-800-860-3993

- 15 Years Experience In Relining Silos
- Manufacturing & Buildings of New Stave Silos

**WARNING, ALL SILO OWNERS**

It's important that you know your silo needs maintenance. Your silo will not fall when it's empty. Please check your silo for damage or check your insurance policy.

*Now is the time to check your unloaders, cables and silo walls. Cables should be replaced every 10 years.*

**Lancaster Silo Co., Inc.**  
2008 Horseshoe Rd. • Lancaster, PA • (717) 299-3721  
CALL TOLL FREE 1-800-770-3721



**Plan Now For Your Hay Or Corn Crop**

Check with us this Summer for discounted prices on Used Harvestores®...Remember we OFFER NEW or REBUILT unladgers with our Used Harvestores.

All structures and unloaders are guaranteed. Our 21 years Experience Guarantees you the Quality and Price that you are looking for. So call us now for free estimates on the following stock: **81x23 Slurrystore® - 1984**

25x90, 25x80, 20x80, 20x90, 20x70  
20x60, 20x50, 20x42, 17x50, 62x19

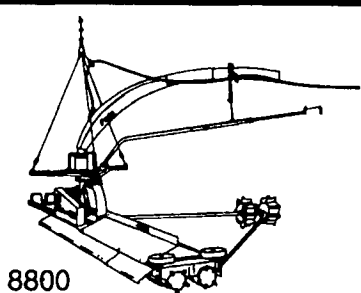
Special: REXNORD Chains - \$775  
Heavy Duty Cutter Chain - \$1045

"Used Harvestores® is our Business Since 1975"

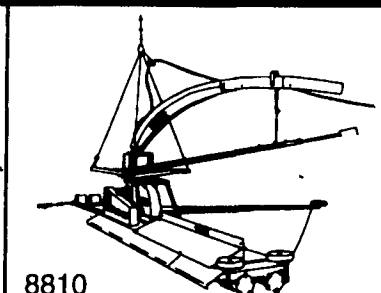
**Better Bilt Storage, Inc.**  
Sugar creek, Ohio  
330-852-4088  
Not affiliated with A.O. Smith Harvestore Products, Inc.



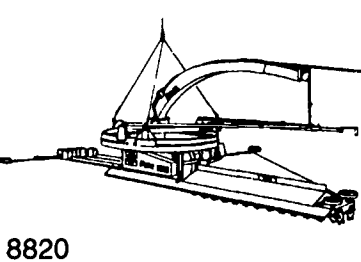
**Patz** The full unloader line...



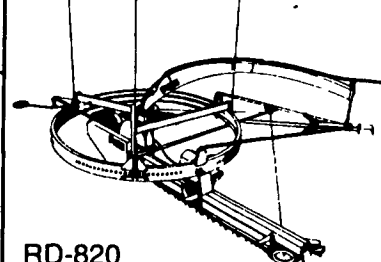
8800



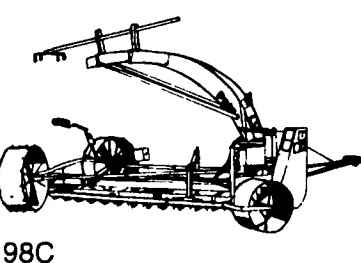
8810



8820



RD-820



98C

**PREPARE NOW FOR FALL SILO FILLING**



Patz gives you dual-auger unloaders and gathering chain unloaders plus choice of surface drive, center drive or ring drive.

**Patz®**

**Cedar Crest Equipment**  
Two Convenient Locations

608 Evergreen Rd. Lebanon, PA 17042 (717) 270-6600 1-800-646-6601

RD 2 Box 271 East Earl, PA 17519 (717) 354-0584

**WE CUSTOM DESIGN SYSTEMS FOR YOU**

**3 SILOS AND UNLOADERS**

Buying used stave silos, especially Fickes and Lancaster. Fair price paid. After 6pm, (717)786-2103.

FOR SALE: Silo, concrete Stave 40x12, good condition. 717-582-3339 after 7PM

Used 42x14 Slurrystore. 717/463-9731 after 8pm.

WANTED: Concrete stave silos, will remove. Fair prices paid. 610-273-3993, 1-800-860-3993.

We pay top dollar for used Harvestores and Slurrystores 717-354-4051.

**4 BUILDINGS AND SUPPLIES**

Antique building materials, beams, wide pine boards, flooring, doors, etc. 717/249-2304

Antique Penna. white pine 500 pcs. 3X12X16 other antique materials available. (717)786-3738.

AUCTION: Monthly sales of building materials, equipment, supplies. Baltimore, MD. To buy or sell. Please Call 717-235-7706

BARN FLOORING: new, kiln dried, T&G Y-pine 2x8's for floors and stalls, also plain 2x8's 2x6's 2x4's. Noah Shirk Sawmill, 717/354-0192.

Barn Beams, hewn rafters, floor joist, mantles, hinges, siding & flooring. Call Hometown Carpentry Your Barn Specialist. 610/369-0308.

Barn for sale 28x40, you dismantle and remove. (610)865-4094.

Barn for sale. 44'X93', good condition. To be dismantled. (301)662-1902.

B grade glassboard and fastening accessories. Glenn Beidler, Freeburg, Snyder Co., PA, (717)539-8993.

Brick-Tile paver bricks, 1/2" thickness. New, in stock. Lancaster Co., (610)593-1172.

CECO... KIRBY... ALLIED... Steel buildings and components. Retrofit steel re-roofing. Commerce, Industry, Ag. Supply or supply erect. Standard or custom. Complete or addition. Certified permit drawings. Building YOUR business is OUR business. A.S. HOOVER, INC. 3125 Manor Rd., Coatesville, PA 19320. 610-942-2591; 717-445-4962; 1-800-942-2591.

Chain Link Fence, new, slightly imperfect, heavy 9-gauge galvanized. 3'-\$1.90/ft, 3 1/2'-\$1.00/ft; 4'-\$1.20/ft, 5'-\$1.55/ft, 6'-\$1.65/ft, 7'-\$1.85/ft, 8'-\$2.45/ft.

Vinyl coated also available. Call 717/822-7820 7-7:30AM or leave message

Clean 8" block, 30¢; concrete lintels; 2X8 lumber, FREE fill Lancaster Co. (717)291-9106 (717)687-7075

Decking: cypress wood, 1"x6"x12", natural rot resistant, no arsenic, \$.95/lineal foot. (610)565-6038.

Epoxy crack filler, fantastic industrial product used for securing equipment to ships' decks, used for silo repair, anchoring bolts, fill concrete cracks, adheres to almost all materials. Packaged in 15 lb. cans, plus hardener. Surplus lot, sell for \$20/for 15 lb. kits. Factory price for this product is \$125/kit (4) can minimum HERITAGE EQUIPMENT CO 610-942-4116

Flooring, 4-12" wide plank, T&G, timbers, see our display ad. 610/565-6038.

**GALVANIZED ROOFING & SIDING**, 1/2x2-1/2 inch profile. Delivery available. 1-800-845-7338, (610)826-7636.

"I-Beams", very good and cheap moving. Must sell fast! 410-337-3570

Insulation 1/2" 4X8 urethane, \$5.50 each 717-354-3105.

JD 5x16 rollover plow, \$3,500. Planer blade grinder w/stand \$500 (717)286-5306.

Kohler elongated toilets in boxes, whites and some other colors, \$65. (717)285-3269 (717)285-2093 after 5pm.

Log Homes of affordable Canadian White Cedar. Will erect shell. Call for pricing. 717/354-3105

**LUMBER SPECIAL PRICE:** 2x4's 8'-14', \$.25/bf on skid lots 717/354-3105.

**PAYING UP TO \$2.50/sq.ft.** for wide walk-smooth attic floor. We remove. Also paying \$.50-\$1.00 for pine and oak siding 1" & thicker WANTED: Cypress walk boards. 800/765-3966

**POLE BARN PACKAGES** for farmers/contractors Complete kits at bargain prices. FREE plans/drawings. Call for FREE literature and prices at (717)656-1814.

Pre-engineered steel buildings for Agricultural, Commercial or Churchs. Authorized Gulf States Dealer. We will build from your plans or will design **WEAVER CONSTRUCTION**, East Earl, PA 717-445-5165.

**SPECIAL:** Dry double T&G logs for 24x40' log home for \$7,900. Can TIM-BOR treat, precut. Frontier Log Homes, Shippensburg, PA 17257, (717)532-4882.

**GREENHOUSE STRUCTURES**

- Calves Housing
- Free Stall
- Heifer Barn
- Machine Shed

Phone 717-653-0385  
— No Sunday Calls —

**WANTED TO BUY**

Wide original attic flooring - wide grainery - wide thick roofer boards.

Chestnut and yellow heart pine beams - old log houses, early timber frame houses, summer kitchens and old stone & brick houses for salvage

Also early factories, warehouses and mills

Built-in cupboards and fireplace mantles

**I always pay the most and travel the farthest!**

**Always make sure you get a price from me.** (610) 857-5504 anytime