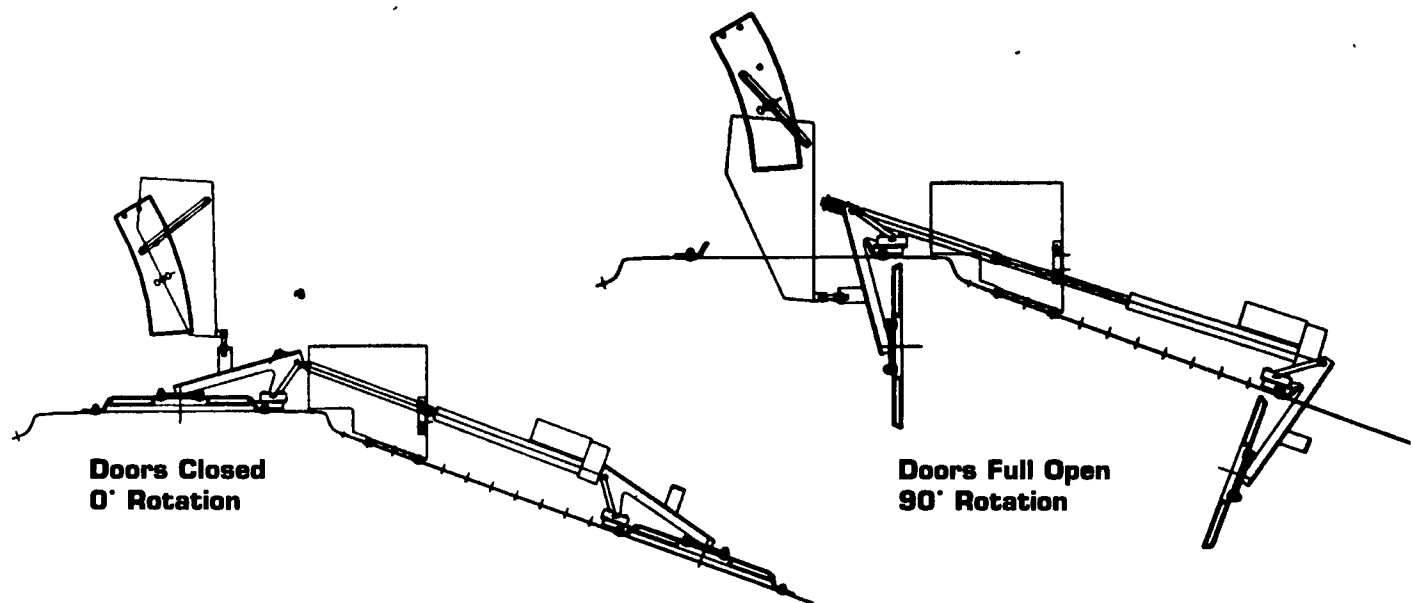
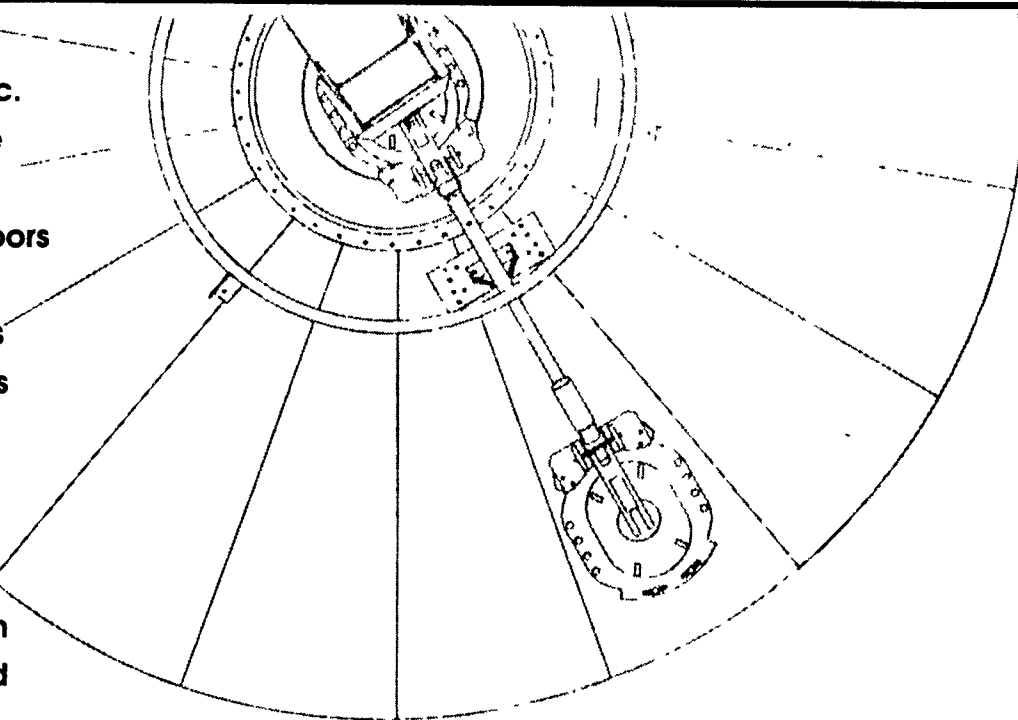


NEW!

HARVESTORE® STRUCTURE

PUSH BUTTON FILL DOORS™

A.O. Smith Harvestore Products, Inc. has developed a way to avoid the strenuous, if not unpopular job of climbing to open and close the doors on your Harvestore® structure: *The Push Button Fill Doors™ system!* This long-awaited new system replaces the need for climbing to the top of a Harvestore structure, manually opening and closing the center fill and air exhaust door for normal fill operations -- all with a simple push of a button at a convenient ground level control panel!



OUR
32ND
YEAR!



PENN JERSEY PRODUCTS, INC.

YOUR LOCAL INDEPENDENT AUTHORIZED HARVESTORE® SYSTEMS DEALER
P.O. BOX 7 • NEW HOLLAND, PA 17557 • 717-354-4051

NOW SERVING ALL OF MARYLAND AND DELAWARE

Mill Creek, PA
717-483-6940
John Yoder, Mgr.

Everett, PA
814-652-2934
Frank Samuel, Jr., Mgr.

Berlin, PA
800-434-3308
Joe Simpson, Mgr.

Newville, PA
717-776-3397
Maynard McCullough, Mgr.

Columbus, NJ
609-298-7136
Charles Van Mater, Mgr.

In Maryland
800-354-4052

The results you may achieve with your Harvestore® System depend primarily upon your management skills and may vary from successful results achieved by others. Any application in a particular farming operation requires the advice of qualified experts and is subject to limitations of good management, weather or other conditions present at the individual location. Harvestore is a registered trademark of A.O. Smith Harvestore Products, Inc.