

## VIRGINIA CATTLE & HOGS

### VA Feeder Sales

ORANGE, VA  
APRIL 17, 1996

Feeder Cattle 275 head Steers: 83 head  
Medium and Large 1 Small 1 Medium and  
Large 2 300-400 50.00 - 55.00 - 35.00 -  
39.00 400-500 49.00 - 60.00 32.00 - 40.00  
42.00 - 49.00 500-600 37.50 - 53.00 -  
37.00 600-700 43.00 - 44.50 - 34.00 -  
42.00 700-800 33.50 - -

WYTHEVILLE, VA  
APRIL 16, 1996

Feeder Cattle 606 head Steers: 220 head

Medium and Large 1 Small 1 Medium and  
Large 2 300-400 50.00 - 64.00 42.00 -  
49.00 54.00 - 62.00 400-500 50.00 - 68.00  
43.00 - 50.00 50.00 - 69.00 500-600 51.00  
- 60.00 34.00 - 49.00 51.00 - 59.00  
600-700 46.50 - 54.50 - 42.00 - 50.00  
700-800 47.00 - 51.50 - -

SOUTHSIDE, VA  
APRIL 17, 1996

Feeder Cattle 305 head Steers: 60 head  
Medium and Large 1 Small 1 Medium and  
Large 2 200-300 - 31.00 - 36.00 - 300-400  
- - 43.00 - 51.00 400-500 44.00 - 56.00  
36.00 - 42.50 45.00 - 52.00 500-600 52.00  
- 58.00 - 43.50 - 45.00 600-700 - - 40.00 -  
46.50

DALEVILLE, VA  
APRIL 16, 1996

Steers: 50 head Choice 2-3, 600-925 lbs  
93.35 Select 2-3, 600-925 lbs 87.35 Heif-  
ers: 74 head Choice 2-3, 550-900 lbs 92.00  
Select 2-3, 550-900 lbs 86.00

### Marshall, Va. Horse Sale

2nd, 4th Saturday Monthly  
April 13, 1996

Report Supplied by Auction

185 HEAD, SOLD BY HEAD;  
WEIGHTS ESTIMATED.

RIDING HORSES: AVG. TO GOOD  
QUALITY 925-1175 LBS. 540.00-830.00,  
800-900 LBS. 440.00-640.00; BETTER  
QUALITY 925-1175 LBS.  
820.00-1250.00; 800-900 LBS.  
650.00-860.00; EXCELLENT QUALITY  
1000-1175 LBS. 1300.00-1575.00,  
800-900 LBS. 2 AT 1000.00 AND  
1450.00.

RIDING PONIES: SMALL  
250.00-525.00; LARGE 360.00-550.00, 2  
AT 725.00 AND 800.00; 1 SHETLAND  
MARE AND FOAL, 1000.00 FOR PAIR.  
LOOSE HORSES: AVG. TO GOOD  
FLESH, 925-1175 LBS. 550.00-930.00.

### Shenandoah Valley Livestock

Harrisonburg, Va.  
April 13, 1996

Report supplied by auction

STEERS 300-499 LBS. 45.00-63.50,  
500-699 LBS. 40.00-53.00, 700-1000 LBS.  
28.00-50.00.

HEIFERS 300-499 LBS. 30.00-42.00,  
500-699 LBS. 28.00-45.50, 700-1000 LBS.  
22.00-38.00; BULLS 300-499 LBS.  
40.00-51.00, 500-699 LBS. 38.00-48.00,  
700-1000 LBS. 32.00-39.00.

HOLSTEIN STEERS: 3-499 40.00;  
5-699 30.00-32.00; 7-1100 34.00.

STOCK COWS: BEEF 485.00; BABY  
CALVES 10.00-86.00; SLAUGHTER  
SLAUGHTER STEERS 46.50; COWS  
10.00-34.00; SLAUGHTER BULLS  
38.00.

CHOICE AND PRIME YG#1-3 BLUE  
O 106.00; GOOD AND FEW CHOICE  
YG#1&2 RED O 106.00.

SLAUGHTER EWES: 33.00-45.00;  
HEAD EWES 75.00.

SOWS: 33.50.  
VEALS 50.00.  
SLAUGHTER CALVES 46.00.

### St. Louis Cattle, Hogs

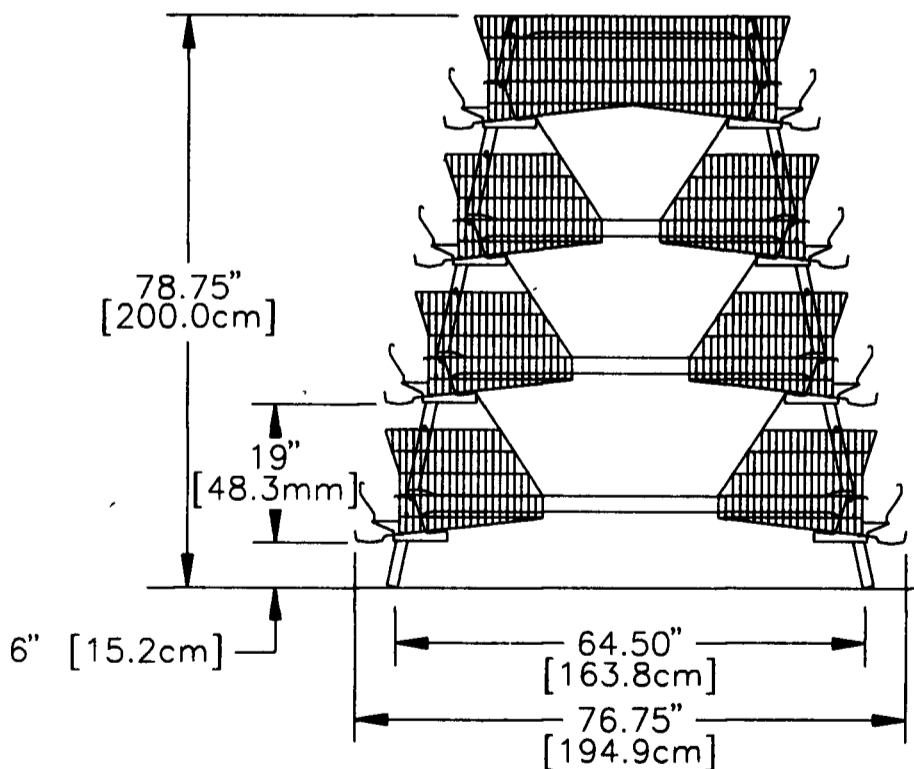
SPRINGFIELD, IL  
APRIL 15, 1996

This weeks receipts 550 head, last week  
450, and last year 500 head. Cattle and  
Calves: Compared to last week slaughter  
steers and heifers fully 2.00 lower. Cows  
and bulls steady. Supply mainly Choice and  
Select and Choice steers and heifers.  
Large supply holstein steers. Around 10%  
cows. Slaughter steers: Choice 2-4  
1050-1250 lbs. 56.00-57.50; 2-3  
1050-1300 lbs. 57.50-58.00. Select and  
Choice 2-3 975-1250 lbs. 54.00-56.00.  
Select 2-3 950-1200 lbs. 51.00-54.00.  
Holstein steers: Several Choice 2-3  
1300-1600 lbs. 51.00-52.00, few up to  
53.00. Select and Choice 2-3  
1150-1400lbs. 49.00-51.00; Select 2-3  
1025-1300 lbs. 45.00-49.00 Slaughter heif-  
ers: Choice 2-4 925-1200 lbs. 55.00-56.50;  
2-3 950-1250 lbs. 56.50-57.00. Select and  
Choice 2-3 875-1200 lbs. 53.00-55.00.  
Select 2-3 875-1150 lbs. 50.00-53.00.  
Slaughter cows: Breaking Utility and  
Commercial 2-4 26.00-29.00. Cutter and  
Boning Utility 1-2 26.00-29.00, high yield-  
ing 29.00-30.00, few gaunt up to 32.00.  
Canner and low Cutter 1-2 24.00-27.00.  
Shelly Canner 1-2 20.00-24.00. Bulls:  
Yield grade 1-2 1250-1700 lbs.  
33.00-37.00. Individual yield grade 1 at  
39.00.

# THE PROFIT MACHINE

**235 EGGS**  
**2.97 CONVERSION, 60 WEEKS**

## Big Dutchman. CAGE PROFILE



FOR MORE INFORMATION CONTACT:

# HERSHEY

EQUIPMENT CO., INC.

Route 30 West at the Centerville Exit  
SYCAMORE IND. PARK 255 PLANE TREE DRIVE  
LANCASTER, PA 17603

(717) 393-5807 1-800-432-0988



Hay And Straw Sales  
Will Start At 10 A.M.  
Every Wed.

### GOOD'S AUCTION

11 North Maple Ave.  
Leola, PA 17540  
717-656-8911  
717-656-9558

### TOWN AND COUNTRY POURED WALLS

SCS Approved

- Manure Pits
- Retaining Walls
- House Basements
- Trench Silo Walls



(610) 593-5794



Tuckahoe Enterprises, Inc.

Producers & Distributors of Quality Eggs  
P.O. Box 337  
Richland, New Jersey 08350-0337  
Office 609-691-9442  
Fax 609-691-5455

You've Dealt With The Rest,  
Now DEAL with the BEST!

We are offering some of the best prices for  
nest-run eggs in Lancaster County.

CALL NOW to receive information on our  
attractively priced nest-run egg program.

Family owned and operated for 30 years.

CALL COLLECT

8:00AM - 4:00PM M-F

(609) 691-9442

Ask for Tom or Craig

WE WANT YOUR EGGS