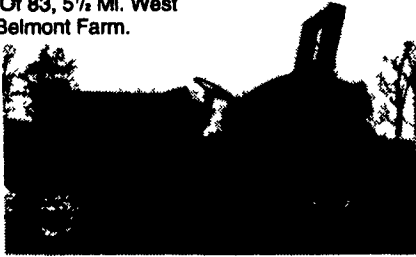


Take Exit 20B
Off Of 83, 5 1/2 Mi. West
To Belmont Farm.



Ford 4000, Gas, 3 pt. live PTO
\$3,800

Financing & Trucking Available
410-833-9091

Excellent Ford Tractors

- TW-25, 4WD, cab, air, 1989, 1,800 hrs.
- TW-15, cab, air, 20 8x38, weights, 2,000 hrs.
- 7710 II, DP, dual remotes, 18 4R x 34, 1,600 hrs.
- 7710, cab, air, DP, dual remotes, 18.4x34, 1,600 hrs.
- 7610 II, cab, air, DP, dual remotes, 1990, 1,600 hrs.
- 7610 II, DP, 1989, triple deluxe hyd., 900 hrs.
- 7600, DP, dual remotes, 16.9x38, weights
- 6640 SLE, 4WD w/Ford 7411 loader, 1,400 hrs.
- 6610 II, 4WD, DP w/Ford loader, 1,000 hrs.
- 6610, dual remotes, 18 4x30, 2,900 hrs
- 4600, diesel, 1980 w/Ford QT ldr, 1,300 hrs.
- 4000 SU, diesel, 14.9 x 28 w/loader
- 3930, 4WD, 14 9x28 w/Allied 394 loader w/230 hrs
- 3610, diesel, 13 6x28 w/ Ford QT ldr, 1,700 hrs.
- 3600, diesel, PS, 13.6x28, 3,100 hrs.
- 3000, gas, 8 spd., PS, 13 6x28, 3,200 hrs
- 1710, Offset w/cultivators, 1,000 hrs.
- JD 2750, 4WD, hi-low, 540/1000, 2,400 hrs
- JD 900, HC w/cultivators & side dressers, 30 hrs.
- Case 1370, 18.4x38, local trade

Equipment

- FNH 492 haybine
- FNH 489 haybine w/ stub guards
- FNH 144 windrow inverter
- Snowblower, McKee 3 pt., 6'
- Weights & roll bars to fit most Ford tractors
- 20.8x38 & 18.4x38 Ford axle duals

Ford Loaders

- 7410 QT fits 2WD & 4WD, 5610 thru 7710
- 7210 QT fits 2 WD, 5000 thru 7610
- 772 QT fits 2WD, 5000 thru 7610

All Tractors Tested On Our Farms.
-Please Call For Appointment-

Burkholder Bros.
Lebanon, PA 17042

(2 miles West of Schaefferstown)
717-272-2352 717-949-2123
Lloyd Leon
330 Crest Rd. 400 Flintville Rd.

STOUFFER BROS. INC.

1066 Lincoln Way West, Chambersburg, PA
Phone 717-263-8424

FORAGE

- Gehl 1250 w/3 Row head & Pickup
- IH 550 Harvester
- Gehl 1580 Blower "Like New"
- JD 125 Box
- GEHL 610 Forage Box
- NH 770 w/2 Row Pickup
- Gehl 920 Forage Box

MOWER CONDITIONERS

- Hesston 6200 Self-Propelled 12 Ft.-Very Good Condition
- NH 495 Haybine
- Hesston 1150 Mower Conditioner

SKID LOADERS & UTILITY

- Gehl 3610 Skid Loader
- Case 1845 Skid Loader
- Ovatorna 440
- Case 580E Backhoe, 4WD, Ext. Hoe
- Case 580E 2WD/Std.-Hoe
- Case 1450 Crawler/Loader
- Gehl 4610 Skid Loader
- Case 450B Crawler/Loader
- Case 580K Backhoe
- Gehl 4610 Skid Loader

MISCELLANEOUS

- Oliver 62T Baler w/ Thrower
- IH 11 Shank Chisel Plow
- Vicon 2 Wheel Turner
- IH 400 Cyclo Planter
- GEHL MX95 Grinder/Mixer
- NH 357 Grinder/Mixer

TRACTORS

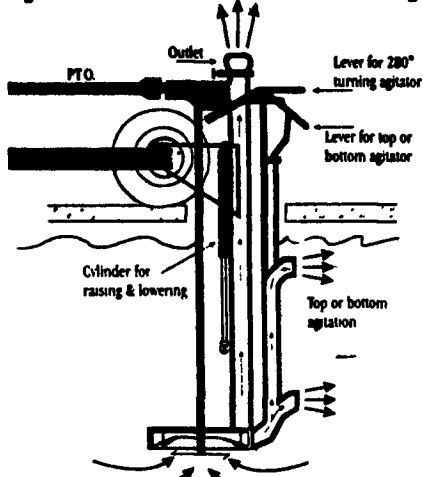
- David Brown 1212
- Ford 4000
- JD 4010 Tractor
- Case 1490 Tractor w/ Loader
- Ford 9N Tractor

LAWN & GARDEN

- Sears Craftsman LT 4000 Mower
- White Field Boss 16 Tractor w/Attachments
- Ingersoll 220
- Ariens Rider
- Ingersoll 222 Tractor
- Trac Vac 580 (grass collection cart)
- Wheelhorse GT2500 Mower
- IH Cub Cadet 682 Mower w/44" Mower
- IH 382 Mower Cub Cadet 1200 w/42" mower
- Ariens GT16 Tractor Mower
- IH Cub Cadet 782 Mower w/44" Mower
- Case 446 Tractor/Mower

Sales, Parts & Service For... • CASE UTILITY • GEHL • VICON • WFE • KUBOTA • HESSTON • SAME

Liquid Manure Pit Pumps



- Available 6-8-10-12 ft.
- Trailer mounted mobility
- Hydraulic lift
- Simple controls
- Dual agitation

- Case IH 885 Tractor, 2WD, 2250 Loader \$17,500
- Case 2090 Tractor, FWA, Cab & Air, Sharp. \$14,900
- MF 65 Tractor, Diesel, Engine Completely Rebuilt, Painted \$5,400
- JD LA, Restored, Plow Cultivators \$3,200
- JD A \$1,800
- IH 1256 Tractor, Nice \$8,700
- NH 424 Skid Loader (gas) \$8,500

- Brillion Packer/Seeder, Excellent \$2,900
- NH 402 Crimper \$1,100



MILLER'S REPAIR
1 Mile North of Bird in Hand
8 Miles East of Lancaster
Ph. 717-656-6109

INVESTMENT TRACTORS FOR SALE

AC B112	Lawn Tractor/Mower/Tiller - Nice.....	950.00
56 FERG 35	New (0 Hours) Not Redone-Brand New !!!.....	23900.00
56 JD 420U	Rare Options-Clean-With Mower.....	3900.00
59? JD 440	Tractor Loader - 3 pt. PTO - Gas - P. Steering.....	2800.00
57 JD 620S	Standard-Nicely Redone-Well Above Average.....	5300.00
56 JD 70S	Standard-Diesel-Good Tin-Good Rubber.....	2000.00
59 JD 730S	Pony-Standard-Nicely Redone.....	5100.00
55 JD 80	Off Farm Condition-Fair Tires-Good Tin.....	4000.00
56 JD 80	As Received.....	4700.00
59 JD 830	De-Overhauled-80% Tires-Good Tin-Redone.....	8500.00
36 JD A	Unstyled-Runs Good-Easy Restore-Good Tin.....	2000.00
35 JD A	Unstyled-Good Tires & Tin-Decent Paint.....	2200.00
51 JD AR	Styld-Nicely Painted-New Rear Tires.....	4500.00
37 JD B	Unstyled-New Rear Tires-Decent Paint.....	2900.00
37 JD B	Unstyled-Spokes-Nicely Redone-Gd Tin.....	3400.00
47 JD D	As Received.....	1250.00
47 JD D	Styld-Loose-Not Running.....	1800.00
49 JD D	Styld-Runs-Nicely Redone.....	3450.00
50 JD G	As Received.....	2000.00
50 JD G	Try-Decent Tin-Runs Good-Needs Paint.....	2200.00
51 JD G	Runs-As Received.....	2500.00
41 JD G	Unstyled-Last Full Year Of Prod.-Nice Unit.....	4500.00
38 JD G	Unstyled-New Tires-Total Restoration Done.....	7500.00
JD L/LA	Cultivator.....	295.00
53 JD R	Runs-Needs Restored.....	2400.00

Lots Of Older Sales Literature, Toys And Pedal Tractors For Sale
Lots Of Owners Manuals/Parts Book - Call

LLOYD WENGER

251 S. Race St., Myerstown, Pa. 17067
717-866-2130 Days 717-866-7147 Evenings

Follow a LEADER



John Blue Sprayer



Hydra Track



1989 220 Sprague



Hy Rise



Call TODAY!
800-345-3546 (PA)
800-848-8460 (OH)

GVM Used Equipment

- Sprague
- 1989 220 wide front, 50' booms, 1080 hrs \$16,900.00.
- 1989 220 wide front, 50' booms, 500 hrs \$17,400.00
- 1990 220, electric booms, 1111 hrs \$18,500.00

- 1985 Tyler 4x4 Loader \$ 5,450.00
- 1995 Swinger 180 Loader (Demo unit) \$18,500.00

Spray Trucks

- 1990 GVM HydraSpray, 830 gal. tank, Raven, on 1990 Internation 4800 chassis, AC \$38,500.00
- 1991 GVM HydraSpray Hy Volume, 430 SS tank, Raven on 1992 F-350 chassis \$33,500.00
- 1992 GVM HydraSpray, 540 SS tank, 50' booms, Raven, SS wash tank & nozzle box \$29,900.00
- 1992 GVM HydraSpray, 540 SS tank, 50' booms, Raven, 30 gal. wash tank \$29,100.00

Grain Body

- Grain Body, 18' Snyder Dump Body \$ 4,750.00

Pull Sprayer

- 1000 Gallon John Blue Pull Sprayer, tandem axle, L-3000 pump, 40' booms \$ 5,600.00

High Clearance

- 1983 Hydra Track (Nickles), 200 gallon SS tank, 40' hydraulic booms, 5' clearance, 1292 hrs \$ 9500.00
- 1991 GVM HyRise, 430 SS tank, 50' booms, Raven, with HyRise Kit on 90" wheel centers \$37,500.00

Truck Spreaders

- 1994 TranSpread, 7 ton fertilizer, 9.5 ton lime, SS box with Raven Controller \$12,500.00
- 1994 TranSpread, 12 ton fertilizer, 16 ton lime, SS box with Raven Controller \$14,500.00
- 1994 Kodiak with 1995 SS TranSpread, 8 ton fertilizer, 10 ton lime, new tires \$59,900.00
- Double Duty SS Spreader body, 7 ton fertilizer, 10 ton lime, Dickey-john controller \$ 8,500.00

Miscellaneous

- Chem Farm Pull between, 500 gallon elliptical tank, 47' booms, 3 pt attach \$ 2700.00

Pull Spreaders

- 1995 TranSpread, 8 ton fertilizer, 10 ton lime, flotation tires, single axle \$11,500.00

Loaders

- 1985 Mobility 4x4 Dipper Loader \$ 6,200.00
- 2- 1985 Mobility Dipper 4x4 Loaders \$ 5,100.00