

J.L. HOLLINGER & SONS INC.

RT. 72N, Manheim, PA.

717-664-2444 8 AM To 6 PM

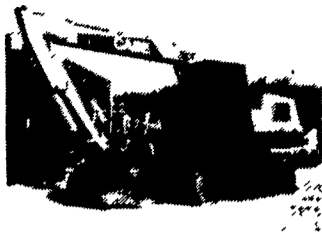
717-665-2354 After 6 PM

NEW & USED Farm & Construction Equip.

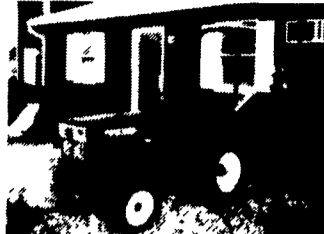
FAX 717-664-2835



Dresser 510B, EROPS Cab, GP Bucket **\$22,500**



Case 880C, EROPS Cab, 42" Bucket **\$19,000**



Yanmar YM169, Compact Diesel, 4x4, w/Post Hole Digger **\$5,200**

EXCAVATORS

Case 888, EROPS Cab, 30" Bucket	\$33,500
Case 880C, EROPS Cab, 30" Bucket	\$19,000
JD 892D LC, EROPS Cab, 42" Bucket	\$72,500
CAT EL 300, EROPS Cab	\$69,000
JD 690C EROPS Cab	\$32,500
Yanmar Excavator w/Blade	\$9,000
Nissan SB30 w/Blade, Rubber Tracks	\$18,500
Cat 215 LC, EROPS Cab, 30" Bucket	\$32,500

FORKLIFTS

JCB 530B OROPS Canopy, 4WD, Shooting Boom, Front Stabilizers	\$27,500
'89 Gehl DM54 Shooting Boom Fork Lift	Call
'83 JD 480C, 14' Mast, Side Shift	\$16,500
'88 Sellick S88, Shooting Boom, 4WD	\$30,000
Pettibone Super 88, 4WD	\$5,500
Case 580 14' Mast, Gas	\$7,200

LOADERS

JD 644C EROPS Cab, Forks	\$28,500
Ford A64, 4WD, Art Loader, EROPS cab, GP bucket	\$19,000
'89 JD 210C Loader Tractor	\$19,500
JD 544C GP Bucket, New Tires, EROPS Cab	\$35,000
'84 Dresser 510B GP Bucket, EROPS Cab	\$22,500
JD 644, EROPS Cab, GP bucket	\$12,500
JD 544B EROPS Cab, Forks	\$18,500
'90 Case W14B, Erops Cab, GP Bucket	\$36,500
Case W20, 4WD, Articulated Wheel Loader, EROPS Cab, GP Buk	\$22,500
Case 380 Tractor Loader	\$5,500

BACKHOES

'88 Case 580K, EROPS Cab, Standard Hoe	\$26,500
'86 Case 580E, EROPS Canopy, Standard Hoe, 4WD	\$22,500
'87 Case 580K EROPS cab, extend-a-hoe, 4WD	\$28,500

SKID LOADERS

Bobcat 943, GP Bucket, Aux. Hydros	\$12,500
'94 Gehl 4625DX, Aux. Hydro, GP Bucket	\$12,000
'90 Bobcat 843 GP bucket, aux. hydros	\$12,000

(2) '93 Case 1840 GP Bucket, Aux. Hyd	\$12,000/ea.
'87 Case 1845C, GP Bucket, Aux. Hydros	\$11,500
Bobcat 543 w/Hoe	\$9,200
JD 575 GP Bucket	\$7,750

LOG SKIDDERS & GRADERS

'85 JD 548D, Grapple Skidder	\$25,000
'83 Timberjack 380, Grapple Skidder	\$16,500
'78 JD 670 EROPS Cab, Front Scafire, Side Snow Wing	\$37,000

TRAILERS

'91 Interstate 10 Ton Tag-a-long, Air Brakes	\$6,200
Frehauf 35 Ton Drop Deck 45' Length	\$3,750

CRAWLERS

JD 350C, Crawler Loader, GP Bucket, OROPS Canopy	\$10,500
JD 450C, 4N1 Bucket, OROPS Canopy	\$12,500
JD 650C, 6-Way Angle Blade, OROPS Canopy	\$42,500
Cat 953 Crawler Loader, GP Bucket, Rebuilt Bottom	\$39,500
Cat D3C Crawler Dozer, 6 Way Angle Blade, OROPS canopy	\$30,000
'89 JD 555G, Crawler Loader, GP Bucket, ROPS Canopy	\$37,500
'91 Case 650 Crawler Dozer, 6-Way Angle Blade, ROPS Canopy	\$42,500
'81 Cat D3B Crawler Dozer, 6-Way Angle Blade, ROPS canopy	\$21,500
JD 555 CLB, OROPS Canopy, GP Bucket	\$22,500
'89 JD 355D, Crawler Loader, GP Bucket	\$17,500

MISCELLANEOUS

Burrows Tub Grinder, PTO Drive	\$4,750
JD 6200 EROPS Cab, 4wd, Quickattach Loader	CALL
'76 JD 762 Elevatin Scrapper	\$30,000
Terex S-7 Scrapper	\$9,500
'90 Case Maxi-Sneaker w/Cable Plow	\$8,500
'79 Raygo 320A Dirt Roller, ROPS	\$16,500
(2) '94 JD Gators, 2x4, w/dump bodies	\$4995/ea.
Bobcat 909 Backhoe Attach	\$5,750
Bobcat 909 Backhoe Attach	\$4,200
Yanmar 169 4x4 Compact Tractor	\$5,000
Bradco 9' backhoe attach	\$4,150

FALL CLEARANCE SALE



Magnum 7110, 130 HP, 2WD, low hours **\$34,900**



Gehl 2170 Mower-Conditioner, 9'3" cut, **\$7,795 w/0% Financing**



Case 580E Loader Backhoe 4WD/Cab/Extendahoe **Reduced to \$19,500**



Massey Ferguson 50A Industrial Tractor Loader No. 3 Pt. or P.T.O., **\$4,995**



Case 1845 Diesel New Tires, Record. **Reduced to \$7,000**



Deutz-Allis Baler, 5 X 6 Auto Electric Tie, good for Corn Fodder, **\$4,595**



Knight Bigg Auggie 12 280 cu. ft. **Reduced \$2,595**



Case 455C Crawler Loader **\$16,500 \$15,900**

FARM EQUIPMENT (some new)

New Idea hay tedder, 10' pull type, new	\$1,375
New Idea 319 mounted corn picker, FARMALL mounting kit	\$695
New Idea 270 cut ditioner, 7', good for corn fodder	\$995
New Idea bar rake 8'6", hyd. demo -new warranty	\$2,900
Forage Blowers N. Holland, Gehl, IH	\$200-\$800
New Holland 355 grinder mixer, 7' auger extension	\$2,195
New Holland 718 forage harvester, 2 row & hay pickup	\$2,295
New Holland 273 baler & thrower	\$1,495
Gehl 12 ton running gear tandem, used	\$1,300
Gehl forage box, 16x6, roof, 3 beater, new	\$5,795
Gehl 2170 mower conditioner, 9', new at used price	\$7,795
Gehl TR680 corn head	\$200
MF 20C tractor/loader, cab, 3 pt., PTO	\$6,900
MF 2 bottom disc plow	\$300
MF 50 tractor loader, cab, diesel, no 3 pt.	\$4,995
Fordson 8' disc harrow, 3 pt.	\$495
Bush Hog 12' disc harrow, transport, needs work	\$295
A-C field cultivator, 12' pull type, transport	\$395
Deutz Allis round baler, 5x6 soft core	\$4,995
Case IH #14 subsoil V chisel, 5 shank, auto reset (new)	\$5,495
Case IH 3800 disk harrow, 12' cushion gang (demo)	\$5,900
Case IH 1820 cultivator, 4 row W/N	\$2,250
Case IH 5300 grain drill, fully equipped (new)	\$7,195
Case 60 loader fits DB 1210, good condition	\$995
Case 1835B, Diesel, low hours	\$8,500
Case 1845, Diesel, One owner, good	\$7,000

MANURE SPREADERS

Gehl 322 Scavenger, 1 yr. old	\$9,900
Martin 1678 Scavenger, 2200 gal. good for slurry	\$1,895
JD 200 bushel box spreader for parts or cart	\$100
New Idea 244, tandem axle, 320 bushel	\$1,195

MISCELLANEOUS ITEMS

ROPS, rollbar for Case 380 tractor	\$250
Army trailer, 6'x6' w/stakes, bows, canvas	\$500
Dual wheels, 18.4x34, axle mount, tires poor	\$295
Truck tail gate, hydraulic lift	\$395
Grille guard for 85, 95 series Case IH	\$250
Canopy for small tractor	\$150
Rear mount 3 pt. hitch boom pole	\$75
Myer 7' front snow plow	\$495

LOADER BUCKETS

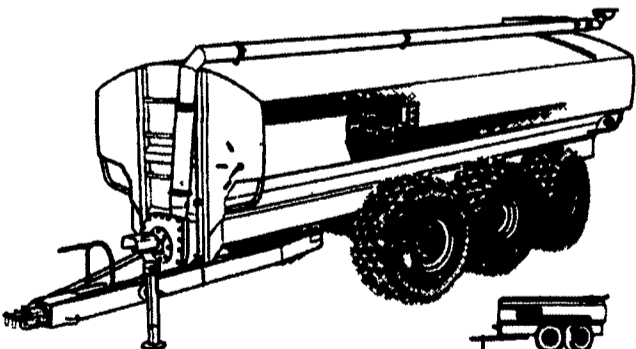
Gehl 72" light material bucket, 27 cu. ft., current hookup (new)	\$795
73" dirt bucket (originally for 1845C)	\$100
73" manure fork for 1845/1845B	\$100
72"x24" straight scraper for 1845/1845B	\$125
1.75 cu. yd. bucket for Case W14 wheel loader, new	\$1,900
Pallet fork attachment, universal mount (not for skid steer)	\$795
Bale spear, universal mount for farm tractor loader, new	\$295
Frost point backhoe npper tooth	\$350
Backhoe buckets, Ford, starting at	\$300

MOWERS & SCRAPER BLADES

Woods 5' rotary mower, 3 pt., new	\$845
Bush Hog 6' rotary mower, 3 pt., new	\$1,175
Bush Hog 6' rotary mower, 3 pt., new heavy duty	\$1,595
Bush Hog 7' rotary mower, 3 pt., new heavy duty	\$2,125
Bush Hog 8' disc mower, 3 pt., new	\$5,295
Case IH 6' finish mower, 3 pt., 1 year old	\$975
Case IH 6' finish mower, 3 pt., used	\$295
Keen Kutter 6' rotary mower, 3 pt., used	\$400
Woods 5' scraper blade, 3 pt., new (20 HP)	\$265
Woods 6' scraper blade, 3 pt., new (40 HP)	\$380
Woods 6' scraper blade, 3 pt., new (60 HP)	\$550
Woods 7' scraper blade, 3 pt., new (40 HP)	\$410
Woods 7' scraper blade, 3 pt., new (60 HP)	\$775

LIQUID MANURE SPREADER

WITH FLOTATION TIRES TO MINIMIZE SOIL COMPACTION
Available with complete line of spreading tool bars and precise flow control to spread manure the ecological way eliminating spray drift and reducing odors. Our tool bars are designed to apply hog or dairy manure on growing fields, between rows of corn or on harvested fields.



4-8 OR 8 WHEEL SPREADERS WITH POWER STEERING-3850 TO 9500 US GAL.

SPREADERS WITH SINGLE AXLE OR TANDEM-2350 TO 6000 US GAL.

- "V" shape bottom for more complete clean out.
- Standard exterior finish: epoxy primer and urethane paint.
- Low profile tank for maximum visibility and stability.

HOULE

AGI-POMPE

AGITATES BOTTOM SEDIMENTS AND SURFACE OF PIT AT THE SAME TIME

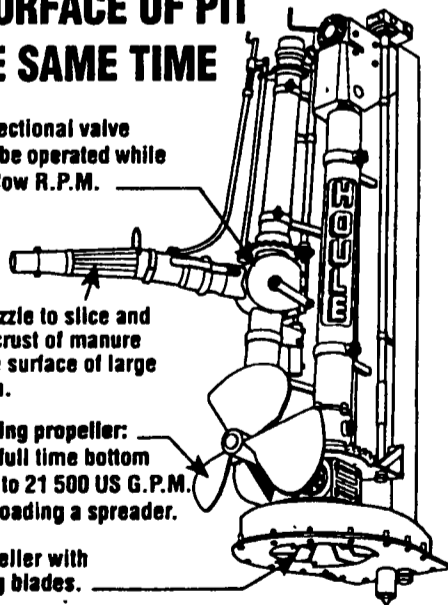
Rotative directional valve designed to be operated while P.T.O. is at low R.P.M.

Powerful nozzle to slice and agitate the crust of manure covering the surface of large holding area.

24" dia. mixing propeller: Providing a full time bottom agitation up to 21 500 US G.P.M. even while loading a spreader.

20" dia. impeller with self-cleaning blades.

Bottom gear box with oil bath protected by a greaseable 3 seals mechanism on each shaft. Available in 5 versions for concrete pits.



Rent the **NEW HOULE** Steering Axle Spreader

HOULE Spreaders & Pumps In Stock for Immediate Delivery



Cedar Crest Equipment

Two Convenient Locations

608 Evergreen Rd.
Lebanon, PA 17042
(717)270-6600
1-800-646-6601

RD 2 Box 271
East Earl, PA 17519
(717)354-0584

A.L. HERR & BRO.

Park Ave., Quarryville, PA 17566
(717) 786-3521
We Ship Parts U.P.S.