

FORKLIFTS

2,000 TO 15,000 LB.

\$1,000 TO \$12,000

GAS/LP-DIESEL-ELECTRIC

Cushion-Pneumatic-Rough Terrain

New Komatsu Forklifts Available

PA INDUSTRIAL EQUIPMENT

(610) 369-9778

PERRY COUNTY RECYCLING CORPORATION

ASPHALT DRIVEWAYS - RECYCLED ASPHALT

We Deliver ANYWHERE! Call for Rates. Eliminate ALL Dust & Mud Problems in your Driveway by using our Recycled Asphalt Products. Very Reasonably Priced. Good for use in Farmers Driveways, Barn Yards, Parking Lots, Camp Roads, Mountain Driveways. WILL NOT WASH AWAY! DER APPROVED. Call for more Details & more info.

(717) 567-6782



1971 Hough Model H120C Serial #4196. IH 6 Cyl. Turbo Diesel. Most Major Components Rebuilt. 10 Yd. Bucket, ROPS, In Running Condition. \$10,500.00 OBO. (717) 367-3692 Daytime

3 SILOS AND UNLOADERS

MARTIN'S SILO REPAIR

Moving Concrete Stave Silos

- Gunite Relining
- Fill Pipes
- Distributors
- Roofs
- Replacement Doors
- General Repair

907 Centerville Rd. New Holland, PA 17557 (717) 445-9834

Harry L. Troop

R.D. #1, Box 158, Cochranville, PA 19330 610-593-6731

- 20 Ft. Badger Ring Drive Unloader.....\$800
- Jamesway Barn Cleaner Unit, Like New.....\$900
- 28 Ft. H-Tech Lagoon Pump.....\$4,000
- N-Tech 3300 Gal. Tanker.....\$7,500
- Automatic 1200 High Capacity Roller Mill \$4,000
- Jamesway 170 Tumbler Mixer, New
- Auger & Tube.....\$1,500
- 24 Hr. Weaverline Cart 400 Hrs. Stainless w/Stainless Augers.....\$2,800
- Used Water Bowls.....\$15.00 each
- 42 Gutter Grates 16" Gutters.....\$20.00 each
- 8 Ton Feed Bin w/Auger
- Used Barn Cleaner Chain and Starline Units

BADGER'S AGRI SERVICE, INC.

Dillsburg, PA 15 miles South of Harrisburg 717-432-8377 Brian Badger

Goliath Standard Cutter Chain - Longest Warranty Available

Chain 48 - Strongest Chain Available

Micor Epoxy Floors - Always Had A Warranty

Rissler Wooden TMR Mixers & Conveyors - Long Lasting & Versatile. Get More For Your Automation Dollar

Lancaster Level-Flo Goosenecks - More Feed In Your Silo And Faster Without Plugging The Lines

Goliath And Hercules Sprockets - 42 Month Pro-rated Warranty

Highest Quality Replacement Parts And Service

Not affiliated with A.O. Smith Harvestore Products, Inc.



Sollenberger Silos Corp.

Sollenberger Silos Crop. Quality Concrete Structures Since Before 1910 Get The Precast Advantage



Precast Bunker Panels 8'6" Height Side Wall Panels 5'2" or 7'6" Center Wall Panels 5'2" Corner Panels Tongue & Grooved Bolt Together Sections



Sollenberger Silos Corp.

Box N Chambersburg, PA 17201 (717) 264-9588 Poured Concrete Silos Since 1908

Office Number - 717-264-9588

For Upright Silos Call Bob Francis 717-263-6383 - Evenings - Tabb Justus 717-762-8663

Sollenberger Silos Corp. - Box N, Chambersburg, PA 17201

Name _____
 Address _____
 City/State/Zip _____
 Phone _____ County _____
 Please Send Info. On: 1. Manure Pits
 2. Bottom Unloading Silos 5. Feed Bunks
 3. Top Unloading Silos 6. Cattleguards
 4. Precast Bunker Silos 7. Industrial

THINK CONCRETE WHEN PLANNING YOUR FEED STORAGE!!



The major costs on dairy and livestock farms are related to FEED: production...harvesting...storage...purchases...delivary to animals. Significant savings in time and money are possible when you store and deliver your feed from a poured concrete silo.

"As margins narrow, dairymen need to invest in efficiency: This can have as great an influence on Profit as milk price changes."

Protect your valuable feeds from rain, sleet, snow, mud, ice, wind and the sun's heat. Reduce the stress. INCREASE THE EFFICIENCY OF YOUR FEEDS, LABOR, AND LIVESTOCK!

At Sollenberger Silos Corp. we know a lot about feed storage and handling; we've been in the business since 1908. If your plans call for new feed storage, give us a call...We'd like to contribute to your success!!

"This is the kind of silo you need to protect your valuable feed."

NO USED SILOS!
 NO REBUILT SILOS!
 NO PRE-OWNED SILOS!
 ALL NEW FOR YOU.

MEMBER: International Silo Association/PA Forage and Grassland Council/AM., Society of Agricultural Engineers/Crop Storage Institute.



Sollenberger Silos Corp.



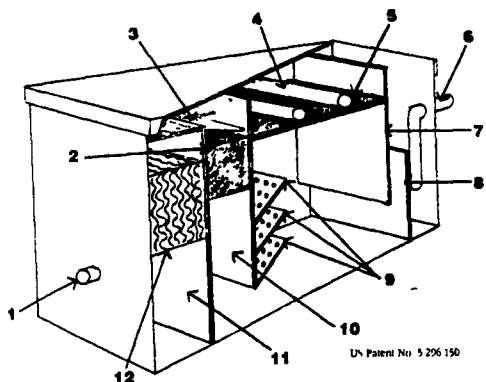
See Binkley & Hurst Bros. Inc.

for

Environmental Pretreatment Systems

for Oily Wash Water, Etc.

You've Asked For It! It's Here...



- 1. INFLUENT PORT
- 2. LIQUID MEDIA
- 3. DIFFUSER PLATE
- 4. KNIFE BLADE SKIMMERS
- 5. TRAMP OIL TO BE SKIMMED OFF
- 6. EFFLUENT
- 7. BUFFER DAM
- 8. FINAL BUFFER DAM
- 9. COALESCING PLATES
- 10. INVERTED WIER
- 11. PRIMARY WIER
- 12. HONEYCOMB CLARIFIER

The EPS 500 Liquid Media Separator

- 1. Flow Rate: Up to 8 G.P.M. (Larger flow rates quoted on request)
 - 2. Type: Liquid Media Separation with Coalescing and Clarifier Plates
- OPTION
- 1. Constructed of: 3/4" welded P.V.C. (no rust problems)
 - 2. Auto controls and pump

Emulsified Oil? No Problem:

- 1. EPS 502 Oil Coagulation System
- 2. OSD - 100 & OSD - 200 Oil Coagulation Chemicals (non-citric)



FUTURA® PRESSURE WASHERS SCAM SPRAY®

ALSO CUSTOM DESIGNED UNITS AVAILABLE

BINKLEY & HURST BROS. INC.

SALES-PARTS-SERVICE

133 ROTHVILLE STATION ROAD, LITITZ, PA 17543

"A Full Line of Pressure Washers and Related Parts"

MARTY WEAVER SALES RES 717/656-8232 BUSINESS: 717/628-4705 FAX: 717/628-0886