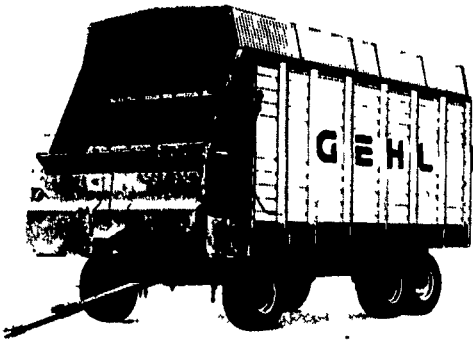


YOUR BEST FORAGE BOX VALUE



GEHL's new BU980 Self-unloading forage box has been redesigned for improved performance and durability. Features include:

- True variable-speed drive for infinite unloading speeds.
- Single lever control.
- Improved beater design.
- Stronger drive chain and reinforced roof.
- Standard highway light package.
- Optional folding 18-inch conveyor extension

In Stock and Available for delivery.
GEHL FINANCE OFFERS:
 Cash Discounts,
 Waiver or Low-Rate Financing
 Call for Details

Gehl Force
 The Force Behind Farming

GEHL

Lebanon Valley Implement Co., Inc.
 700 E. Linden Street, Richland, PA 17087
 717-866-7518

MFWD Kubota w/Quick-Tack Loader,
 2600 hrs., Dual Outlets, 72" Bucket,
 Schuttle, Hi-Lo, 18.4x28 Tires, 3 Pt.,
 Very Good Condition, Lebanon Co.
 717-867-4495

USED EQUIPMENT

- NH 269 Baler w/Thrower, Good Condition
- NH 853 Round Baler Net Wrap
- NH 892 Chopper 824 Head
- NH 892 Chopper w/3 Row New-Pick Up
- New Idea 212 Spreader, Good Cond.
- 1994 L 785 Skid Loader, 680 Hours
- Case 1070 Tractor
- New Brillion 12' Pulvimulcher, Weathered
- 1993 New Idea Hay Rake, New Cond.
- 10' Rau Tiller, Exc. Cond.
- JD 13' Drill
- New Idea 3825 Spreader, Good Cond.
- N. Tech 2300 Liquid Spreader, Good Cond.
- Harsh 290 Feeder Wagon, Exc. Cond.
- N.H. 800 Spreader, New Drags
- Bushhog SM 60 Hydro Bank Mower
- New Idea 1994 4845 Round Baler, Like New
- New Idea 279 Cuditioner
- New Holland 499 Haybine Hydro-Swing
- New Holland 716 Box w/12 Ton Gear
- 14' Ontario Drill — As Is
- (2) NH 30 Blowers
- NH 28 Blowers
- 16A John Deere Flail Chopper, Exc. Cond.
- Hesston Pt-10 Haybine — As Is

"Give Us A Try Before You Buy"

J. DAVID MULLINX & SONS, INC.
 (410) 489-4363 — FAX (410) 489-7634
 14420 Howard Rd., Dayton, MD 21036

- Cub Cadet 2072 w/60" Deck
- Cub Cadet 1872 w/60" Deck
- Cub Cadet 2084 w/60" Deck
- Gravelly Pro Master 30H w/72" Deck
- Case IH 255 4WD w/Loader

USED EQUIPMENT

- NI 3639 manure spreader
- IH 530 Spreader
- JD 1219 Mower Conditioner
- IH 1190 9' Mower Conditioner
- IH 800 6R Planter
- Kuhn 200 Mower Conditioner
- Kuhn SC300 Mower Conditioner
- IH 510 Drill 18x7
- Woods HD 315 Mower
- NI 484 Round Baler
- Gehl 1500A Round Baler
- NH 66 Baler
- 72" Manure Forks for 2250 loader
- JD Forage Blower
- (1) Little Giant 28' Elevator
- Cub Cultivators
- Cub 54A Blade
- NI Drop Spreader
- NI 555 Baler
- Woods RM 59 Mower
- Woods RM 500 Mower
- Mott 5' Mower
- Woods 1250 Mowing Machine w/Bagger
- Kuhn GF5000 17' Tedder
- Befco 090 Mower



New Woods 3180 Mower
 1000 RPM
 w/ Solid Tires

BIGGS INCORPORATED
 190 Biggs Hwy., Rising Sun, MD
 410-658-5531

CASE III

SPECIAL OF THE WEEK



Case IH 2096, 4,202 Hrs.
\$21,500.00

- IH 1086, cab & air.....\$11,500
- IH 685 w/loader, shuttle shift.....\$14,250
- IH 500 ag crawler, gas, PTO, 3 pt., hyd., front weights.....\$5,900
- IH Farmall 230, fast hitch.....\$2,200
- Case IH 2096, cab, air, 4x4.....\$21,500
- MF 3650, cab, air, 4x4.....\$27,500
- MF 3650, cab & air, nice.....\$21,000
- MF 2745, cab & air.....\$7,500
- MF 699, cab & air.....\$14,000
- MF 390, diesel, multi powered.....\$13,900
- MF 390, 4x4, w/838 loader.....\$19,000
- MF 360, 4x4, w/loader.....\$15,000
- MF 285, multi power, cab.....\$6,500
- MF 255, diesel w/loader.....\$8,500
- MF 20, cab w/loader.....\$7,500
- Oliver 1855, diesel, WF.....\$6,200
- Oliver 1850, diesel.....\$4,750
- Oliver 1750, diesel, w/cab.....\$4,200
- JD 4040, cab, quad.....\$17,000
- JD 4020, powershift.....\$8,500
- JD 3150, 4x4, 4 Post.....\$22,900
- JD 2840, hi-low shift.....\$7,600
- JD 2750 w/loader, hi-low shift.....\$17,500
- JD 2640, hi-low, 2 remotes.....\$12,600
- JD 2550, 4x4 w/loader.....\$18,000
- JD 330, diesel w/4' mower deck.....\$2,500
- Ford 7600, dual power.....\$7,400
- Ford 5000, cab.....Coming In
- Deutz DX160, cab, air, 2WD, 1000 shaft.....\$8,000
- Deutz DX140, 4x4, cab & air.....\$11,800
- Deutz DX120, 4x4, cab & air.....\$11,750
- AC D12 w/loader.....\$3,600
- AC 8070, powershift, 4x4.....\$26,000
- Cat D5 Ag crawler.....\$9,500
- Cat D4 Ag crawler.....\$7,500
- Gehl 4610 diesel skid loader.....\$9,500
- Taylorway 7' Soil Saver.....\$3,900
- NH 254 Flake Tedder.....\$2,400
- Hesston 3700 Flake Tedder.....\$1,400
- JD 8300 Grain Drill, 18 Run Grass Seeder.....\$1,800
- Miller offset disc, 12'.....\$4,500
- MF 40 Offset Disc, 12'.....\$2,500
- NH 18' double fold disc.....\$5,200
- Case 12' chisel plow.....\$1,100
- JD 4200, 4 btm., 2 way plow.....\$3,500
- (3) AC 12' field cultivators.....\$950
- 24' Fold-up Danish Tine field cultivator w/level harrow.....\$1,800
- 12' Brillion cultipacker.....\$800
- 6 Ft. 3 Pt. Rotary Mower.....\$850
- 7' 3 pt. heavy duty mower.....\$1,500
- JD 300 corn picker w/343 head.....\$5,000
- IH 7 Shank Auto Reset V Ripper.....\$4,900
- 18.4x38 & 20.8x38 duals.....\$1,000
- NI 551 baler w/thrower, like new.....\$3,200
- MF 540 combine, diesel, cab & air.....Coming In
- JD 4420 diesel combine.....\$9,000
- MF 1143 4RN corn head.....\$3,000
- JD 443 4 RN corn head.....\$3,500
- Gehl 99 silage blower.....\$850
- Badger silage blower.....\$500
- Kato-Light 10KW alternator.....\$1,000

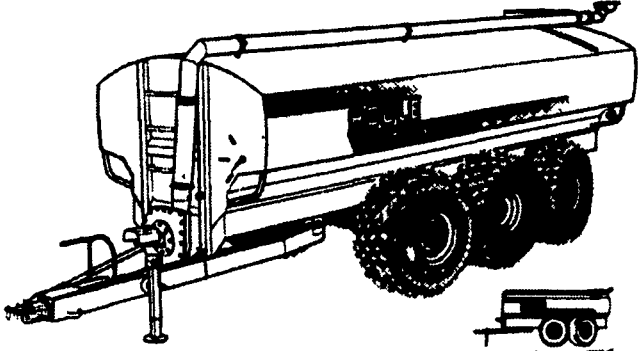
Financing Available

L & M BURKHOLDER
 Between Brownstown & Rothsville
 Ephrata, PA

Shop 717-859-8616
 717-859-2960 (Residence) 717-859-2712 (Residence)

LIQUID MANURE SPREADER

WITH FLOTATION TIRES TO MINIMIZE SOIL COMPACTION
 Available with complete line of spreading tool bars and precise flow control to spread manure the ecological way eliminating spray drift and reducing odors. Our tool bars are designed to apply hog or dairy manure on growing fields, between rows of corn or on harvested fields.



4-6 OR 8 WHEEL SPREADERS WITH POWER STEERING-3650 TO 9500 US GAL.

SPREADERS WITH SINGLE AXLE OR TANDEM-2350 TO 6000 US GAL.

- "V" shape bottom for more complete clean out.
- Standard exterior finish: epoxy primer and urethane paint.
- Low profile tank for maximum visibility and stability.

AGI-POMPE®

AGITATES BOTTOM SEDIMENTS AND SURFACE OF PIT AT THE SAME TIME

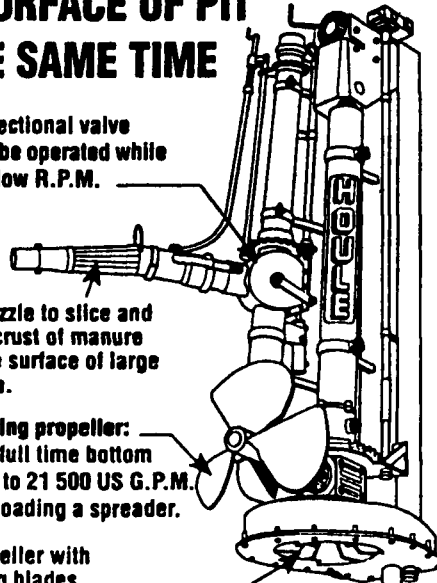
Rotative directional valve designed to be operated while P.T.O. is at low R.P.M.

Powerful nozzle to slice and agitate the crust of manure covering the surface of large holding area.

24" dia. mixing propeller: Providing a full time bottom agitation up to 21 500 US G.P.M. even while loading a spreader.

20" dia. Impeller with self-cleaning blades.

Bottom gear box with oil bath protected by a greaseable 3 seals mechanism on each shaft. Available in 5 versions for concrete pits.



Rent the **NEW HOULE** Steering Axle Spreader

HOULE Spreaders & Pumps In Stock for Immediate Delivery



Cedar Crest Equipment

Two Convenient Locations

608 Evergreen Rd.
 Lebanon, PA 17042
 (717)270-8600
 1-800-646-6601

RD 2 Box 271
 East Earl, PA 17519
 (717)354-0584