

KELLER'S FARM MACHINERY

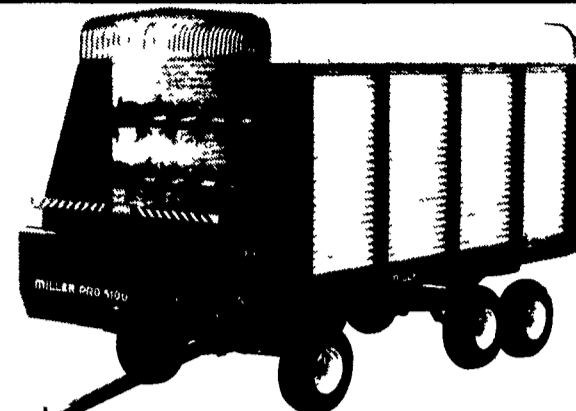
116 Richlandtown Pike
Quakertown, PA 18951
215/536-4046

TRACTORS

JD 850 4x4 w/loader
JD 2440, 2300 hrs.
JD 401D w/Loader
JD 60, PS, 3 pt.
Ford 5610, 4x4 w/Loader
Ford 4600 w/Ford Loader
Ford 1910 w/Ford Loader
Ford 445 w/Loader, 3 pt.
Ford 1100 w/4' Finish Mower
Ford 4610, 8 Speed, New Tires & Paint
Ford 9N w/loader
Ford 7700, 1 w/Cab, 1 without
Ford 801D w/loader, P.S.
Ford 5000D, 8-speed, power steering
Ford 8N Rebuilt, new paint
Ford 1715, 4x4 w/Loader
Ford 4000 Loader & Backhoe
Ford 555A, Tractor Loader Backhoe
Farmall C w/single front wheel
Ford 1210, 4x4, 5' Belly Mower
Ford 4630 fully equipped, like new
Ford 3230 w/300 Hrs.
Ford 3910 Series 2, 8 Spd. w/snow plow
Farmall Cub w/Woods Mower
IH 300 w/Loader & Fast Hitch
MF 35 w/loader, PS

MILLER PRO

Model 5100 Forage Box



...The Ultimate Forage Box

- Unitized High Strength Steel Box
- 4-Speed Transmission Operates in a Sealed Oil Bath
- Independent Feathering Clutches for Metering Augers and Outfeed
- Best Warranty in the Industry



4-speed shift-under-load gear transmission

LOWEST PRICES OF SEASON


Call For Details

ZIMMERMAN FARM SERVICE


1 Mile West off Rt. 501
On School Road, Bethel, PA
717-933-4114

MILLER ST. NAZIANZ
Miller-St. Nazianz, Inc.
St. Nazianz, WI 54232-0127
Toll Free 1-800-247-5557

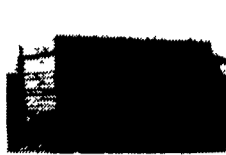
Quality Equipment for Farming in the 1990s




MAGNUM 7110, 2WD
(2 To Choose From)
From \$35,000
Waiver Til 1-1-96




New Gehl 2170 Mower-Conditioner, 9'3" Cu
\$7,995



SPECIAL OFFER
(1) One Leftover Forage Box (NEW) Gehl 970, 16x6, 3 beater, roof on 12 ton tandem gear (running gear is used)
\$7,300



Deutz-Allis Baler, 5x6 Soft Core, Auto Electric Tie
\$6,500



NH 718 Forage Harvester, w/Hay Pickup & 2 row
\$2,900

USED TRACTORS/SKID STEERS
Magnum 7110, 2WD, 1150 Hours
Case 1835B Diesel Unloader
Case 1845 Diesel Unloader
Case 455C Crawler Loader
MF 50A Tractor Loader Cab, No 3 Pt.

HAY & FORAGE
Deutz Soft-core Round Baler
Case IH 8530 Baler w/Thrower, Demo
NH 310 Baler w/Motor
NH 273 Baler w/Thrower
IH 56 Forage Blower

MISCELLANEOUS
Knight Auggie 12 TMR
NI 2 Row Mounted Corn Picker
Mechanical Transplanter - 2 Row Pull
Case 60 Loader, not quick attach
NH 355 Grinder Mixer w/auger extension

A.L. HERR & BRO.
Park Ave., Quarryville, PA 17566
(717) 786-3521
We Ship Parts U.P.S.

Norm Shores & Son Tractor

RR 5, Towanda, PA 18848
717-265-9014

JD 4620, syncro range
JD 4430, cab, air, 77 model, excellent
JD 4240, 4 Post quad, good condition
JD 4020 dsl side console
JD 4020, Side Console w/roll bar
JD 4020, power shift, side console
Ford 7710 cab, air, 4WD, same as new
Ford 7710 w/almost new QT loader
Ford 7700, cab, air, dual, power, weights
Ford 7700 w/roll bar
Ford 7600 w/factory cab, dual power
Ford 5610 Series II, cab, air, loader, low hours
Ford 801 Gas, w/5 spd. & PS
Case 2290, cab, air, power shift, very nice
Case IH 5120, cab, air, 4WD, power shift
Case IH 685, 4WD w/Case IH 2255 QT Loader, very nice
IH 826, WF, 3 pt.
IH 1456, 2 PTO's, 2 remotes
MF 3545, cab, air, 4WD, nice

USED PLOWS AND CHISELS

Ford 151 4 or 5x18 regular trip
White 508, 4x16 spring auto reset
IH 720, 4x18 spring auto reset
IH 720, 5x18 spring auto reset
Oliver 588, 4x18 spring auto reset
JD 1710 9-Tooth Disc Chisel w/tandems

USED DISCS AND HARROWS

Brillion 24' transport spring tooth harrow, exc.
Knowles 20' transport spring tooth harrow
JD 215 13' finishing disc
Bush Hog 1440 Disc, 18' wing fold rock flex

USED HAY EQUIPMENT

JD #10 side mounted mower, fits 3010, 3020, etc.
NH 848 w/Bale Command and Wide Pick-up
JD 625 3 Pt. Hyd. Drive Hay Rake
FNH 489 Haybine
NH 477 Haybine
NH 479 Haybine

USED FORAGE EQUIPMENT

JD 3970, 92 model, all options w/3RN corn & 7' hay head
JD 3970, electric controls
Gehl 970, 3 Beater, Roof, Tandem, like new
(3) Dion Forage Wagons
Gehl 860 w/2 heads
Gehl 1060 Harvester w/2 heads
Gehl 1065 Harvester, like new w/2RN corn
Gehl FB88 Forage Blower
NH 3 RN Auger Base Package w/8' Pickup

LOADERS & SKID STEERS

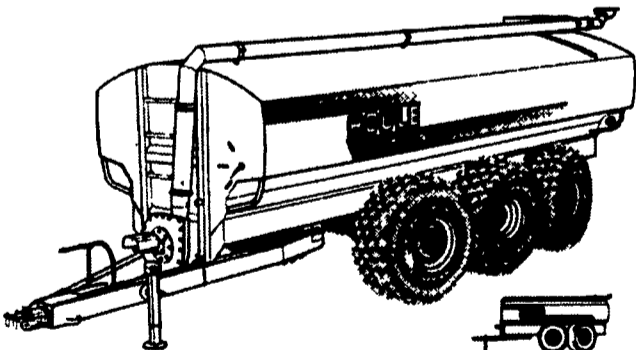
NH 785 skid steer w/boom hyd., good condition
NH LX 665 turbo skid steer, 300 hrs.
NH 455 Skid Steer, 1988 Model, nice
Ford 772, QT, fits 5000 to 7610
Freeman Loader for JD Utilities
Ford 727 loader, fits 4, 5, or 7000 tractors
IH 2250 Loader w/Brackets

MISCELLANEOUS

Heneke large tub grinder, very nice
JD 350 Dozer w/6-way blade
JD 7000 4R Conservation planter w/Monitor
Stoltzfus Wet Lime Spreader
NI 325 2RN Picker

LIQUID MANURE SPREADER

WITH FLOTATION TIRES TO MINIMIZE SOIL COMPACTION
Available with complete line of spreading tool bars and precise flow control to spread manure the ecological way eliminating spray drift and reducing odors. Our tool bars are designed to apply hog or dairy manure on growing fields, between rows of corn or on harvested fields.



4-6 OR 8 WHEEL SPREADERS WITH POWER STEERING-3850 TO 9500 US GAL.

SPREADERS WITH SINGLE AXLE OR TANDEM-2350 TO 6000 US GAL.

- "V" shape bottom for more complete clean out.
- Standard exterior finish: epoxy primer and urethane paint.
- Low profile tank for maximum visibility and stability.

Rent the **NEW HOULE** Steering Axle Spreader

HOULE

AGI-POMPE®

AGITATES BOTTOM SEDIMENTS AND SURFACE OF PIT AT THE SAME TIME

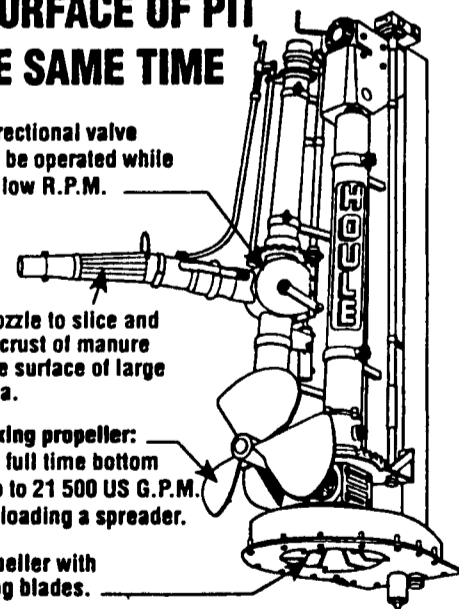
Rotative directional valve designed to be operated while P.T.O. is at low R.P.M.

Powerful nozzle to slice and agitate the crust of manure covering the surface of large holding area.

24" dia. mixing propeller: Providing a full time bottom agitation up to 21 500 US G.P.M. even while loading a spreader.

20" dia. impeller with self-cleaning blades.

Bottom gear box with oil bath protected by a greaseable 3 seals mechanism on each shaft. Available in 5 versions for concrete pits.



HOULE Spreaders & Pumps In Stock for Immediate Delivery



Cedar Crest Equipment

Two Convenient Locations

608 Evergreen Rd.
Lebanon, PA 17042
(717)270-6600
1-800-646-6601

RD 2 Box 271
East Earl, PA 17519
(717)354-0584