

GLEANER



New Gleaner R-62 w/Grain Head - Now In Stock!

USED EQUIPMENT

Used NH, Gehl, Bobcat Skid Loader
444 AC Baler
NI Mounted Corn Picker, Very Good Shape
Mc Rotary Sythe w/70 HP Diesel

**NEW & USED
BOBCAT'S IN STOCK**

**FINANCING & LEASING
AVAILABLE**

SHIP PARTS DAILY UPS

GLEANER COMBINES

L II Combine w/6 Row
Cornhead & 15' Grain Head
M Combine
F w/Corn & Grain Head

USED TRACTORS

Ford 861 Tractor
AC 7060 Powershift Tractor, Excel. Cond.
IH 806
AC-20
AC XT190 Series III
AC 7040 Powershift Tractor
AC 7050 Tractor
AC 190XT (Good Cond.)
IH 3444 With Loader
Heaton 6066 Tractor, 4WD
Oliver 66, Good Cond.
Case 580D
Case 580B

New & Used
Woods Mowers

Ontario
Grain Drill

GRUMELLI'S FARM SERVICE INC.

929 ROBERT FULTON HWY.
QUARRYVILLE, PA 17566
717-786-7318



1.5 Mile South Of Quarryville On 222
See Salesman: Tony Grumelli, Don Fichtner

**FARM
EQUIPMENT**

"Call Us For Your New Equipment Needs.
Ask About Our Program Options."

TRACTORS

Ford 801
Case 1690, 2500 Hrs.
Case 1210 Tractor, Good Condition
Ford 545A Ind. w/4x4 Torque Conv. Trans.

HAY TOOLS

NH 479 Haybine
(2) NH 488 Haybine
NH 489 Haybine
NH 499 Haybine
NH 256 Rake
JD 640 Rake
NH 66 Baler
NH 280 Baler w/ Thrower
JD 375 Round Baler, Hyd. Tie, Very Good

FORAGE

NH 782 w/Heads
Gehl 870 Blower
NH 770, 540 PTO, Good Condition

SKID STEER LOADERS

NH L-775 Diesel, Very Good
Bobcat 642B, New Tires

SPREADERS & GR. MIXERS

NH 327 Single Beater
NH 791
NH Tank Spreader
NI Ground Drive Spreader
Gehl 120XD

MISC.

Meyers Equalizer, VG Condition
NH Elevator
72" Sunshine Finishing Mower
Mott Flail Mower 3 Pt.
Case IH 4500 Vibra Shank
500 Gallon Century Sprayer, VG Condition
Demo: 918 Ford Flail Mower

(717) 243-2686

R & W EQUIPMENT

35 E. Willow St., Carlisle, PA
Parts Shipped UPS



Claas Rollant 46 Roto Cut Baler
wide pick-up head - net wrap
New List Price \$22,000
will sell for \$16,900 (used 1 year)
(reason for selling-taking out hay field)
(315) 539-2764

**Attention
Landowners**

**The Mahoning Outdoor Furnace
will cut your heating cost**

▲ Provide you with hot water

▲ Provide you with additional
heating capabilities For:

Second house or Garage

Pool or Hot Tub

Workshop or Green House

Milk House or Veal Barn

▲ It burns wood and coal

▲ The Multi-fuel Model burns
wood, coal and either gas or oil

▲ It's clean, safe, and efficient

**Mahoning
Outdoor
Furnaces**

"The natural way to heat"

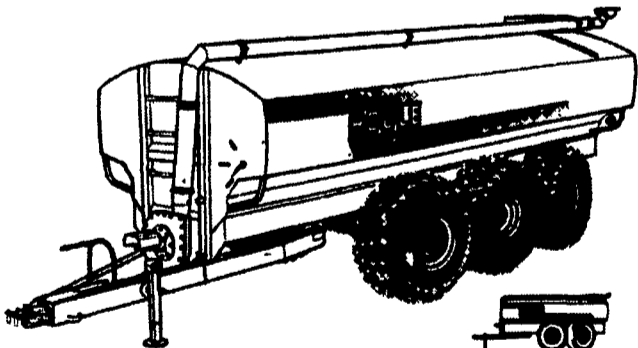
**MAHONING OUTDOOR
FURNACES**

814-277-6675

Call For Dealer Location Nearest You

**LIQUID
MANURE SPREADER**

WITH FLOTATION TIRES TO MINIMIZE SOIL COMPACTION
Available with complete line of spreading tool bars and
precise flow control to spread manure the ecological way
eliminating spray drift and reducing odors. Our tool bars
are designed to apply hog or dairy manure on growing
fields, between rows of corn or on harvested fields.



4-6 OR 8 WHEEL SPREADERS WITH POWER
STEERING-3850 TO 9500 US GAL.

SPREADERS WITH SINGLE AXLE OR
TANDEM-2350 TO 6000 US GAL.

- "V" shape bottom for more complete clean out.
- Standard exterior finish: epoxy primer and urethane paint.
- Low profile tank for maximum visibility and stability.

AGI-POMPE®

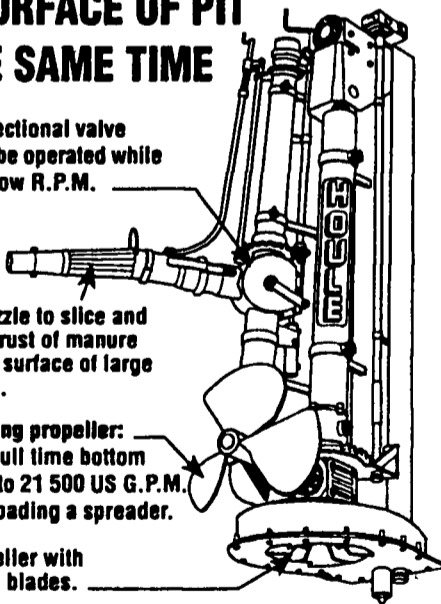
**AGITATES BOTTOM SEDIMENTS
AND SURFACE OF PIT
AT THE SAME TIME**

Rotative directional valve
designed to be operated while
P.T.O. is at low R.P.M.

Powerful nozzle to slice and
agitate the crust of manure
covering the surface of large
holding area.

24" dia. mixing propeller:
Providing a full time bottom
agitation up to 21 500 US G.P.M.
even while loading a spreader.

20" dia. impeller with
self-cleaning blades.



Bottom gear box with oil bath protected by a greaseable 3 seals mechanism on each shaft. Available in 5 versions for concrete pits.

Rent the **NEW HOULE**
Steering Axle Spreader

HOULE Spreaders &
Pumps In Stock for
Immediate Delivery

Cedar Crest Equipment

Two Convenient Locations

608 Evergreen Rd.
Lebanon, PA 17042
(717)270-6600
1-800-646-6601

RD 2 Box 271
East Earl, PA 17519
(717)354-0584



WANTED:

**USED
FORD &
KUBOTA
TRACTORS**

Call 717-949-2000
Daytime

**2 FARM EQUIPMENT
WANTED**

JD 2350 MFD or similar,
good condition, prefer w/
loader. 814-355-1853 if no
answer, leave message.

Loader & fenders (38tn
wheels) for C.I.H. 885
4WD. 610/488-1344
evenings.

WANTED: 3pt hitch PTO
powered backhoe for 24hp
Kubota. 717/275-5308.

WANTED: ACHD5 winch,
also forks. Call Wednesday
evening only. 6:30-7
717-365-3874.

WANTED: Gussin bale
chopper w/Honda motor
(410)643-5017.

WANT: JD #42 combine
gear box at end PTO shaft.
Also 35 to 40' Laminated
Rafters for Cow Barn
(301)733-1231.