



J & L hay-saver feeds 20 cattle.
New, improved, round hay-bale feeder feeds large or small hay bales along with square bales. It proves to save hay. This feeder is built of heavy 1 1/4" pipe and 1/2" steel for ring. Available with 1/4" steel or treated 3/4" plywood floors. This 1,200 lb. feeder is built to last.

Call for more information.
J & L Equipment
St. Thomas, PA
(717) 369-2637

RED TAG NEW EQUIPMENT SPECIALS

- Case IH 365 14' VT Field Cultivator 3 Pt.
- Case IH 3800 13'7" Disk Harrow
- Case IH 900 4RN Planter
- Case IH 5300 20x6 Plain Drill
- Case IH 2200 Loader
- ★ Case IH 8309 9' Disc Mow/Cond.
- Case 1845C Skid loader

USED TRACTORS & EQUIPMENT

- IH 184 cub low boy, 60" mower, turf tires
- IH 574-D w/loader
- IH 884 MFD w/loader
- Farmall 460 Diesel, Mechanic Special
- ★ Farmall 1066, clean local good condition
- Ford 5000 w/Loader
- Case 2094 4WD, local tractor
- ★ Case IH 5220, 2WD, ROPS, 600 hrs.
- Case IH 5250 Cab MFD, 800 Hrs.
- Case IH 7110 Cab, MFD, Loaded, Warranty 12/95
- ★ MF 231 ROPS, 60 HP, Like New
- Oliver Super 77, Good Condition
- JD 2010 RC w/ROPS, canopy
- ~~AC 5000~~
- MF 65
- MF 165 w/loader
- MF 175
- ★ Case 1816C Uni Ldr. Good, Low Hrs.
- Case 1825-D 50 Hrs. Like New
- ★ Case 1830 Rebuilt Motor/Hyd's
- ★ Gehl 4610 44HP 1000 Hrs.
- Gehl 4625, 65" bucket, low hours, good condition
- ★ Brillion HCDA 731 Coultter/Chisel 9'
- Case IH 720 6x18 Tog-Trip, On Land
- JD 2450 7x18 Auto, On Land
- MF 880 6x16 Auto, In Fur
- Case IH 475 Disk w/Coil Tine Mulcher
- IH 510 18x7 Plain Drill
- ★ Case IH 8350 12' Mower Conditioner
- Hesston 1014 Mower Conditioner
- NH 411 Discbine
- ★ NI 5209 Disc Mower Conditioner, 9'
- ★ Case IH 600 Blower
- NH 27 Blower
- Gehl 7200 Fall Chopper
- ★ NH 890 Harvester 2RN, Pickup
- ★ Case IH 781 Harvester 2RW/N, P/up (2)
- Gehl 970 Boxes w/12T Tandem
- Peerless P500 Roller Mill/Mixer
- Gehl 95 Grinder Mixer
- Case IH 2255 Loader, Cab Controls
- IH 2350 Loader
- Case IH 540 Spreader
- NI 3810 Silage Spreader



Old Rt. 22 West ★ Bellwood Intersection
Cresson, PA Altoona, PA
Cambria Co. Blair Co.
814-886-4183 814-742-8171

1995 CASE CORPORATION **CASE II**

INVESTMENT TRACTORS FOR SALE

56 FERG 35	New (0 Hours) Not Redone-Brand New !!!	23900.00
56 JD 420S	3pt-As Received	2900.00
56 JD 420U	Rare Options-Clean-With Mower	3900.00
57 JD 620S	Standard-Nicely Redone-Well Above Average	5300.00
56 JD 70S	Standard-Diesel-Good Tin-Good Rubber	2000.00
59 JD 730S	Pony-Standard-Nicely Redone	5100.00
55 JD 80	Off Farm Condition-Fair Tires-Good Tin	4000.00
56 JD 80	As Received	4700.00
58 JD 820	Runs-No Pony-Poor Tires-Fair To Gd Tin	2300.00
60 JD 830	Cab-Pony-PTO-As Received	4100.00
59 JD 830	Pony-Poor Tires-Good Tin-Runs	4600.00
59 JD 830	De-Overhauled-80% Tires-Good Tin-Redone	8500.00
36 JD A	Unstyled-Runs Good-Easy Restore-Good Tin	2000.00
35 JD A	Unstyled-Good Tires & Tin-Decent Paint	2200.00
51 JD AR	Styled-Nicely Painted-New Rear Tires	4500.00
40 JD B	W/Cult-Fair Tin-Good Tires-Runs Good	750.00
41 JD B	Decent Tin & Tires-Runs Good	750.00
43 JD B	Styled-Runs Good-Looks Good	900.00
41 JD B	Styled-Runs Good-Looks Good	1400.00
37 JD B	Unstyled-New Rear Tires-Decent Paint	2900.00
37 JD B	Unstyled-Spokes-Nicely Redone-Gd Tin	3400.00
47 JD D	As Received	1250.00
47 JD D	Styled-Loose-Not Running	1800.00
41 JD D	Styled-Hand Start-Good Tin-Decent	2100.00
49 JD D	Styled-Runs-Nicely Redone	3450.00
50 JD G	As Received	2000.00
50 JD G	Try-Decent Tin-Runs Good-Needs Paint	2200.00
51 JD G	Runs-As Received	2500.00
41 JD G	Unstyled-Last Full Year Of Prod.-Nice Unit	4500.00
38 JD G	Unstyled-New Tires-Total Restoration Done	7500.00
45 JD H	PTO-Hyd-Starter-Running Condition	1800.00
JD L/LA	Cultivator	295.00
43? JD LA	Fair Tin-Good Tires-Runs Good	1600.00
49 JD MT	Fenders-Weights-Fair Tin-to Restore-Runs	1500.00
51 JD MT	Try-Good Tin & Paint-Fenders-Clean	2200.00
53 JD R	Runs-Needs Restored	2400.00
60 MF 98	GM Diesel-Runs Good-Nicely Redone	5500.00

*Lots Of Older Sales Literature, Loss And Pedal Tractors For Sale.
Lots Of Owners Manuals/Parts Book—Call.*

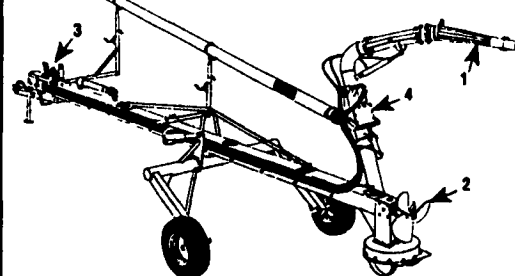
LLOYD WENGER

251 S. Race St., Myerstown, Pa. 17067
717-866-2130 Days 717-866-7147 Evenings

TRAIL AGI-POMPE

32' AND 42' FOR LAGOONS

GREAT PERFORMANCE IN HOG OR DAIRY MANURE



In Stock For Immediate Delivery

- 1-Highly articulated nozzle designed to slice and break the top crust from above the manure level as the propeller homogenises the liquid with the remaining floating chunks.
- 2-24" dia. mixing propeller providing full time agitation up to 21,500 US G.P.M. even when loading a spreader.
- 3-Hydraulic controls can be operated from tractor seat.
- 4-Rotative directional valve designed to be operated at low R.P.M. without stopping the PTO

Gear box oil bath protected by a greasable 3 seals mechanism on each shaft.

AVAILABLE WITH MULTIPURPOSE OPTION TO ALSO CLIMB INTO CONCRETE PITS UP TO 14' DEEP.

**FOR SALE
USED BADGER
3300 Gallon
SPREADER TANK**

HOULE FARM EQUIPMENT MANUFACTURER

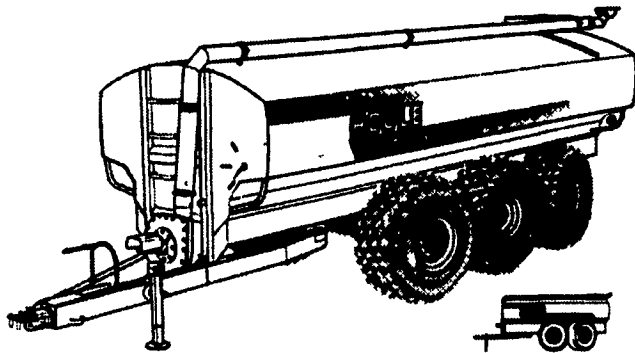
"We're Here To Serve You"

SNOOK'S EQUIPMENT

RD 3, Box 130, Millfinburg, PA 17844
717-966-2736
Ask For Ernest Or Dean

LIQUID MANURE SPREADER

WITH FLOTATION TIRES TO MINIMIZE SOIL COMPACTION
Available with complete line of spreading tool bars and precise flow control to spread manure the ecological way eliminating spray drift and reducing odors. Our tool bars are designed to apply hog or dairy manure on growing fields, between rows of corn or on harvested fields.



4-8 OR 8 WHEEL SPREADERS WITH POWER STEERING-3850 TO 9500 US GAL.

SPREADERS WITH SINGLE AXLE OR TANDEM-2350 TO 6000 US GAL.

- "V" shape bottom for more complete clean out.
- Standard exterior finish: epoxy primer and urethane paint.
- Low profile tank for maximum visibility and stability.

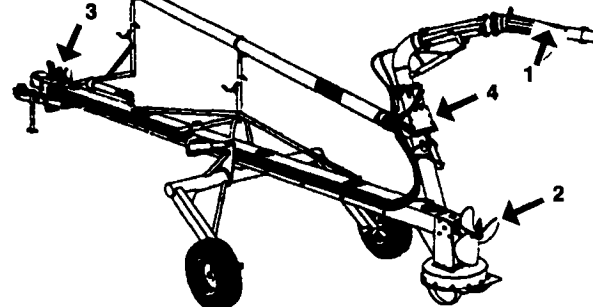
Rent the NEW HOULE Steering Axle Spreader

HOULE

TRAIL AGI-POMPE

32' and 42' for Lagoons

GREAT PERFORMANCE IN HOG OR DAIRY MANURE



- 1-Highly articulated nozzle designed to slice and break the top crust from above the manure level as the propeller homogenises the liquid with the remaining floating chunks.
- 2-24" dia. mixing propeller providing full time agitation up to 21,500 US G.P.M. even when loading a spreader.
- 3-Hydraulic controls can be operated from tractor seat.
- 4-Rotative directional valve designed to be operated at low R.P.M. without stopping the P.T.O.

Gear box oil bath protected by a greasable 3 seals mechanism on each shaft.

AVAILABLE WITH MULTIPURPOSE OPTION TO ALSO CLIMB INTO CONCRETE PITS UP TO 14' DEEP.

HOULE Spreaders & Pumps In Stock for Immediate Delivery



Cedar Crest Equipment

Two Convenient Locations

608 Evergreen Rd.
Lebanon, PA 17042
(717)270-8600
1-800-646-8601

RD 2 Box 271
East Earl, PA 17519
(717)354-0584