

"Call Us For Your New Equipment Needs.
Ask About Our Program Options."

TRACTORS

- Ford 801
- Ford 5000 Selecto - Speed
- Case 1690, 2500 Hrs.
- Ford 276 Bi-Directional w/ Loader, Less Than 2000 Hrs.
- Ford 545A Ind. w/4x4 Torque Conv. Trans.

HAY TOOLS

- NH 479 Haybine
- (2) NH 488 Haybine
- NH 489 Haybine
- NH 499 Haybine
- NH 256 Rake
- JD 640 Rake
- NH 66 Baler
- NH 280 Baler w/ Thrower
- JD 375 Round Baler, Hyd. Tie, Very Good

FORAGE

- NH 770 Harvester, Electric Controls
- NH 782 w/Heads
- Gehl 870 Blower
- NH 770, 540 PTO, Good Condition

SKID STEER LOADERS

- NH L-775 Diesel, Very Good
- Bobcat 642B, New Tires

SPREADERS & GR. MIXERS

- NH 327 Single Beater
- NH 791
- NH Tank Spreader
- NI Ground Drive Spreader
- Gehl 120XD

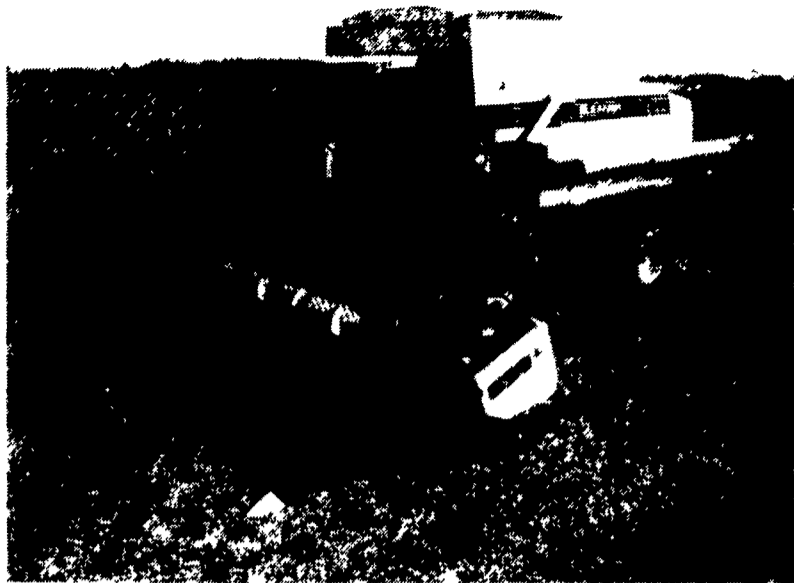
MISC.

- 72" Sunshine Finishing Mower
- Mott Flail Mower 3 Pt.
- Case IH 4500 Vibra Shank
- 500 Gallon Century Sprayer, VG Condition
- Demo: 918 Ford Flail Mower

(717) 243-2686

R & W EQUIPMENT

35 E. Willow St., Carlisle, PA 17013
Parts Shipped UPS Daily



New Gleaner R-62 w/Grain Head - Now In Stock!

USED EQUIPMENT

- Used NH, Gehl, Bobcat Skid Loader
- 444 AC Baler
- NI Mounted Corn Picker, Very Good Shape
- Mc Rotary Sythe w/70 HP Diesel

**NEW & USED
BOBCAT'S IN STOCK**

**FINANCING & LEASING
AVAILABLE**

SHIP PARTS DAILY UPS

GLEANER COMBINES

- L II Combine w/6 Row
- Cornhead & 15' Grain Head
- M Combine
- F w/Corn & Grain Head

USED TRACTORS

- Ford 861 Tractor
- AC 7060 Powershift Tractor, Excel. Cond.
- IH 806
- AC-20 Series
- AC XT190 Series III
- AC 7040 Powershift Tractor
- AC 7050 Tractor
- AC 190XT (Good Cond.)
- IH 3444 With Loader
- Hesston 6066 Tractor, 4WD
- Oliver 66, Good Cond.
- Case 580B

New & Used
Woods Mowers

Ontario
Grain Drill

GRUMELLI'S FARM SERVICE INC.

929 ROBERT FULTON HWY.
QUARRYVILLE, PA 17566
717-786-7318



1.5 Mile South Of Quarryville On 222
See Salesman: Tony Grumelli, Don Fichtner

COWAN EQUIPMENT

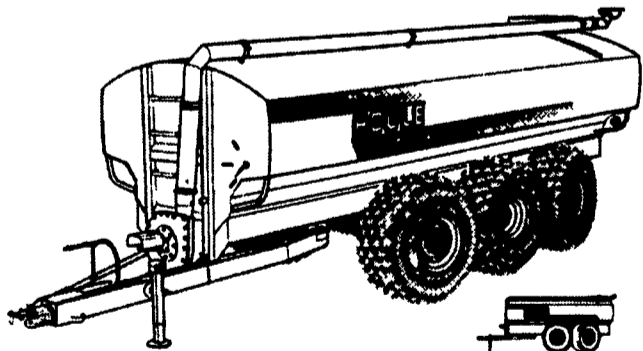
Martinsburg, PA
814-793-4293 Day or Evening
or 814-793-9797

Wanted: Fly Wheel & 3 Pt. Hitch
Complete For JD 730 Diesel

- JD 5820, 4x4 chopper
- JD 5400, 4x4, chopper
- NI 802, 4x4 w/chopper
- NH 1895, 4x4 chopper
- NH 1890 4x4 chopper
- NH 1880 chopper
- JD 435 round baler
- JD 375 round baler
- JD 2555, cab & air
- JD 2555
- JD 4050, 4 post, quad range
- JD 2950, fender
- JD 2950, cab & air
- JD 2750, 2WD
- JD 2350, 4x4
- JD 4440, cab & air
- JD 2940, cab & air, 4x4
- JD 4630, cab & air, quad range, 4x4
- JD 4430, cab & air, power shift
- JD 4430, 4 post, quad range
- JD 2630 w/145 loader
- JD 4520 w/year-round cab
- JD 4320 w/year-round cab
- JD 4020, '72 model, power shift
- JD 4020, '72 model
- JD 2020, diesel, 2,700 hrs.
- JD 730, diesel
- JD 620
- JD 520
- JD 450 crawler loader
- IH 1086, cab & air
- IH 1066, fender, black stripe
- IH 856
- IH MTA w/Wide Front
- Ford TW25, cab & air, 4x4
- Ford 6600
- White 2-105 fender, '78 model
- Oliver 1365, 4x4
- MF 375, like new, 1,000 hrs.
- MF 20 industrial w/loader
- NI 325 corn picker, 12 roll bed
- NI 325 corn picker, 8 roll bed
- JD 443 corn head
- JD 4 row narrow conversion corn head
- Gleaner 430 corn head
- White 1730 GT loader
- JD 148 loader
- Axle mount duals for IH 38".....\$650

**LIQUID
MANURE SPREADER**

WITH FLOTATION TIRES TO MINIMIZE SOIL COMPACTION
Available with complete line of spreading tool bars and precise flow control to spread manure the ecological way eliminating spray drift and reducing odors. Our tool bars are designed to apply hog or dairy manure on growing fields, between rows of corn or on harvested fields.



4-6 OR 8 WHEEL SPREADERS WITH POWER
STEERING-3850 TO 9500 US GAL.

SPREADERS WITH SINGLE AXLE OR
TANDEM-2350 TO 6000 US GAL.

- "V" shape bottom for more complete clean out.
- Standard exterior finish: epoxy primer and urethane paint.
- Low profile tank for maximum visibility and stability.

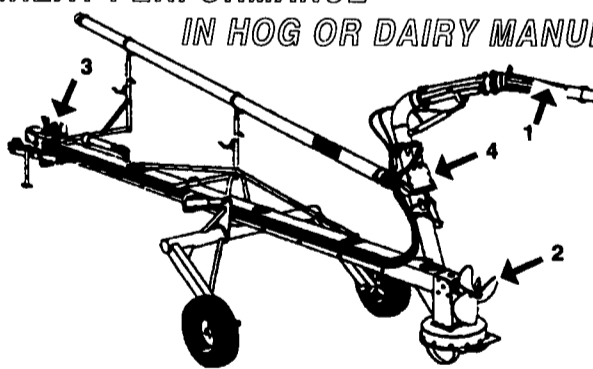
HOULE

TRAIL

AGI-POMPE

32' and 42' for Lagoons

GREAT PERFORMANCE
IN HOG OR DAIRY MANURE



- 1-Highly articulated nozzle designed to slice and break the top crust from above the manure level as the propeller homogenises the liquid with the remaining floating chunks.
- 2-24" dia. mixing propeller providing full time agitation up to 21,500 US G.P.M. even when loading a spreader.
- 3-Hydraulic controls can be operated from tractor seat.
- 4-Rotative directional valve designed to be operated at low R.P.M. without stopping the P.T.O.

Gear box oil bath protected by a greasable
3 seals mechanism on each shaft.

AVAILABLE WITH MULTIPURPOSE OPTION TO
ALSO CLIMB INTO CONCRETE PITS UP TO 14' DEEP.

Rent the **NEW HOULE**
Steering Axle Spreader

HOULE Spreaders &
Pumps In Stock for
Immediate Delivery



**FIDELITY
TRU-GRIP
FARM TIRES**

**SUMMER
SPECIALS**

- 11.2 - 24...4 PLY.....\$114
- 14.9 - 24...4 PLY.....\$185
- 14.9 - 24...6 PLY.....\$199
- 11.2 - 28...4 PLY.....\$142
- 12.4 - 28...4 PLY.....\$149
- 13.6 - 28...4 PLY.....\$165
- 13.6 - 28...6 PLY.....\$186
- 14.9 - 28...4 PLY.....\$193
- 14.9 - 28...6 PLY.....\$216
- 16.9 - 28...6 PLY.....\$263
- 16.9 - 30...6 PLY.....\$277
- 18.4 - 30...6 PLY.....\$316
- 18.4 - 34...6 PLY.....\$344
- 18.4 - 34...8 PLY.....\$376
- 13.6 - 38...4 PLY.....\$210
- 13.6 - 38...6 PLY.....\$233
- 15.5 - 38...6 PLY.....\$257
- 18.4 - 38...6 PLY.....\$378
- McCREARY SKID-LOADER TIRES
- 10.16.5...8 PLY.....\$80
- 10.16.5...10 PLY.....\$84
- 12.16.5...8 PLY.....\$95
- 12.16.5...10 PLY.....\$99

24 Hour farm tire service
Call us first & save
1-800-437-4961
JOE'S BATTERY & TIRE
2225 UNION BLVD.
ALLENTOWN, PA 18103



Cedar Crest Equipment

Two Convenient Locations

608 Evergreen Rd.
Lebanon, PA 17042
(717)270-6600
1-800-646-6601

RD 2 Box 271
East Earl, PA 17519
(717)354-0584