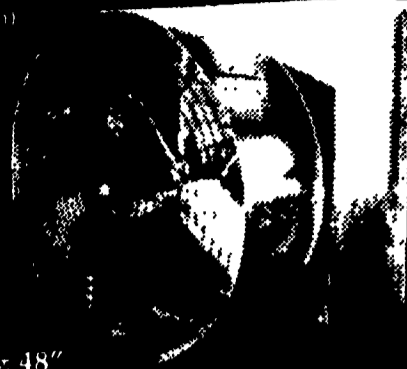
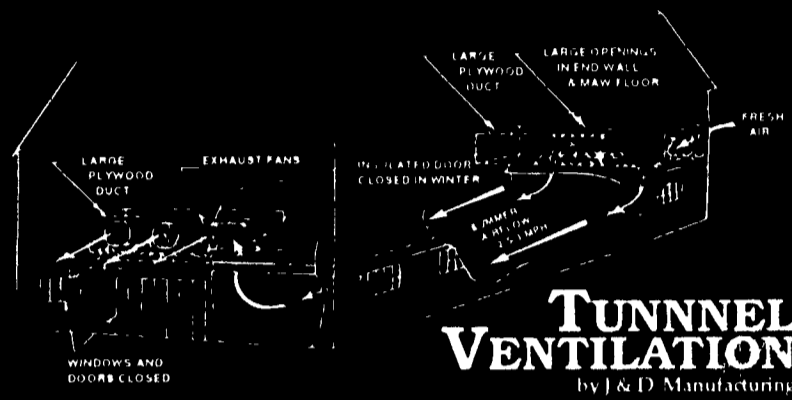


31.0 CFM/Watt 2-Speed
TYPHOON
 23,000 CFM at 26.5 Certified Test
25.6 CFM/Watt Single Speed

- ✓ Heavy galvanized construction - fully assembled
- ✓ 54" intake blutter - 18" fan (shown)
- ✓ 1" stainless steel shaft
- ✓ Aluminum blutter frame with baked white aluminum vane
- ✓ Square body - easy installation
- ✓ Deep cone to reduce back pressure & boost performance
- ✓ High Efficient 3 Blade Galvanized Prop
- ✓ Spring loaded belt tightener
- ✓ Balanced pulley & blades for smooth operation
- ✓ Available in two models - 36" & 48"



**ELIMINATE HEAT STRESS
 INCREASE PRODUCTION TODAY!**

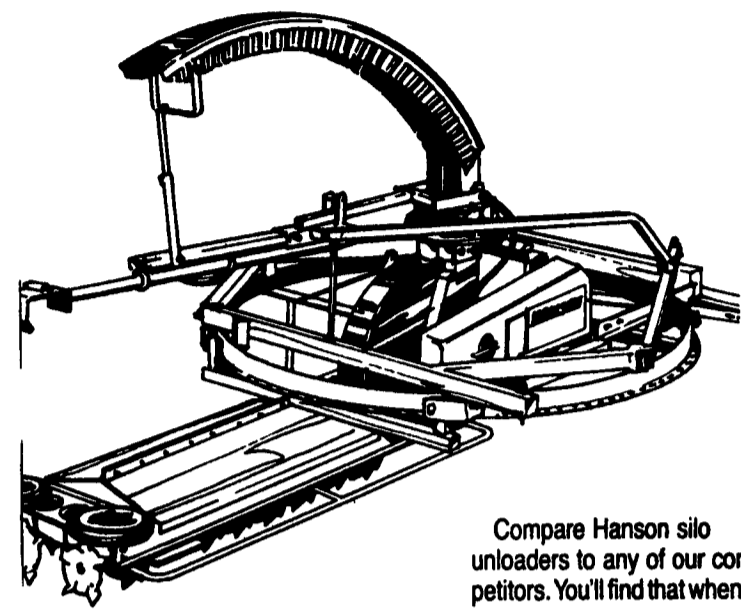


TUNNEL VENTILATION
 by J & D Manufacturing



1-800-998-2398
 For your closest dealer

**Experience can't
 be imitated...
 quality can't be
 copied... Hanson
 can't be beat!**



Compare Hanson silo unloaders to any of our competitors. You'll find that when it comes to value, there's no competition. Hanson. There really *is* a difference.



Check the

- Piston Pumps
- Vertical Electric Pumps
- Vertical PTO Pumps
- Trail'r Type Lagoon Pumps
- Prop Agitators
- 3 Point Hitch Pumps
- High Pressure Manure Irrigation Pumps
- Hydraulic Submersible Pumps
- Side Mount Pumps
- Slurry Tankers
- Vacuum Tankers
- Replacement Parts and Rebuilds for Nesseseth, Badger and Butler Pumps

✓ Check with your **N-TECH Dealer** for the most complete line of high quality, performance-proven liquid manure equipment available
NTH, Inc. Barron, Wisconsin 54812 (715) 537-9207

METKO CONVEYING — FEEDING EQUIPMENT SPECIALISTS

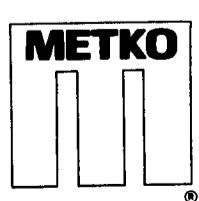
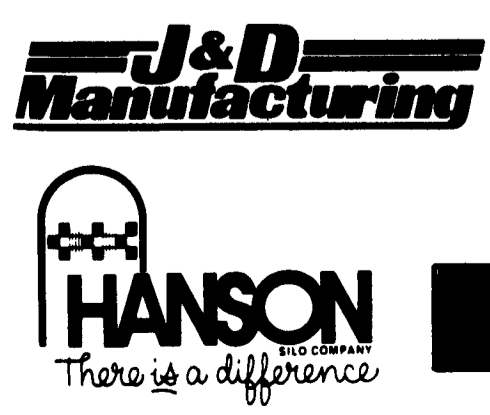
A TMR MIXER WITH A "REEL DIFFERENCE"

METKO 1560 POWER-BLEND® TMR MIXER

TANKERS AND PUMPS ON DISPLAY

METKO 1560 BUILT FOR TODAY... AND TOMORROW

STOP AND SAVE DURING AG PROGRESS DAY - VISIT OUR DISPLAY ON WEST 4TH STREET AND SAVE



**DEALERS THROUGHOUT PA, VA, MD, W.V.
 LOCAL WAREHOUSE # 301-223-5151**
8 AM to 5 PM M-F
CALL FOR THE DEALER NEAREST YOU
 or
CONTACT: KRIS KNUDSEN AREA MANAGER
717-653-0385 FAX 717-653-0243