

Chester Holstein Breeders Hold Field Day

EVERETT NEWSWANGER
Managing Editor

COCHRANVILLE (Chester Co.) — We may have fewer dairy farms in Chester County, but we still have a lot of good kids," said Walter Wurster, Chester County dairy extension agent, speaking at the Chester County Holstein field day at the Melvin Stoltzfus family farm.

"We had an excellent 4-H dairy program this year with 105 animals shown at Kimberton Fair," Wurster said. "Maybe next year the show will be at the new 4-H Center. We expect to break ground on the building to be put up this fall. We think we give the kids a good experience in 4-H."

Wurster said a hoof care meeting was scheduled for Oct. 27 in the Spring City area. In addition, the Animal Housing Expo is scheduled for Nov. 8-9, and a milking school is planned for mid-November.

State Director Jane Pepple said at the July 25 state directors' meeting that the review of the national convention in June was positive. In addition, Pennsylvania now has the national president in John Cope, Grantham. Cope will be the speaker at the Chester County Holstein annual meeting Oct. 26.

In addition, the state board gave PHA approval to pursue a large export heifer order from Peru. They are looking for 1,000 bred heifers and 600 open heifers.

Pepple thanked everyone who helped the association at the Cochranville Carnival this past week. They sold 53 gallons of ice-cream and 64 gallons of milk for milkshakes.

Ken Raney, Pennsylvania Holstein Association, said they are in the middle of two export projects

right now. They need heifers for Japan that must be started on the process of testing right now. These are to be commercial type heifers to make up a 90 head lot to be shipped in early October. These heifers must be bred for November and December.

Also, the state association is working on two plane loads of heifers, 230 head, to be shipped to Saudi Arabia. These heifers are to be shipped in December to bred for February through April.

If you have heifers that may qualify for export, contact your local or state Holstein officials for more information.

Raney also said the state has an active youth program with 2,000 members and 25 different programs for youth. Any family that would like to get involved should contact the state office.

Clarence Stauffer said he wanted to remind everyone of the many different ways available to register cattle and the help that is available to catch up registrations. He said that if you or a neighbor who may not now be registering cattle would like help to bring your herd into the program, you should contact him or any of your local association officials.

Guest speaker was Dieter Krieg, Farmshine, who encouraged everyone to count the blessings on the farm and in America and to encourage young people to stay on the farm.

Winners in the judging contest were:

Youth: 1. Rusty Herr & Keven Nolan, tie; 2. Becky Nolan; 3. Rodney Hostetter.

Women: 1. Marilyn Umble; 2. Mary Lue Glick; 3. Nancy Mae Stoltzfus.

Men: 1. Robert Davis; 2. Dwight Stoltzfus; 3. Richard Mellinger.



Chester County Holstein families gather for summer fun at the Melvin Stoltzfus family farm.



Royalty at the Chester County Holstein field day are from left, Karen Imhoff, Chester County dairy princess; and Erica Lloyd, Julie Sollenberger, and Crystal Kolb, dairy maids.

AG Progress Days

"Penn State AG Science..."

We're More Than You Think"



Increase Your Milk PROFITS

with the **Mount Joy Coop**

Excellent overall price

* Over 60 years of service

653-5431

* Excellent Trucking

Direct Deposit

PARMITER

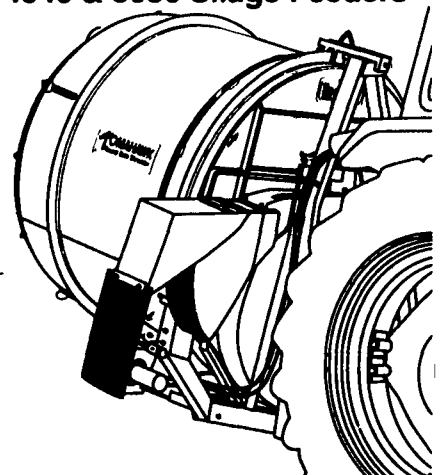
We keep your hay under wraps!



Parmiter Bale Wrappers:

- Easy to use and trouble-free
- Handles bales up to 2,600 lbs. and 6' dia.
- Seals hay with 4 layers of plastic for top-quality silage
- Bale counter standard
- Handles 20" or 30" film
- TR32 Mounted Table Wrapper
- TR76 Automatic Trailed Table Wrapper (for larger operations):
 - ✓ In-cab controls
 - ✓ Mechanical cut & hold
 - ✓ Twin hydraulic cylinders on loading arm

TOMAHAWK
4040 & 5050 Silage Feeders



A cut above the rest! Tomahawk Bale Shredders:

- Drum adjusts for easy loading
- Controls rate of output
- Chops and dispenses dry or wet material
- Delivers material from either or both sides
- Reduces waste/improves profits
- Controlled from tractor seat
- Blockage free operation
- Easy flow, self-cleaning angled blades
- Accepts various round or rectangular bales

**See Us At Ag Progress Days
August 15, 16, 17 West 6th Street**

RYDER SUPPLY
— CO.

539 Falling Spring Road
P.O. Box 219
Chambersburg, PA 17201-0219
717-263-9111