

1 FARM EQUIPMENT

FIELD TESTED FORAGE EQUIPMENT

- NEW HOLLAND 1880 SELF-PROPELLED FORAGE HARVESTER w/Auger Base & Three Row Corn Head.....\$21,500
- NEW HOLLAND 1890S 12 Ft. Sickle Bar Unit.....3,900
- NEW HOLLAND 892 FORAGE HARVESTER w/Metalert.....8,500
- NEW HOLLAND 890 FORAGE HARVESTER.....5,500
- NEW HOLLAND 718 FORAGE HARVESTER.....1,900
- NEW HOLLAND 770 FORAGE HARVESTER.....1,500
- ***Several Heads Available for Above Units***
- FOX 2310 FORAGE HARVESTER w/One Row Corn Head.....4,500
- NEW HOLLAND 30 BLOWER.....1,250
- NEW HOLLAND 27 BLOWER.....950
- BADGER FORAGE WAGON, Roof & 12 Ton Tandem Wagon Gear (Choice of 2).....4,500
- JOHN DEERE 27 FLAIL SHREDDER.....2,900

SEE YOUR CERESVILLE FORD NEW HOLLAND SALESMAN TODAY!!!



CERESVILLE FORD NEW HOLLAND, INC.

8102 Liberty Road, P.O. Box A, Frederick, MD 21701
(301) 662-4197 • 1-800-331-9122
We Ship Parts Every Day



5% Discount On Everything Ag Progress Week

Ford 2120, 4WD-1720 w/dr-1715 4WD, tractors
Ford 4610 SU, power steering, 3 pt., new 5 HR, 540 PTO, new condition, diesel eng...\$12,995
Ford 4400 Tractor, with tiger boom flail mower, good condition, new paint.....\$8,950/obo
Ford 1910, good condition, 4 WD, 3 pt., dual remote, 540 PTO, canopy, 863 hrs.....\$8,500
Ford 8600, 3 pt., PTO, fresh engine.....\$7,950
Ford 800, 3 pt., live PTO, new paint.....\$4,400
Ford 9N's, 3 pt., 540 PTO, runs good.....\$2,200
Oliver 550 tractor, live PTO, 3 pt., power whls.
Kubota B1550, hydra, bi-turn steering w/dr. & under mount mower, 4WD, 499 hrs.
New Holland LB620, loader, backhoe.....\$14,995
Bobcat, model 743 skid loader, diesel engine, canopy, good tires, 2200 hours.....\$7,950
New Ford CM222 mower w/60" front deck, broom Mo Trim mower, 15 ft. boom, fits any 50-70 h.p.
555 Tractor, Loader, Hoe w/4 post, ROPS, used on farm only, nice
555B, 1987, cab 4WD, 2492 hrs., TLB bucket w/forks, nice
555 Tractor, Loader, Hoe w/cab.....\$13,995
Huber Maintainer, good condition, front blade
2- Prime Mover masonry forklifts.\$1,495-\$3,495
Landpride 6 ft. power rake, new w/valve...\$4,950
Kewanee 3 pt. chisel plow, 11 chisels, nice..\$800
Used Disc Harrows, 3 pt., 6', 7' & 9' pull.\$450 ea.
Lely Roterrea 10 ft., shear pin clutch.....\$1,495
Fox Chopper, 2 row corn head, 30", hay head w/sharpener, no motor
2 Forage Wagons
3 Pt. Lely Mower

PARTS: 7710, cab, rear, motor, and 16x16 spd. trans; 4 wheel dr.
9030 3 pt. lift, front and rear; 100 HR motor, and sheet metal; other parts, motor

Tractor, White Road Boss, tandem axle, 13 spd. trans, 1980
1980 International Road Tractor, 7 spd, nice tires, 2 speed rear

Straley Farm Supply
(York Co.) Dover, PA



717-292-2631 Fax 717-292-0422

Martin Tractor

866 Greenspring Rd.
Newville, PA 17241

Used Tractors JD 2010 w/dr. \$2,500; Oliver 1850 3 Spd. \$6,000; IH Super H w/live hyd. \$2,300; JD 530 w/3pt. & front wts. \$4,500; White 2-85 \$8,000; JD 4040, like new, 221 org. hrs.; JD 3020 dsl. 1972 \$9,000

Used Tractor Parts

Most Makes and Models
Have Large Selection
Recent Arrivals: IH C: IH 460; IH 756; AC D17; Ford 4500; IH SM; IH SMTA; Oliver 550; JD 620, IH 560, AC 185, Oliver 880; Ford 900; JD 2130; JD 2840; IH 424; IH 574; Case VAC; Oliver 550; Ford 901

Call (717) 776-7542 or 6057
(717) 776-7327 Fax

for detailed information
MON-FRI 8-5 SAT 8-12
No Sunday Calls Will Ship UPS
No Out-Of-State Personal Checks



SPECIAL OF THE WEEK



MF 390 w/838 Loader, 1800Hr. \$19,000.00

- IH 1086, cab & air.....\$11,500
- IH 806, diesel.....\$3,800
- IH 766, diesel, fenders, nice.....\$8,500
- IH 706, gas.....\$2,500
- IH 685 w/loader, shuttle shift.....\$14,250
- IH 500 ag crawler, gas, PTO, 3 pt., hyd., front weights.....\$5,900
- Case IH 2096, cab, air, 4x4.....\$21,500
- MF 3650, cab, air, 4x4.....\$27,500
- MF 3650, cab & air, nice.....\$21,000
- MF 2745, cab & air.....\$7,500
- MF 1130, multi-power, fenders.....\$5,500
- MF 699, cab & air.....\$14,000
- MF 390, diesel, multi powered.....\$13,900
- MF 390, 4x4, w/838 loader.....\$19,000
- MF 375, 4x4 w/loader.....\$17,000
- MF 360, 4x4, w/loader.....\$15,000
- MF 255, diesel w/loader.....\$8,500
- MF 135, gas.....\$3,800
- MF 20, cab w/loader.....\$7,500
- White 2-70, 4x4 w/cab.....\$9,500
- Oliver 1855, diesel, WF.....\$6,200
- Oliver 1755, diesel.....\$4,500
- Oliver 1750, diesel, w/cab.....\$4,200
- Oliver Moline G1355, cab & air.....\$6,800
- JD 4320, fenders.....\$9,500
- JD 4040, cab, quad.....\$17,000
- JD 4020, powershift.....\$8,500
- JD 3150, 4x4, 4 Post.....\$22,900
- JD 2750 w/loader, hi-low shift.....\$17,500
- JD 2840, hi-low, 2 remotes.....\$12,600
- JD 2550, 4x4 w/loader.....\$18,000
- JD 1050, 4x4 w/loader.....\$11,500
- JD 330, diesel w/4' mower deck.....\$2,500
- Ford 7710, cab, air, 4x4.....\$18,500
- Deutz DX160, cab, air, 2WD, 1000 shaft.....\$8,000
- Deutz DX140, 4x4, cab & air.....\$11,800
- Deutz DX120, 4x4, cab & air.....\$11,750
- AC D12 w/loader.....\$3,600
- AC 8070, powershift, 4x4.....\$26,000
- AC 8050, 4x4, cab, air, powershift.....\$22,500
- Gehl 4810 diesel skid loader.....\$9,500
- JD 2 row potato digger.....\$1,200
- Taylorway 7' Soil Saver.....\$3,900
- NH 254 Rake Tedder.....\$2,400
- Hesston 3700 Rake Tedder.....\$1,400
- JD 8300 Grain Drill, 18 Run Grass Seeder..\$1,800
- JD AW Disc.....\$800
- Gehl 940 Tandem Wagon.....\$2,400
- Miller offset disc, 12'.....\$4,500
- MF 40 Offset Disc, 12'.....\$2,500
- Case 12' chisel plow.....\$1,100
- JD 4200, 4 btm., 2 way plow.....\$3,500
- (3) AC 12' field cultivators.....\$950
- 24' Fold-up Danish Tine field cultivator w/level harrow.....\$1,800
- 12' Brillion cultipacker.....\$800
- 6 Ft. 3 Pt. Rotary Mower.....\$850
- JD 300 corn picker w/343 head.....\$5,000
- IH 7 Shank Auto Reset V Ripper.....\$4,900
- 18.4x38 & 20.8x38 duals.....\$1,000
- NI 551 baler w/thrower, like new.....\$3,200
- JD 4420 diesel combine.....\$9,000
- MF 1143 4RN corn head.....Coming in
- MF 63 cornhead.....\$1,100
- JD 443 4 RN corn head.....Coming in
- NH 718 chopper w/1 row corn head.....\$1,500
- Gehl 99 silage blower.....\$850
- Badger silage blower.....\$500
- Kato-Light 10KW alternator.....\$1,000

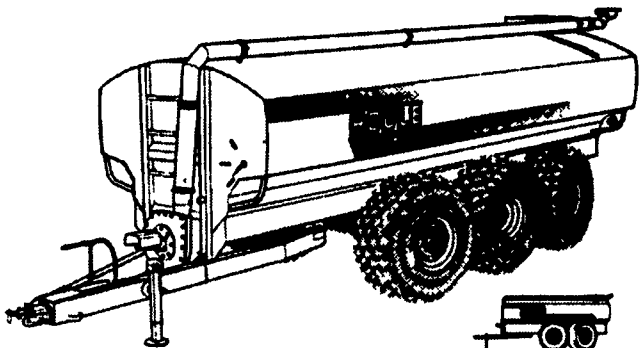
Financing Available

L & M BURKHOLDER
Between Brownstown & Rothsville
Ephrata, PA

Shop 717-859-6616
717-859-2960 Mel (Residence) 717-859-2712 Lloyd (Residence)

LIQUID MANURE SPREADER

WITH FLOTATION TIRES TO MINIMIZE SOIL COMPACTION
Available with complete line of spreading tool bars and precise flow control to spread manure the ecological way eliminating spray drift and reducing odors. Our tool bars are designed to apply hog or dairy manure on growing fields, between rows of corn or on harvested fields.



4-6 OR 8 WHEEL SPREADERS WITH POWER STEERING-3850 TO 9500 US GAL.

SPREADERS WITH SINGLE AXLE OR TANDEM-2350 TO 6000 US GAL.

- "V" shape bottom for more complete clean out.
- Standard exterior finish: epoxy primer and urethane paint.
- Low profile tank for maximum visibility and stability.

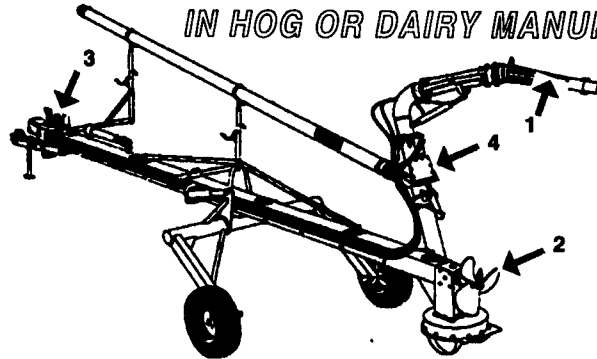
HOULE

TRAIL

AGI-POMPE

32' and 42' for Lagoons

GREAT PERFORMANCE IN HOG OR DAIRY MANURE



- 1-Highly articulated nozzle designed to slice and break the top crust from above the manure level as the propeller homogenises the liquid with the remaining floating chunks.
- 2-24" dia. mixing propeller providing full time agitation up to 21,500 US G.P.M. even when loading a spreader.
- 3- Hydraulic controls can be operated from tractor seat.
- 4-Rotative directional valve designed to be operated at low R.P.M. without stopping the P.T.O.

Gear box oil bath protected by a greasable 3 seals mechanism on each shaft.

AVAILABLE WITH MULTIPURPOSE OPTION TO ALSO CLIMB INTO CONCRETE PITS UP TO 14' DEEP.

Rent the NEW HOULE Steering Axle Spreader

HOULE Spreaders & Pumps In Stock for Immediate Delivery



Cedar Crest Equipment

Two Convenient Locations

608 Evergreen Rd.
Lebanon, PA 17042
(717)270-8600
1-800-646-8601

RD 2 Box 271
East Earl, PA 17519
(717)354-0584