

**MAILBOX MARKET
FOR SALE**

3020 John Deere diesel with westerner loader 50 John Deere tractor restored both excellent condition. Lycoming Co. 717-546-6531.

AC t114 rubber tire loader bad buda diesel engine for parts or total machine \$500 OBO after 8 p.m. St. Mary's Co. 301-475-8949.

John Deere 243 corn head with adapter to fit hesston chopper ex cond 30in rows. Bedford Co. 814-766-2310.

Oliver 620 square baler with thrower 1st \$600 takes it. Monroe Co. 717-992-4178.

Barley straw \$60 a ton or make offer old style milker units from surge milking parlor. Lebanon Co. 717-865-5930.

Ferguson 3pt two row cultivator \$195 old barn cleaner and milking parlor components best offer. Lanc. Co. 717-738-4715.

New large insulated dog house \$140 new electronic dog training collar \$180. Berks Co. 610-689-5893.

NH 770 chopper 2 row cornhead plus grasshead good knives \$900 NH 24 blower \$75. Hunterdon Co. 908-782-3162.

2 disassembled grain bins 24x24' \$1800 each cultivator jd \$500 round wire corn cribs 14 or 16ft evenings. Bucks Co. 215-249-3616.

AC 5040 diesel tractor for parts or restoration ac wd45 tractor with jd cycle bar mower runs ok. Chester Co. 610-593-5387.

Breeders dalmation liver white some registered some not toy male poodle small could make a breeder \$350. Chester Co. 610-273-2408.

Abaton hand scanner for Macintosh computer \$100 OBO. Big & Grondahl Mother's Day plates 1970-1988 \$300 for collection. Call after 5 p.m. Lanc. Co. 717-569-8150.

Cash gora goats for sale excellent for hand spinners \$50 each bucks and does. Montgomery Co. 215-343-0640.

Troy blit rototiller with new 5hp kawasaki engine \$600 OBO. Lanc. Co. 717-354-0192

20000 gallon steel tank \$650 2010 jd industrial loader tractor \$2500. Lanc. Co. 717-899-2539.

Wallace 3 ton gantry crane adj height 8ft to 12.5ft on wheels new \$4590 sell \$2000 ideal for shop. Del Co. 610-358-0725.

Pony cart \$125 english saddle okay \$65 horse harness \$95 pony harness \$85 all okay. Lebanon Co. 717-272-6819.

Guernsey family cow due July 15 Isaac Hoover 529 Matindale Rd New Holland PA 17557. 1/2 mile south Terre Hill. Lanc. Co.

6yr old standardbred carriage horse trotter upheaded broke. Samuel Hoover 403 Wissler Rd New Holland PA 17557. Lanc. Co.

Swenson 13ft hydraulic cylinder spreader with spinner new chain lights paint \$2000 woods 10ft offset rotary mower \$1025. Berks Co. 215-679-3478.

Simplicity diesel garden tractor hydro 48in cut bolens 18hp hydro 48in bolens 12hp 38in 7hp troy blit rototiller. Schuylkill Co. 717-345-2224.

NH67 pto baler \$450 carbon arc torch for use with welder \$45. York Co. 717-266-1468.

Van dale silo unloader 14ft \$600 patz barn cleaner counter clockwise \$400 both good shape BO. Sam Stoltzfus 265 Millwood Rd Gap PA 17527. Lanc. Co.

Old roof slate also wide roof boards. Henry Stoltzfus 388 Bartville Rd Kirkwood PA 17538. Lanc. Co.

Western saddle not fancy but good condition \$80 firewood all hardwood \$40 for face cord. Lanc. Co. 717-445-5503.

701 unit system 717 combine 711 grainhead 723 cornhead shed kept. Cumberland Co. 243-9447.

100pcs fir 2x12"x18' 80pcs 2x12"x12' steel frames 2x12" perlins and 2x6" side nailers for a 50x162' pole building keeno egg room cooler. RD2 Box 64-1 HoneyBrook PA 19344.

JD 3pth 150 gal sprayer \$200 jd bwa 12ft disc w/harrow after 7 p.m. Middlesex Co. 609-448-1241.

MF 120 baler hay basket both like new jd440 wheel loader f20 td6 pto ford 23100 tractor w/600 hrs. Adams Co. 717-528-4914.

2 units of 4 stalls ea for starting calves \$50 ea 30 gal lp gas water heater \$50 hayward de pool filter good cond \$100. York Co. 717-244-3146.

1948 american lafrance pumper parts truck \$500 OBO chemical carts \$100 OBO deck gun no tips \$300. Ocean Co. 908-929-8393.

H80 pull type combine 7ft head straw spreader bin extensions very nice \$1800. Warren Co. 908-852-4699.

Poultry equipment hi lip feed troughs some only 4yr old motors gear boxes sprockets gehl 120 mill pully belt. Lanc. Co. 717-733-0635.

Foley beisaw 1055 foley 359 saw setter complete cold storage 300gal stainless vat potato grader 4.5"x12" auger 3500 apple crates 75 animal traps. Col Co. 717-672-1148.

Ford ranger 4x4 v6 4spd o/d 7ft bed tint windows 4 new radials no rust excellent mechanically 20+mpg \$3000 OBO. Cecil Co. 410-398-7680.

Chev motor model 250 6cyl compt 35000 miles BO dunton leaf grass catcher model bgs ser no 82 new \$100. Bill Freed. Phila PA. 215-843-1274.

JD 45eb square back combine cab 10ft hume reel straw choper must sell. Juniata Co. 717-444-3748.

Thoroughbred horses home raised sane sound kind exc foundation dispersal sale \$3000-10000 located near Boston videos avail evenings. Milton MA. 617-333-0278.

Parts for 10in south bend lathe also books for 1987 chevy s10 factory repair manuals 13in verniers. York Co. 717-784-2038.

Lancaster Farming, Saturday, July 1, 1995-B27

1911 peerless steam tractor runs good has excellent gearing \$15000 call Bill 4-8 p.m. Somerset Co. 814-662-2128.

1991 new holland skid loader 1553 w/ 30 tree spade bucket tracks backhoe mounting plate low hours very good condition. Northampton Co. 610-863-8898.

John deere 4 row 3pt hitch cultivator model rg4 \$350 OBO. Chester Co. 610-469-6715.

Jersey family cow very tame good milker. Lanc. Co. 717-445-6274.

Farmco feeder wagons 7x20ft 4 wheels \$1300 kidd big bale chopper 7-18 jd 16a flail chopper exc cond \$1500. York Co. 717-225-4511.

Free 10x40 tile stove silo. Lanc. Co. 717-336-4626.

Service age broker sons dams ex96 triple threat ex94 starbuck. John Esh 362 Osceola Mill Rd Gordonville PA 17529. Lanc. Co.

Two wheel trailer 16-650 tires heavy hitch strong frame body needs paint \$75. York Co. 717-292-7651.

Fox terrier pups 2 females ready 7-9 shots wormed akc cocker spaniel stud 1 1/2 yr old proven \$50 OBO. Lanc. Co. 717-445-5789.

Standard driving horse 4yr traffic safe sound most anyone can drive \$1500. Lanc. Co. 717-354-5360.

1982 gmc one ton dually dump 4 new tires needs motor \$800 OBO. Lehigh Co. 610-398-2764.

Delaval 76 3hp on tank \$500 2 50 milker units small glass claw \$250 each. Lanc. Co. 610-442-1282.

John deere 2520 gas engine 2200hrs f30 farmall running good rubber metal two 600 gal aluminum tanks on trailers. Adams Co. 717-624-7442.

Wheat straw out of field I will bale \$1.65 per bale no Sunday calls. Lanc. Co. 717-464-5631.

1988 ford ranger 4x4 79k miles 4 cyl 5spd ps pb insp to 6/96 mechanically excellent \$4250 OBO. York Co. 717-993-3775.

New idea hay loader with green crop attachment new holland 273 baler with factory wis engine like new. Lanc. Co. 717-656-9733.

1949 jd model d restored high compression gas engine \$4250. Centre Co. 814-364-1119.

Celery plants. Ben F. Stoltzfus 44 Golf Rd Myerstown PA 17067. 1/2 mile N of Myerstown first farm right off 501. Lebanon Co.

GEHL

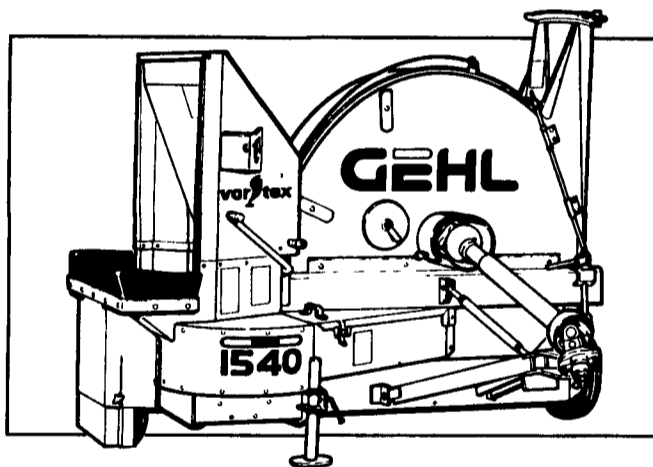
GEHL SKID LOADERS WIN HANDS DOWN



Precise bucket and drive control is easy with Gehl's exclusive Load-Trak T-bar hand controls. Optional hand/foot controls also available.

- Tilt-back cab - Provides easy engine access for servicing.
- Quick-Lock attachment system - For fast attachment changes.
- Eight models - With SAE operating capacities from 750 to 2,050 lbs. to meet your needs.
- A choice of gas or diesel engines - Rated from 20 to 60 horsepower.
- Large selection of attachments - Means versatility.

"Vortex™" Blowers



If you need a high-capacity forage blower to fill your tallest silos, Gehl Vortex blowers will help get your silo-filling done in short order.

- Three models - Your choice of 540 or 1,000 rpm operation.
- Twin spinners - Rifle material into the blower fan at nearly 35 mph.
- Twin-sided fan disc - Paddles on both sides shoot the crop up the pipe in a nearly continuous flow.
- Split rim sheets - Feature a replaceable inner liner for longer life and lower maintenance costs.
- Many convenience features - Swing-away blower outlet, air vents, adjustable left tire, right tire guard, wide hopper, removable tunnel covers and dual water inlets.

SEE YOUR LOCAL DEALER FOR CASH DISCOUNTS OR FINANCE OPTIONS

GEHL FINANCE
A DIVISION OF
GEHL

Available From Your Local Participating Dealer

UMBERGER'S OF FONTANA
RR 04 (Fontana)
Lebanon, PA

MILLER EQUIPMENT CO.
RR 01 Stauffer Rd.
Bechtelsville, PA

HINES EQUIPMENT
PO Box 8, Rt. 22
Cresson, PA
RR 03, Box 550, Altoona
(Bellwood)

GUTSHALL'S, INC.
RD 2 Rte 850W
Loyville, PA
and
1201 Spring Rd.
Carlisle, PA

ICKES FARM SUPPLY
Rt. 1 Hwy 869 West
Osterburg, PA
MILLER-LAKE
RR 02, Box 273A
Belleville, PA

A.L. HERR & BRO.
312 Park Ave.
Quarryville, PA

BINKLEY & HURST BROS.
133 Rothsville Station Rd.
Litz, PA

D.W. OGG EQUIPMENT CO.
Main Location
5149 Cap Stine Rd.
Frederick, MD
961 Leisters Church Rd.
Westminster, MD

LEBANON VALLEY IMPLEMENT CO., INC.
700 E. Linden St.
Richland, PA

STOUFFER BROS. INC.
1066 Lincoln Way West
Chambersburg, PA
WERTZ FARM EQUIP.
4132 Main St.
Linebore, MD

ECKROTH BROS. FARM EQUIPMENT
RR 02, Box 24A
New Ringgold, PA

LEHIGH AG EQ. INC.
6670 Rupperville Rd.
Allentown, PA 18106

WANTED

For Stealing Profits



Shifty Starling
Avitrol treated grain baits successfully remove pest birds from feedlots and farm buildings
HESS AGRI MARKETING
218 Rockpoint Rd.
Marietta, PA 17547
(717)426-3135
EPA Approved



SAVE \$

Free Catalog
Quality Products
UPS

Forage Knives



Barn Fans

Also: Tunnel Vent. Fans

Combine Parts

corn heads, knives, straw chopper, knives, cylinder & rasp bars, Deere cornhead rollers

Trailer Hitches



Cushion Hitches

740
Weaver Distributing

1-800-Weaver-D
1-800-932-8373
Fax to WDW
1-800-329-8693