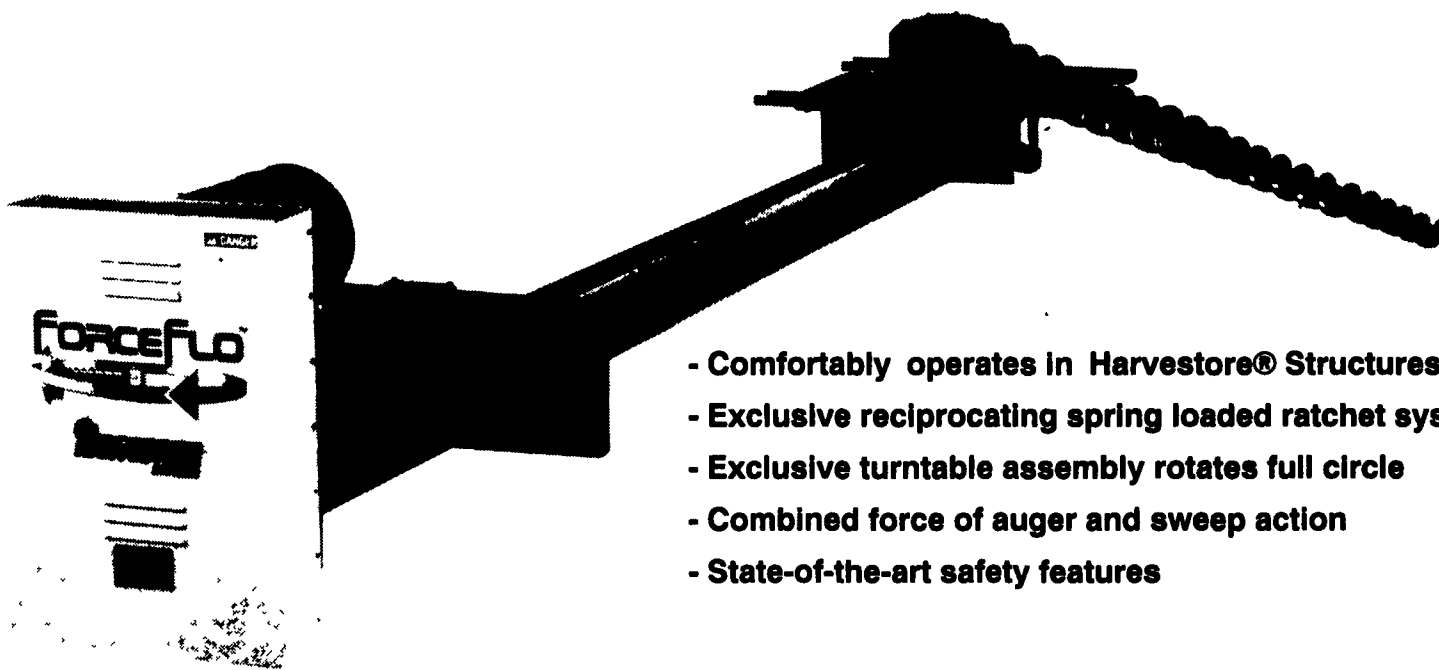
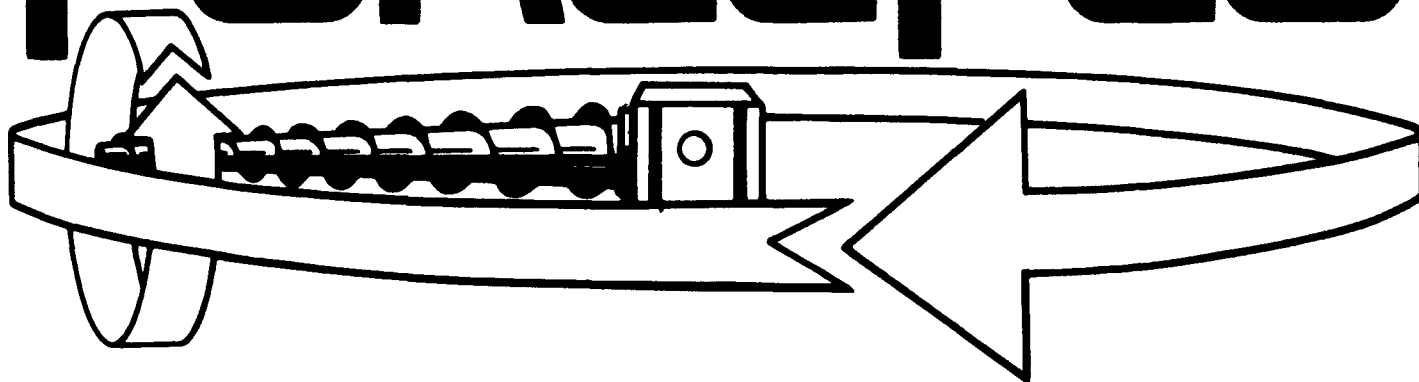


**TRADE-IN SPECIAL  
Now In Effect**

**THE NEWEST TECHNOLOGY  
IN BOTTOM UNLOADING  
FOR HIGH MOISTURE GRAIN**

**FORCEFLO™**



- Comfortably operates in Harvestore® Structures up to 90' high
- Exclusive reciprocating spring loaded ratchet system
- Exclusive turntable assembly rotates full circle
- Combined force of auger and sweep action
- State-of-the-art safety features

*To learn more, contact Larry Lausch,  
our unloader specialist, or your  
local representative.*



**PENN JERSEY PRODUCTS, INC.**  
YOUR LOCAL INDEPENDENT AUTHORIZED HARVESTORE® SYSTEMS DEALER  
P.O. BOX 7 • NEW HOLLAND, PA • 717-354-4051

**NOW SERVING ALL OF MARYLAND AND DELAWARE**

Mill Creek, PA  
717-483-6940  
John Yoder, Mgr.

New Enterprise, PA  
814-768-2384  
Ken Bupp, Mgr.

Berlin, PA  
814-267-3308  
Joe Simpson, Mgr.

Newville, PA  
717-776-3397  
Maynard McCullough, Mgr.

Columbus, NJ  
609-298-7138  
Charles Van Mater, Mgr.

In Maryland  
800-354-4052

The results you may achieve with your Harvestore® System depends primarily upon your management skills and may vary from successful results achieved by others. Any application in a particular farming operation requires the advice of qualified experts and is subject to limitations of good management, weather or other conditions present at the individual location. Harvestore is a registered trademark of A.O. Smith Harvestore Products, Inc.