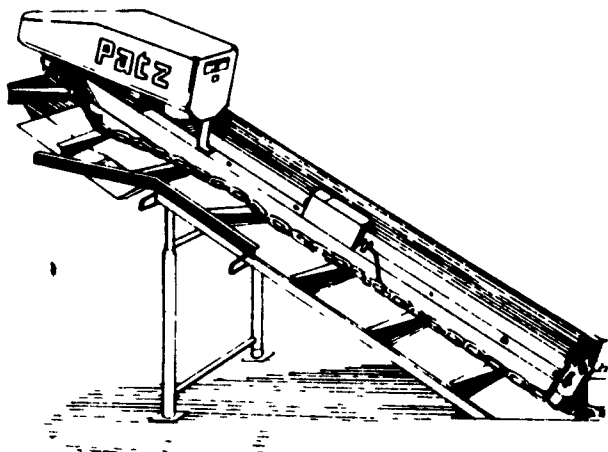




**A SPECIAL THANKS TO
OUR DAIRY FARMERS
FROM PATZ AND ITS DEALERS!**



Get Proven-Dependable Gutter Cleaning

- Durable Patz hook-and-eye link chain Progression forging builds extra strength into hook-and-eye link contact points. Final heat treating increases hardness, strength and wear resistance.
- Four-tooth sprocket drives every link behind the hook--the link's thickest and strongest point.
- Chain flexibility for various layouts.
- Select 2" flites for solid manure or 4" high flites for slurry manure. 1/4-inch-thick flites are welded to Patz links. 1/2-inch-thick wear shoes extend flite life.
- Three drive unit sizes match your gutter length and allow expansion.
- Corner wheel top-and-bottom flanges guide the chain around the corner. Corner wheel assemblies remove easily for service without concrete breakout.
- Heavier XH link available for extremely long pulls.
- 10 year extended warranty on chains--in writing
- Affordable financing from Patz.

Patz

Mixing T.M.R. the Way You Want

Open-Top Mixers

- Four notched augers mix fast--even square-baled dry alfalfa in limited amounts.
- Self-aligning auger bearings mounted outside. Flanged auger tubes for easy removal.
- Planetary gear reducer and roller chain reduction power the augers. Roller chains operate in sealed oil bath.
- On trailer and truck models, the discharge door and discharge augers are controlled hydraulically.
- 8 sizes from 190 to 575 cubic feet.

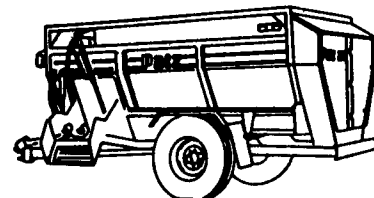
Tumble Mixers

- Tumble mixing plus a central spiral circulator moving ingredients to the back of the drum while fliting moves ingredients forward.
- No internal bearings.
- Low maintenance -- only 3 grease fittings.
- 4 sizes from 135 to 290 cubic feet.

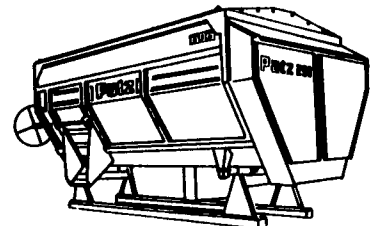
Affordable financing from Patz Financial Services
"36 Years of financing farmers needs."

All Mixers Manufactured By Patz

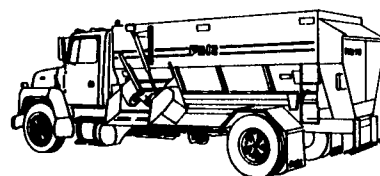
Patz



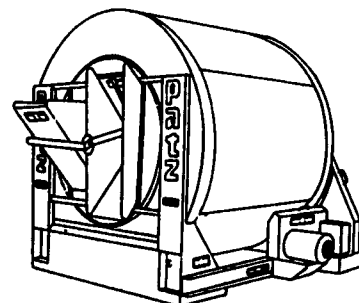
Trailer-mounted auger mixers



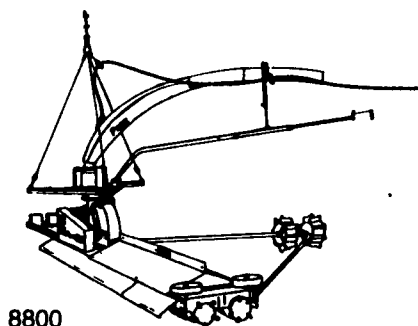
Stationary auger mixers



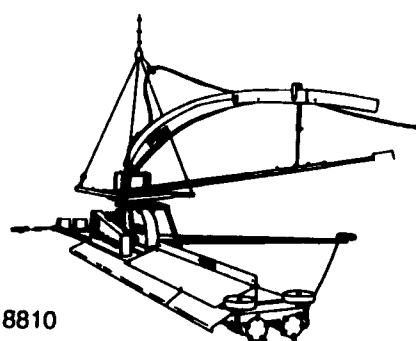
Truck-mounted auger mixers



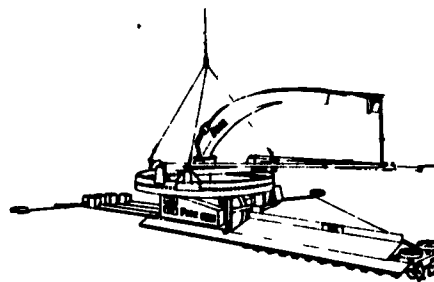
Tumble mixers



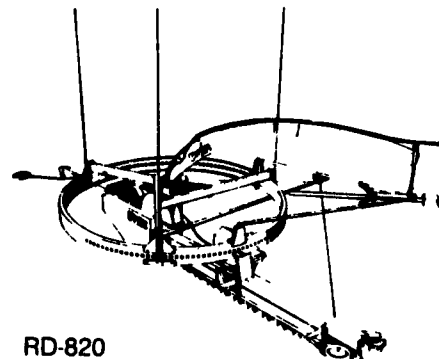
8800



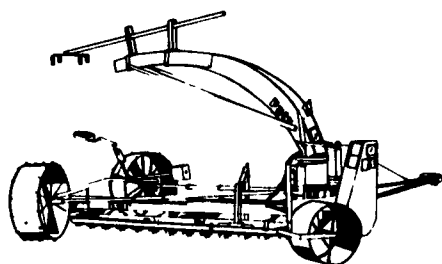
8810



8820



RD-820



98C

Patz

The full unloader line....

Patz gives you dual-auger unloaders and gathering-chain unloaders plus choice of surface-drive or ring drive/center drive.



SEE YOUR NEAREST PATZ DEALER

ALEXANDRIA
MAX ISENBURG
814-669-4027

BALLY
LONGACRE
ELECTRIC
215-845-2261

BEDFORD
BENCE'S FARM EQUIP.
814-623-8601

BELLEVILLE
LUCAS BARN EQ.
814-383-2806

BELLEVILLE
MILLER-LAKE Inc.
717-935-2335

LEBANON
CEDAR CREST
EQUIPMENT
717-270-6600

MECHANICSBURG
JOHN JONES
717-766-8582

MIFFLINTOWN
ZUG FARM &
DAIRY EQUIPMENT
717-463-2606

ORANGEVILLE
FRANKLIN D. HESS
FARM EQUIPMENT
717-925-6939

QUARRYVILLE
UNICORN FARM
SERVICE
James E. Landis
717-786-4158

SHIPPENSBURG
WITMER EQUIPMENT
SERVICE
717-532-6139

SOMERSET
GROVE EQUIP. SALES
Mark Knepper
Cliff Lynn
814-445-6306

HAGERSTOWN, MD
TRI-STATE
FARM AUTOMATION
301-416-7340

KENNEDYVILLE, MD
PINDER SERVICE CO.
410-778-0799

WHITEFORD, MD
ENFIELD EQUIP.
410-838-0480

POUND, WI
PATZ SALES, INC.
414-897-2251



DISTRICT MANAGERS:
Agri Bee Inc.
James Bilski, Pres.
814-696-9447
Fax 814-696-2606

James Smith
717-485-9585