

# 197 FFA'ers To Receive Keystone Degree At Farm Show

(Continued from Page E26)

has earned his greenhand and keystone degrees, and won a chapter agribusiness award. He said he intends to pursue a college degree.

### Heather Lehman

Heather Lehman, 18, of Mechanicsburg, has served as president of the Cumberland Valley FFA chapter, and CDP Area FFA president, in addition to earning the star greenhand degree and receiving gold awards for her record books. The daughter of Carl and Mabel Lehman, Heather has been involved in dairy cow, swine, sheep and goat finishing projects, and served on the chapter's banquet, calendar sale, dairy and livestock, parliamentary procedure and public speaking, scrapbook, National FFA Week, and membership

committees. She has also attended the Governor's School for Agricultural Sciences. Heather said she would like to be a state FFA officer and pursue a college degree in animal or dairy science.

### Stephanie Lemmon

Stephanie Lemmon, 18, of Holbrook, is the daughter of William and Donna Lemmon, and a fifth-year member of the West Greene FFA chapter and its current president. Having also served as chapter vice president and secretary in previous years. Her FFA projects have been in beef finishing,



and she has served on the chapter's banquet, food stand, scholarship, planning, and citrus sales committees, and participated in the Greene County fair, livestock judging, regional creed contests, fall Harvest Day activities and citrus sales. She has earned her greenhand degree and chapter farmer degree and awards for record books and was sixth individual in 1993 livestock judging at the Big E, and won a bronze medal this year as a member of the national livestock judging team. She would like to become an obstetrical nurse.

### David Lepley

David Lepley, 17, son of Paul and Becky Lepley, of Meyersdale, has served as treasurer and assistant treasurer of the Meyersdale Area FFA chapter, where he has earned his greenhand and chapter degrees.

Involved in off-farm work experience, over the past four years, he has served as chairman of the chapter's sports activities, spring trip and budget committees, and as a member of its greenhand, sweetheart, parent and member banquet, public speaking, greenhouse, and scholarship committees. He said he plans to become a lumber grader.

### Tom Livingston

Tom Livingston, 18, son of Irene Livingston, of Marion Center, has been a member of the Marion Center FFA chapter for the past four years. He served on the chapter's fundraising committee and was involved with its Food For America, FFA Week, and work experience programs. He won a first place locally in land judging,

(Turn to Page E28)

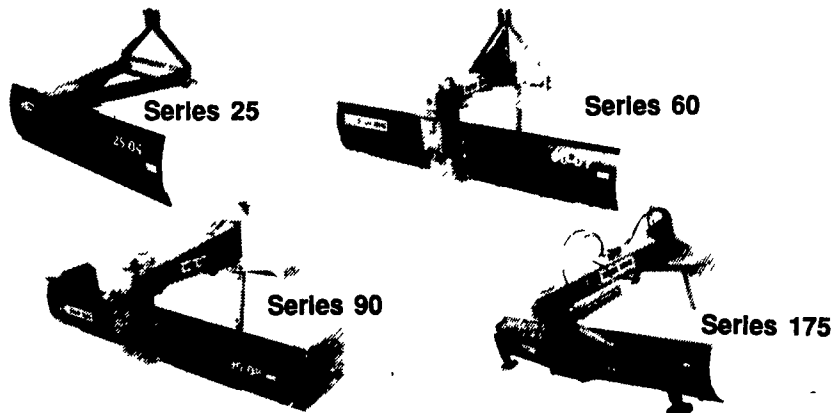
## New Line Of

### BUSH HOG® Loaders

Model 1845 - 12 PTO HP  
To  
Model 3425 -  
75 to 130 PTO HP



## Rear Mounted Blades BUSH HOG®



For a wide range of material handling...Everything from light landscaping to heavy duty dam building jobs. And of course SNOW REMOVAL.

## 3200 Series Rotary Cutters

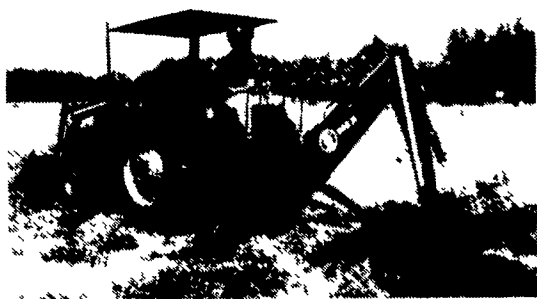


More Rugged, More Durable  
And More Versatile

9, 10½ or 14 Foot Cutting Widths

**BUSH HOG®** Rated for Minimum  
40 to 80 HP Tractors

## Backhoes

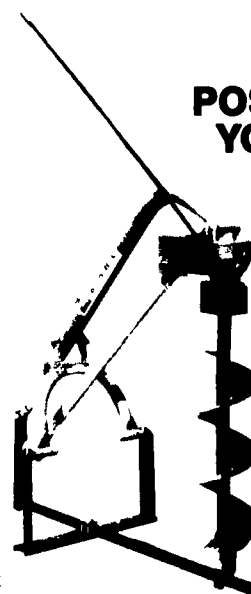


Stronger, Easier to Operate,  
Easier to Maintain

8 to 10½ Foot Digging Depths  
Rated for 20-100 HP Tractor

**BUSH HOG®**

## WITH BUSH HOG® POST HOG DIGGERS YOU GET A CHOICE.



Whether you have trees to plant post holes to dig or large construction chores there's a Bush Hog Post Hole Digger that will do the job.

Choose the utility model 2101 and you can select 6 or 9 inch auger diameters. And with 9 inch augers double flighting is available. Choose the agricultural model 2102 and you have a choice of auger diameters from 6 to 24 inches. Or with the rugged industrial model 2103 you not only have a selection of 6 to 24 inch augers but also an optional down pressure cylinder that delivers 500 lbs. of extra digging force.

**BUSH HOG®**  
CORPORATION  
Building the Legend.

See Bush Hog Products at Anderson Tractor Sales Exhibit

## SEE YOUR LOCAL BUSH HOG DEALER.

**ANDERSON TRACTOR SALES, INC.**  
Jacobus, PA 717-428-3280

**CHAMBERSBURG FARM SERVICE**  
Chambersburg, Pa 717-264-3533

**NORMAN D. CLARK & SONS, INC.**  
Loysville, PA 717-789-3117

**FARMER'S EQUIPMENT & SUPPLY CO., INC.**  
Airville, PA 717-862-3967

**LESLIE G. FOGG, INC.**  
Bridgeton, NJ 609-935-5145

**HINES EQUIPMENT**  
Cresson, PA 814-886-4183  
Bellwood, PA 814-742-8171

**GEORGE N. GROSS, INC.**  
Dover, PA 717-292-1673

**GROWER'S EQUIPMENT CENTER, INC.**  
Biglerville, PA 717-677-7133

**A. L. HERR & BROS.**  
Quarryville, PA 717-786-3521

**ABC GROFF**  
New Holland, PA 717-354-4191

**KELLER'S FARM MACHINE, INC.**  
Quakertown, PA 215-536-4046

**MARSHALL EQUIPMENT CO.**  
Beyer, PA 412-783-6333

**MARSHALL MACHINERY, INC.**  
Honesdale, PA 717-729-7117

**NICARRY EQUIPMENT INC.**  
Reading, PA 610-926-2441

**NICHOLS FARM EQUIPMENT**  
Bloomsburg, PA 717-784-7731

**NORTH-EAST DISTRIBUTORS & EQUIP.**  
West Clifford, PA 717-222-9020

**ROVENDALE AG & BARN EQ**  
Watsonstown, PA 717-538-9564

**SMITH'S FARM EQUIPMENT**  
Newport, PA 717-567-3562

**CHARLES S. SNYDER, INC.**  
Tamaqua, PA 717-386-5945

**STANLEY'S FARM SERVICE**  
Klingerstown, PA 717-648-2088

**STOLTZFUS FARM SERVICE**  
Cochranville, PA 610-593-2407

**TRACTOR PARTS COMPANY**  
Bloomsburg, PA 717-784-0250

**UMBERGER'S OF FONTANA**  
Lebanon, PA 717-867-5161

**C. J. WONSIDLER BROS.**  
Quakertown, PA 610-536-1935  
New Tripoli, PA 610-767-7611  
Oley, PA 610-987-6257

**PEACH COUNTRY FORD TRACTOR**  
Richwood, NJ 609-589-3953

**RODIO TRACTOR SALES**  
Hammonton, NJ 609-561-0141

**FRANK RYMON & SONS**  
Washington, NJ 201-689-1464