

15 FEED & SEED

Mixed Hay, approx. 800lb. round Bales. \$15 per bale, 135 bales available. 717-582-7790.

Wanted Mulch Hay
215-869-2078
John H. Lloyd

Kiln Dried Canadian Pine Wood Shavings FORSINN
\$2.50/bale, Truckload lots.
613/925-5652

Feedmobile Inc.

See On Display At
PENNSYLVANIA FARM SHOW
Main Floor

AUTO-BAGGER



The Fast, Efficient Answer To All Your Bagging Needs!
DESIGNED FOR USE WITH MOLASSES FEED

- Portable • Compact • Efficient
- Adjustable • Fast • Accurate
- Affordable

25-2000 LB. BAGS

WHY INVEST IN AN AUTO-BAGGER?

RAPID RETURN OF YOUR INVESTMENT

HERE IS HOW!

- Could save you \$17,680 in one year
- Labor savings - you should eliminate at least one man now used in bagging (\$6.00/hour x 40 hrs. = \$240 for one man)
- Accuracy - most men will add about 1 lb. of feed per bag to avoid being short on the scale (based on 1,000 bags/week at 10¢ a lb. = \$100.00 per week savings)

MANY USES

- Portable - bag almost anything anywhere one machine to serve several bagging needs

PRESERVE FEED QUALITY

- Direct bagging from mixer of molasses feed, saves feed texture

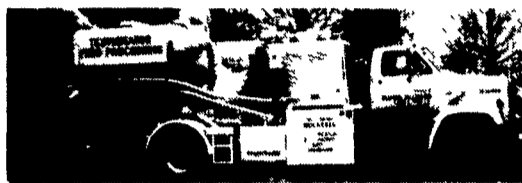
EASY CLEAN OUT

- Avoid contamination of feed

OPTIONAL RAILCAR UNLOADER

OPTIONAL MOLASSES BLENDER AVAILABLE

MOBILE TEXTUREATOR® MILL



FEATURES:

- Now Available With 2 Sets of Rolls
- Textured Ear Corn Milling (cob hammered, kernels rolled)
- Roller Mills • Hammer Mills
- Electronic Scales
- "Texture Saver" 2 ton mixer
- Vegetable Oil • Molasses

ECONO TEXTUREATOR®



Coarse Textured Feed From Low Cost Ear Corn Can Now Be A Reality For The Small To Medium Size Feed Manufacturer

INCLUDES:

- Textureator® Roller Mill
- Hammermill Base and Auger

FULL RANGE OF MILLING OPTIONS:

- Now Available With 2 Sets Of Rolls
- Roller Mill for Small Grain and Shelled Corn
- Hammermill for Pulverizing
- Textureator® for Coarse Ground Ear Corn (Kernels rolled; Cobs and Husk hammered)
- Variable Speed, Hydraulic Driven, Feed Augers

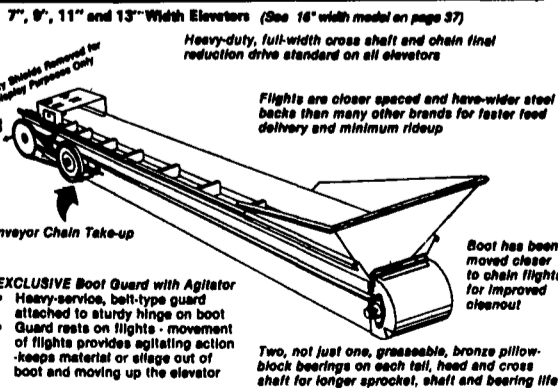
MILL WRIGHT SERVICE

MATERIAL HANDLING EQUIPMENT

WELDING BAGS - SEALERS

PORTABLE SILAGE AND MATERIAL ELEVATORS (SINGLE CHAIN)

- Better Engineering
- Stronger Construction
- Smoother, More Dependable Operation
- Wider Choice of Accessories
- Lower Cost



TOLL FREE:

Feedmobile Inc.

PA: 1-800-528-6693

SALES • PARTS • SERVICE

717-626-2680
F.M.I.

727 Furnace Hills Pike, Lititz, PA 17543

- Patented Feedmobiles
- Roll Feedmobiles
- Stationary Milling Equipment
- Air Systems

For Over 30 Years

whole cottonseed 40 soybean meal light corn 40 50 60 70 80 90 100 110 120 130 140 150 160 170 180 190 200 210 220 230 240 250 260 270 280 290 300 310 320 330 340 350 360 370 380 390 400 410 420 430 440 450 460 470 480 490 500 510 520 530 540 550 560 570 580 590 600 610 620 630 640 650 660 670 680 690 700 710 720 730 740 750 760 770 780 790 800 810 820 830 840 850 860 870 880 890 900 910 920 930 940 950 960 970 980 990 1000

TRIPLE - M - FARMS

1525 King St. Lebanon, Pa. 17042
CUSTOMER FORMULA FEED MFG.

We do custom mixing according to your nutritionist formulations for your own farm. We have a large selection of commodities to balance out your forages also many vitamin and minerals to fine tune your rations
GIVE US A CALL FOR PRICES on bulk or bagged deliveries
PHONE 717-272-3225
OR FAX 717-272-9807

DRY BROILER MANURE

NET 92 LBS./TON
PHOS. 63 LBS./TON
POT 36 LBS./TON
PERRY COUNTY
717-582-8986

POULTRY MANURE

DRY INEXPENSIVE FERTILIZER
• Delivered •
• Farm Pickup •
717-566-9422
CALL Today for Analysis, Literature & Prices

MULCH HAY WANTED

Call
215-929-5753

For Current Prices
ONTELAUNEE FARMS INC.
Temple, PA

16 FERTILIZER

HEN HOUSE FERTILIZER, dry layer manure, spreader truck service available. 717/684-2490.

Wanted: Approx. 200 ton layer manure. Preferred spread on farm. Adams County. 717-642-9199.

TURKEY MANURE FOR SALE

FALL SPECIAL \$4.00 Per Ton Loaded On Truck
717-582-4431
Leave Message

16 FERTILIZER

"Competitive Prices"
• Ag Limestone
• Rock Phosphate
• Calcium Sulfates
HY CAL MAG
Sales & Spreading
Soil Testing Available
ZIMMERMAN LIME & FERTILIZER
(717) 733-7674
"Check Summer Discounts"

19 NURSERY

18 FRUITS & VEGETABLES

Organic Sauerkraut Made w/Organic Cabbage and Sea Salt. Must Take 5 Gal Bucket or More. (717)859-1662.

19 NURSERY

Bark mulch and mushroom soil, trailer loads and smaller loads also available. Garman's Coal and Mulch Products. (717)653-9580.

Turf Tires and Wheels for JD 1250 4WD tractor: (2) front wheels & tires, (2) rear wheels, (1) rear tire Make offer! Lancaster Co 717/872-0755.

TREE PLANTERS: 3 models, plant trees from 3" seedlings to 10" shade trees Rentals also available Also Available: Tree Boss-for B&B-a 1-MAN tree loading and unloading system. TREE PLANT DESIGN INC. RD 1, Box 104, New Ringgold, PA 17960 717-386-3515.

EVERGREEN SEEDLINGS & TRANSPLANTS. Spruce, Pine, Fir for Christmas trees & nursery stock. Write or call for price list. Croshaw Nursery, P.O. Box 339, Columbus, NJ. 08022. or call 609-298-0477

Evergreen Seedlings, Pines, Spruces and Firs. 2, 3, and 4 yr. olds. Write for free price list. Habe's Nursery, RD 4, Box 468, Leechburg, PA 15656. 412-842-4397

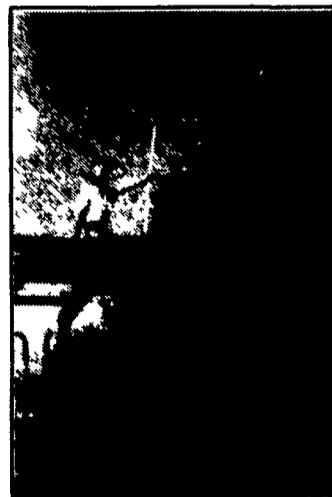
from AUSTREES®

Austrees can grow up to 8'-15' in just one year. They are the most effective & versatile agricultural & conservation tree.

Excellent for:

- Windbreaks
- Privacy screens
- Forage crop
- Shade
- Erosion control
- Pulp wood
- Salinity control
- Firewood
- Crop protection
- Wildlife habitat

and more!



AUSTREES at 18 mos.

Economical & Easily Maintained

For Information Write & Send Self-Addressed, Stamped, Business-Sized Envelope to:



AUSTREE EAST

649 S. Ramona Road
Myerstown, PA 17067

SUPERFAST TREES