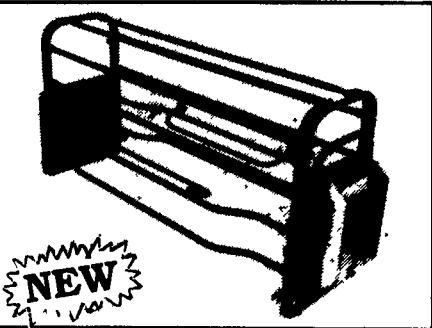
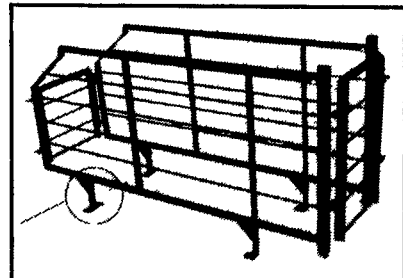


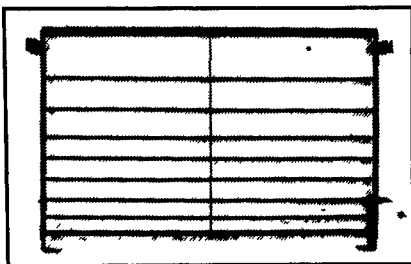
**EXCELLENT SAVINGS**  
**At FARMER BOY Ag**  
**On Quality Products**  
 New Building or Remodeling Your Facility  
 Call Today For Our New & Improved  
 Equipment To Return Greater Profits At  
 Market, Ask For A Free Estimate  
**Toll Free 1-800-845-3374**  
**FARROWING CRATES**



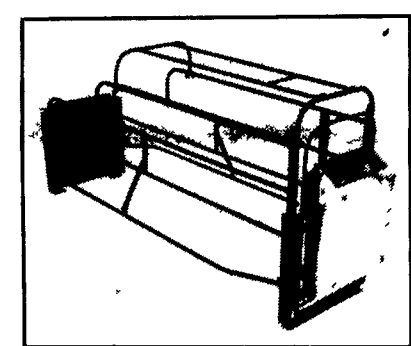
**MODEL 70**  
**ADJUSTABLE SWING SIDE**  
**WITH PIG SAVER BAR**



**BREEDING/GESTATION**  
**STALLS**



**HORIZONTAL FENCING**  
 Also Available: Vertical Fencing



**SOLID STEEL MODEL 60**

**BOSS HOG** HEAVIEST WIRE  
 FLOORING FLOORING MADE

Patented "Double Smooth" design — only from Boss Hog

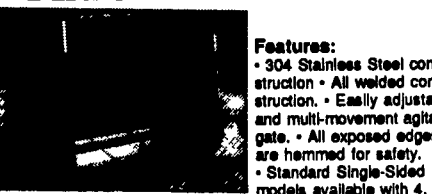


SMOOTHER BETTER FOOTING    SMOOTHER EASIER CLEANING,    LOOK FOR THE BUMP ON THE BOTTOM

Boss Hog's patented "Double Smooth" design plus the strength and durability of its exclusive 5/16" diameter wire make this your best flooring buy! Insist on Boss Hog, the wire with the bump on the bottom. From the nation's largest manufacturer of animal flooring.

"New" Size 3/8"x3" - 5/16" Wire In Stock  
 Woven Wire    3/8"x1 1/2" - 243" Wire

**WELDED**  
**FINISHING FEEDER**



Features:  
 • 304 Stainless Steel construction - All welded construction - Easily adjustable and multi-movement agitator gate. • All exposed edges are hemmed for safety.  
 • Standard Single-Sided models available with 4, 5 and 6 holes; Standard Double-Sided models available with 8, 10 and 12 feed holes. 7 hole and 14 hole sizes available (special order only).

We Ship UPS 24 Hour Service    Check Our Warehouse Prices

Swine & Poultry Systems Specialists  
**FARMER BOY AG.**  
 410 E. LINCOLN AVE, RT 422    MYERSTOWN, PA 17067  
**717-866-7565**    Hours: M-F 7:00-5:00; Sat. 7:30-11:30  
**FULL LINE OF PARTS IN STOCK**  
 For Your **Poultry & Hog Needs**

**13 HOG EQUIPMENT & SUPPLIES**

**BOSS HOG...**  
**The Best in Woven Wire Flooring**  
 PATENTED DOUBLE SMOOTH DESIGN

Superior, skid-free footing Fewer injuries Easier to clean Available in 5/16", 3-ga. and 5-ga. Only from Boss Hog.

**NEW SUPER HEAVY**  
 5/16" (.312) diameter  
 Heaviest wire flooring made. Stronger, to last years longer.

**HEAVY T-GA**  
 .243" diameter

**IN STOCK!**

**Northeast agri systems** Northeast Agri Systems, Inc. 305 University Ave. Federalsburg MD (Formerly Long Lumber) 1-800-735-6361  
 Flyway Business Park 139A West Airport Road Litz PA 17543 Ph. (717) 569-2702 1-800-673-2580

**\$ VALUE \$**

**SWINE-POULTRY-LIVESTOCK**

Let our experienced staff assist you with *your* needs

- New or Remodeled Buildings
- Equipment - Service - Repairs
- Building Materials and Supplies
- Bins • Augers • Feeders • Ventilation
- Cooling • Heating • Farrowing Crates
- Penning • Gestation Stalls
- Concrete Slats • Tri-Bar
- Woven Wire Flooring
- **AND MUCH, MUCH MORE!**

**TRI-COUNTY**  
 Confinement Systems Inc.  
 608 E. Evergreen Rd. Lebanon PA 17042  
 PHONE (717) 271-3188    FAX (717) 271-3188    UPS DAILY    Hours: Mon-Fri 8:00-4:00 Sat 8:00-12:00

For Sale: 10 used farrowing crates, good condition, \$600. Alvin Stoltzfus, 105 Fulton Rd., Airville, PA 17302.

**14 POULTRY & SUPPLIES**

Individual Chore-Time drop feeders, (1,000 pc), farrowing crates (112 pc). Nursery, grower, and finish stainless steel feeders. Fans, motors, controls and any equipment used in a farrow to finish operation. Washington County, MD (301)791-3998.

Chore-Time broiler feeders, 2 lines, 155 feet each, 800 feet of Swish broiler watering system, 6 ton metal feed bin. (717)597-7223.

Ducklings: French selected hybrid muscovy ducklings available year 'round. Call Doug Weinholt for pricing. Days (717)354-4424, evenings (717)354-9685.

**HIGH PRESSURE WASHING AND DISINFECTING**

- Breeder Houses
- Layer Houses
- Pullet Houses
- Turkey Houses
- Hog Finishing Barns
- Sow Units
- Dairy Barns
- Veal Pens
- Broiler Houses

We Spray For All Types Of Beetles and Insects That Cause Structural Damage to Your Poultry House

For More Information Call:  
**BEITZEL'S SPRAYING**  
 Witmer, PA 17585 717-392-7227 or  
**Toll Free 1-800-727-7228 7:00 AM to 5:00 PM**  
**CERTIFIED COMMERCIAL APPLICATORS**  
**LICENSED    Spraying Since 1961    INSURED**

2000 ft. of Chore-time model C feeders used on five flocks of boilers. 304-749-7032.

Baby chicks and ready to lay pullets, brown or white egg layers, heavy meat chicks. Contact Moyer's Chicks, Quakertown, PA, (215)536-3155.

Cash for Chucker, Quail, Squab, Silky, Rabbits, Muscovy Ducks, Mallard Ducks. BO BO POULTRY WHOLESALE MARKETS. 718-386-1117 6am-3pm.

Farmer Automatic, Cage systems for pullets and layers, 4-5-6 decks, 410-833-1840.

Large truck load of used egg cases and flats, used only once, like new, any reasonable offer will be accepted. 814-237-7763.

Used poultry equipment, 45,000 in working condition, available in May. Call if interested now 610-754-7063

African Black Ostrich, 17 month male, hand raised, docile. Parents early breeders Ready for '95 breeding season SW Chester County, (610)857-2497.

**Emu Eggs**  
**\$200 each**  
 Straight run farm raised  
**(717) 686-3480**

FOR PURE MUSCOVY DUCKLINGS THAT ARE NOT HYBRID AND HAVE THE FIRMEST MEAT, ASK FOR THE **HOFFMAN MUSCOVY DUCK**  
 CALL FOR OUR LOW PRICES.  
 ALSO,  
 FRENCH GUINEAS, EMBDEN GOSLINGS  
**FREE CATALOG ON GOSLINGS, DUCKLINGS, CHICKS, TURKEYS, GUINEAS, BANTAMS, PHEASANTS, QUAIL, CHUKARS, SWANS. MEDICATIONS, EQUIPMENT AND BOOKS.**  
**717-365-3407**  
**HOFFMAN HATCHERY**  
**BOX 129, GRATZ, PA 17030**

**KEYSTONE OSTRICH RANCH**  
 17 MONTH OLD AFRICIAN BLACK MALE OSTRICH  
**\$ 3500**  
**717-987-3912**

**Matthews Ratite Homes**  
 Growmaster Fiberglass Chick Barns Breeder Huts & Greenhouses  
**(410) 287-8159**

**EMU EGGS**  
**\$300 Each, \$500 Each Guaranteed Fertile**  
 From 8 Pairs of Birds  
 Emu Chicks 94 Hatch DNA Sexed \$1000  
 Dave Kulp (717) 664-3175

**Northeast Agri Systems**  
 Your Authorized **CHORE-TIME** MASTER DISTRIBUTOR serves the needs of the Poultry, Dairy & Swine Industries

- Bulk feed bins in a wide variety of capacities, for any application
- Genuine Chore-Time FLEX-AUGER® feed delivery flexible auger systems
- Broiler & broiler breeding feeding systems, including the new Chore Time Model 2000 and the Model C feeders
- Fans & Complete ventilation systems including the new fan oscillator
- Innovative CHORE-TIME/SWISH watering for any kind of poultry application
- Chore-Time's exclusive MEAL-TIME® pig and hog feeding and watering systems
- Chore-Time's production-boosting cow feeding system for dairy operations

**Shenandoah SPACE HEATERS**  
**INCINERATORS    BROODERS**

**TOLL FREE CUSTOMER SERVICE NUMBER: 1-800-673-2580**  
 Authorized Master Distributor Since 1962

**Northeast agri systems** Northeast Agri Systems, Inc. Delmarva Store 305 University Ave. Federalsburg MD (Formerly Long Lumber) 1-800-735-6361  
 Flyway Business Park 139A West Airport Road Litz PA 17543 Ph. (717) 569 2702 1-800-673-2580

**15 FEED & SEED**

10,000 bushel soybeans, 50,000 bushel corn (610)779-3284.

1st cutting orchard grass, high moisture wrapped bales, good heifer hay, \$32/bale 717/258-6682.

2nd & 4th cutting good quality alfalfa baleage. Delivery available 717/258-6682 No Sunday Calls.

3rd Cutting Alfalfa Round Bales, \$75 Ton Wheat Straw Round Bales, \$80 Ton. 4th and 5th Cutting Alfalfa 4X4 Silage Bales \$40 Each (717)263-8091

6,000 small bales wheat straw (610)779-3284.

ALFALFA 4x4 wrapped, chemical free, round bales Can deliver. 717-865-6220.

ALFALFA HAY, MIXED HAY, STRAW. 717-258-5224 YOU CALL WE HAUL

Alfalfa Haylage for sale, hauling available 610/926-5869

Alfalfa/Mixed Hay for Sale Centre County (814)355-8935 (814)355-7993

AMUNDSON HAY COMPANY: Dairy quality, Alfalfa, small squares David Amundson, Route 2, Box 103, Westbrook MN 56183 1-800/398-5931

Aromatic red cedar shavings for litter boxes, dog kennels, etc Keep your pets smelling great! Keep flies away Available bag or bulk. 717/733-6698.

Bright Wheat Straw First and Second Crop Alfalfa \$100 Per Ton (717)532-4423

BUYING HAY: Timothy Orchard Grass, Buying for Large Mushroom Farm in Chester County, Top Dollar Using 18,000 Tons Yearly. Paid By The Load Call Harry (610)932-9457

**14a RATITES**

95 EMU CHICKS, \$500 1st Egg November 16. (717)762-1805

95 Emu Chicks, December Hatch \$450 Each, 94 Chicks \$800 Each, Proven Breeding Pairs \$20,000 Sussex, NJ (201)764-7804.

Emu Eggs \$200 each, out of coming 3 year olds. 717/661-5992

OSTRICHES! 3 to 5 months old Strong large birds Unrelated pairs Bird-in-Hand (717)768-3628.

RHEA'S, all ages available, whites, grays, splits Healthy large birds. Lancaster, PA. 717-464-0812

**EMU INFO.**  
 Mid Atlantic Emu Farm  
**PA (215) 255-5191**  
**MD (410) 398-2432.**