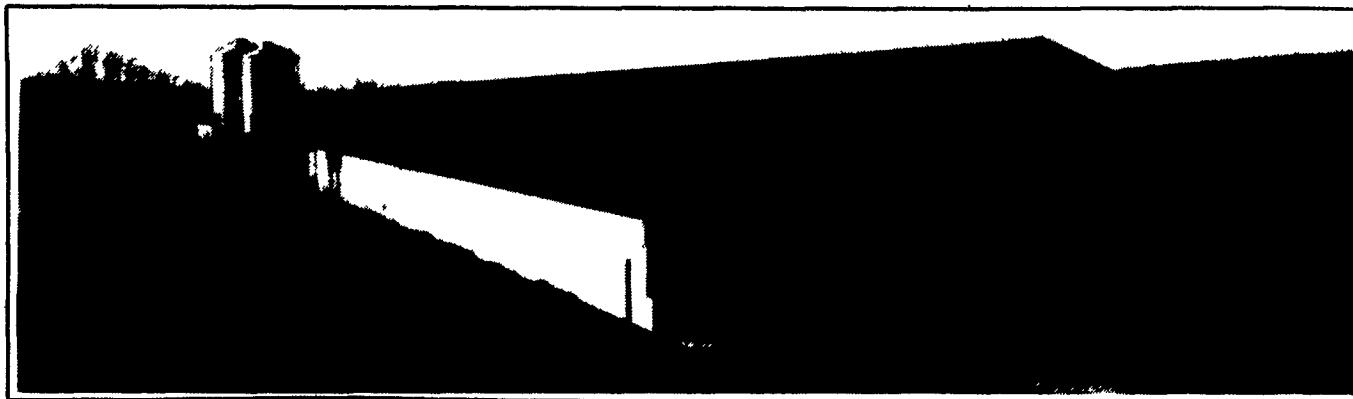




Thanks and Congratulations To
MICHAEL & STEPHANIE
ZIMMERMAN
 of Sunbury, PA



On Their 50'x625', 6,400 Tom Turkey Building

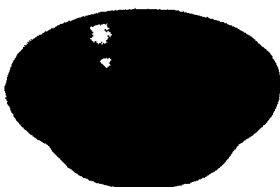


TURKEY PAN FEEDING SYSTEMS



SIMPLY THE LEADER

Cumberland continues being the leader in the manufacturing of poultry equipment by introducing a turkey feeding system for every application. Cumberland's Turkey Feeders have revolutionary features which make them both profitable and easy to maintain for the end customer. Cumberland Feeders deliver feed economically, efficiently, and dependably with savings for the grower. The Cumberland Turkey Pan Feeding System offers a poult turkey pan for young turkeys and two models of adult turkey pans, designed to withstand the rugged treatment of adult turkeys through grow-out.



NEW PLASTIC PAN

Easier to clean... non-corrosive... lighter... Cumberland's plastic pan for both STF and RTF Adult Pan Feeders features improved structural engineering with stronger support gussets, a more durable and effective "hanger" for cleaning and a unique set of two feed-saving "catch walls" that significantly reduce raking and billout.

The **HI-LO** Pan Feeder
 A Two Stage Pan

The first 7-10 days of a broiler's life are critical. The eating habits they develop then establish their growth pattern for life.

For these very young birds the Cumberland HI-LO Pan Feeder, resting on the house floor, presents a lip height of 2.1" (the average height of traditional "chick lids"). Because they can easily and safely get in and out of the pan, they're eating out of the pan from day one.

And because the pan needn't be "flooded," they're getting only fresh feed... and only as much as they need.



Then as the birds grow, and the feed line is raised, the Cumberland HI-LO Pan Feeder *E-X-P-A-N-D-S* into a 3.5" deep adult bird pan!

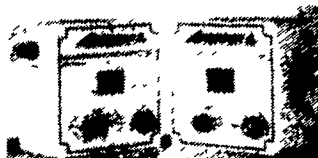
The higher wall and feed saver lip prevent waste from raking and billout... and cause the birds to eat nearer the outside edge of the pan, assuring a more even "first in, first out" utilization of feed (which also saves feed and maintains freshness).



FEED BINS



Screw Drive Curtain Controller



NVI Controller

Precisely adjustable in all ways. Lets you adjust both the run time and the pause time. It even lets you choose a different rate for opening and closing. Adjustable dead band and heater interlock make it the most accurate digital control on the market for ventilation... and it's available for all Curtain Controllers.



PURA-FIRE HEATER

Choose From 2 Models

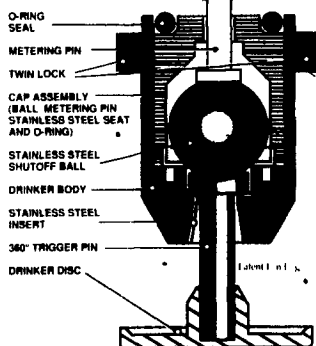
- C80M - variable output (40,000 or 80,000 BTUH)
- C225 - 225,000 BTUH unit. Each is LP or natural gas compatible and can be mounted inside or outside your confinement house. Unique "bent flame" design increases flame's surface area and heat chamber efficiency. More warm air is drawn across the fan and blown out side vent.



FANS

Twistlink belt on Belt Drive for Ease of Adjustment to Keep at Top Performance.

Big "Z" Drinker with Disc



- Larger in size than any other nipple-type drinker on the market
- All stainless steel parts are of the same type series
- Larger diameter stainless steel ball
- Larger diameter stainless steel trigger pin
- Special design stainless steel seat
- Large diameter disc with rim
- Unique in design... the seat isn't part of the drinker body
- The seat, ball, metering pin and o-ring are encapsulated in the cap as a unit
- Positive twin lock hookup between saddle and drinker guard against failure



BROILER DRINKERS



TURKEY DRINKERS



BROODERS

Full Line Of Parts In Stock For Your Poultry And Hog Needs

Hours: M-F 7:00-5:00; Sat. 7:30-11:30

Swine & Poultry Systems Specialists

FARMER BOY AG.

410 E. LINCOLN AVE. (RT 422) MYERSTOWN, PA 17067

PH. 717-866-7565
 1-800-845-3374

12-10

Check Our Warehouse Prices



WE SHIP UPS

For New & Latest Ideas In Turkey Building & Equipment

Call Shane Weller For More Information

- ★ Excellent Contracts Available
- ★ Remodeling Existing Facilities



24 Hour Service