

WISCONSIN HEAVY DUTY ENGINES

Serving The Community Since 1971

Wis.-Robin, Kawasaki, Kohler, Briggs & Stratton, Tecumseh, Honda

Rockford and Twin Disc Clutch Parts & Accessories

WISCONSIN REPLACEMENT ENGINES New & Rebuilt Short Blocks

Special Purchase V465D 65 HP Wisconsin, Electric Start w/Alternator, Ideal for Grinders, Large power Units, .
Reg. List \$4,836
ONLY \$2,885 (While They Last)
• W2-1250, 30HP, electric start.....\$1595
• Special Prices on 30HP VH4 crank start engines No Tank.....\$1,945

Authorized Service Center

• Complete Rebuilding
• Large Parts Inventory

**F I S H E R
E N G I N E
S E R V I C E**

3141 Old Philadelphia Pk. • Bird-In-Hand, PA 17505
For Service Calls, Call Nelson Martin
717-768-3729



Hydro Farmall 1026 Int. Tractor
120 Hp, Diesel, New Tires & Paint,
New Battery
Price Reduced
302/653-5539

FORRESTER FARM EQUIPMENT LTD.

1475 Orchard Rd. Chambersburg, PA 17201

Phone: 717-263-0705

Sales - Parts - Service



BEST BUYS IN USED FARM EQUIPMENT

- | | |
|-------------------------------------|--|
| NH 785 Skid Loader w/Ford Engine | Ford 8N |
| (3) NH 445 Skid Loaders | JD 4010 |
| Ford 7700 2 WD w/Cab & Air | IH Super C w/Plow, Disc & Cultivator |
| Ford 1320, 4WD Hydro, 250 Hrs. | IH Farmall C |
| JD 2640, 2WD, w/hi & Low | S45 Dion Silage Blower |
| Ford 4000 Row Crop | New 6 Row White Cultivator |
| Gehl V-Rake, 8 Whl. | 10' Ford Field Cultivator |
| (2) NH 411 Discblines, 10 Ft. | Grove 14' Forage Wagon |
| NH 1469 Haybine | NH 479 9' Haybine |
| Kewanee 16 ft. Disc | NH 479 Haybine |
| White 5 Btm. 18" Plow, Semi-Mounted | (2) NH 489 Haybine |
| NH 499 12 ft. Haybine | IH 990 9' Haybine |
| Fordson Major Tractor | IH 1190 9' Haybine |
| Ford LT10A w/38 Inch Deck & Bagger | NH 770 Chopper w/Hay Head & 2 Row Corn |
| NH TR70 Combine | NH 770 Chopper & Grass Head |
| NH 15 Ft. Flexhead | NH 350 Grinder Mixer |
| NH 6 Row Corn Head | Gehl Forage Box |
| Alamo Batwing Mower, 12x6 Ft. | |
| NH 553 Skid Loader | |
| Vicon V-Will Rake | |

Located: 1 Mile Off Exit 8, On 696 North To Orchard Rd.

Hours: 8:30-5:00 Mon. Thru Fri.
8:30-12:00 Saturday

MISC. USED EQUIPMENT & TRACTORS USED TRACTORS

IH F706D
Case IH 895 4WD w/2255 Loader, Only 195 Hours
IH 1862 w/46" Deck
Yanmar **SOLD**

USED EQUIPMENT

JD 1219 Mower Conditioner
IH 1190 9' Mower Conditioner
IH 800 6R Planter
Kuhn 200 Mower Conditioner
Kuhn SC300-Mower Conditioner
NI 353 Spreader
NI 484 Round Baler
IH 440 Baler w/Thrower
IH 510 Drill 18x7
Woods HD 315 Mower
Gehl 1500A Round Baler
NH 315 Baler w/Kicker
72" Manure Forks for 2250 loader

BIGGS INCORPORATED

190 Biggs Hwy.
Rising Sun, MD
410-658-5531



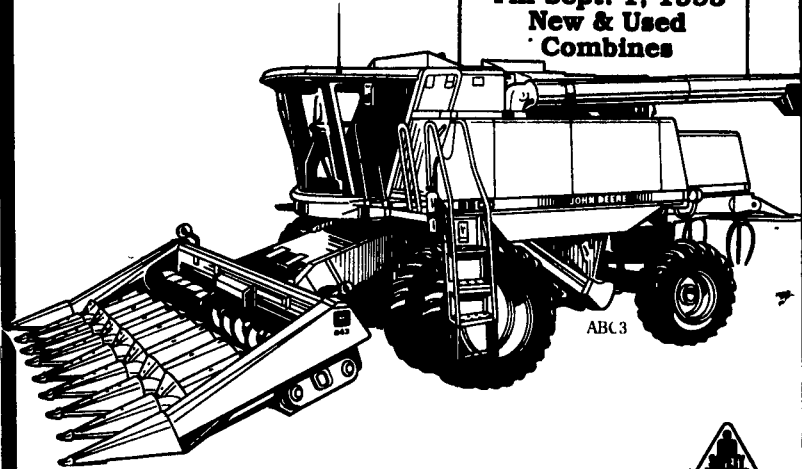
JOHN DEERE

COMBINE OF THE '90S DEAL OF THE YEAR

- 9500 Maximizer™ Combine... up to 235 hp, 204-bu. grain tank.
- Slow moving, 26-inch-diameter cylinder assures excellent grain quality.
- Large threshing area, extra cleaning capacity.
- Advanced cab, center-mounted with buddy seat.

GOOD DEAL

NO INTEREST
Till Sept. 1, 1995
New & Used Combines



GOOD DEALS... AND A GOOD DEAL MORE

PREVIOUSLY-OWNED EQUIPMENT

TRACTORS

JD 4850 4WD, Power Shift.....\$49,500
JD 2020 Gas Orchard Tractor....\$4,295

COMBINES/FORAGE EQUIPMENT

JD 9500 1497 Eng. Hrs., 1091 Sep. Hrs..... \$73,500
JD 9500 976 Sep Hrs., 1275 Eng Hrs.\$74,500
JD 9500 1661 Sep. Hrs, 2462 Eng. Hrs..... \$73,500

TILLAGE

JD 712 Mulch Tiller 13'9"\$5,718
JD 235 Disk 16'\$3,995
Bradco 12' Chisel Plow\$1,685

HAY EQUIPMENT

JD 346 Baler #30 Ejector, 1973\$2,995
JD 346 Baler #30 Ejector 1980\$5,200

PLANTERS/DRILLS

JD 7200 6 Row, Liq. Fert..... \$17,499
JD 7200 6 Row Vacuum Planter\$14,099
JD 10' Double Disc Drill\$2,999

COMBINE CORN HEADS/GRAIN PLATFORMS

JD DP Grain Plat 15' Level Land Drive\$1,450
JD DP Grain Plat. 15' Level Land Drive\$1,249
JD 913 Grain Plat. 13' Flex\$7,199
JD 915 Grain Plat. 15' Flex\$8,495
JD 215 Black Reel Grain Platform, Flex HeadComing In
JD 643 Corn Head Low Tin 6NR\$9,975
JD 643 Corn Head High Tin 6NR\$4,995

Best Buys in Used Equipment

USED EQUIPMENT

MF 1155 tractor w/cab , 18.4x34 tires, 2,400 hrs.
Farmall Super C w/fast hitch
Farmall 806, WF w/fast hitch
500 gallon tow type sprayer, 26' boom, roller pump
Demco 200 gallon 3 pt. sprayer w/26' boom, nice
6 ton running gear
(1) NH 489 mower conditioner
Brillion 16' transport harrow
Woods M5 Dixie 5' rotary cutter
JD 3 btm. pull type plow w/coulters, coverboard & cylinders

Taylor-Way 3 pt. 13' chisel plow
Taylor-Way 13' offset disc w/cushion gangs, very good
IH 183 4 row cultivator
NH 68 baler w/50 thrower, good condition
Glenco 12' pull-type field cultivator
IH 456 4R Cornplanter, dry fertilizer w/insecticide
18.4x34 snap on duals
Unverferth M-1190, 190 bu. gravity box **SOLD**

Unverferth gravity boxes in stock

We Ship Parts UPS Daily

BANGOR IMPLEMENT

6 Flicksville Rd., Bangor, PA 18013

610-588-5922 or 610-588-5924



LEHIGH AG EQUIPMENT, INC.

6670 Ruppssville Road, Allentown PA 18106

610 398 2553

We Ship Parts Same Day To Your Farm