

**4 BUILDINGS AND SUPPLIES**

**SAVE 5% THRU NOVEMBER OFF THESE PRICES**

**GARAGE DOOR PRICES**

**PIONEER 7825 SERIES - Raised Panel Door**

**RETAIL PRICING**

Extension	Insulated		Non-Insulated	
	Base Price	Add'l For Torsion Add	Base Price	Add'l For Torsion Add
8x7	\$272.00	\$27.00	\$226.00	\$26.00
9x7	289.00	27.00	238.00	26.00
10x7	339.00	27.00	274.00	26.00
15x7	507.00	35.00	392.00	35.00
16x7	482.00	40.00	459.00	40.00
18x7	639.00	40.00	526.00	40.00
8x8	\$342.00	\$40.00	\$279.00	\$36.00
9x8	351.00	40.00	293.00	36.00
10x8	399.00	45.00	341.00	39.00
15x8	565.00	52.00	474.00	44.00
16x8	553.00	55.00	466.00	47.00
18x8	681.00	63.00	575.00	53.00

Colors: White, Almond, Brown, Teratone, & Sandstone.

**AUTOMATIC GARAGE DOOR OPENERS AS LOW AS \$189.00**  
Includes Vinyl Trim & 1 Piece of Angle Per Door.

**KEYSTONE STRUCTURES & DOORS**

1-800-717-0556 717-865-0556 Fax 717-865-0756

**6 DAIRY EQUIPMENT**

**MILKING EQUIPMENT:** 2" Glass Pipeline 100+ Pump Alternating Pulsation Mini-Orbits \$2900; 1000 Gal Girton Tank w/55HP Compressor \$2500, 40 Plate Cooler \$450, Double Seven Parlor \$9500 Brandt's Farm Supply (717)367-1221

**FOR SALE:** Lots of used claws, shells, pulsators, takeoffs, meters, weigh-jars, bucket milkeres, DV-300's, receiver groups, CIP's, etc. Many brands and models "Free" UPS shipping or delivery **BUY-SELL-TRADE 15 day Satisfaction Guarantee E-ZEE MILKING EQUIPMENT, INC** "Specializing in used equipment" Gordonville, PA 17529 717-768-7599.

Portable milker for 1 cow, little use, \$800. (908)782-4802.

Surge 8-stall milking parlor, complete \$12,000; (2) Brock 7000bu grain bins w/unloading augers and drying floors, \$2500/ea; (3) Star 24' silo unloaders, \$2000/ea; Cross conveyors & 14' concrete feed trough, \$2000, MC continuous flow grain dryer w/5hp motor, \$5000; barrel type grain cleaner, \$250. 412/239-5431

Westalia Computer feeder w/6 stalls and 180 transponders Call (315)773-2646

Rissler mixer 135, like new, (2) Rissler conveyors, (4) 24" barn cooler fans, (6) large poly dome calf hutches. 610-593-8160.

FarmMaster TMR mixer #90, complete 3hp motor. 610/944-0541

**DURABLE RUBBER**  
Naturally Comfortable  
**COZY COWMATS**  
and  
**HAPPY MOOMATS**

**CEDAR CREST EQUIPMENT**

608 Evergreen Rd. Lebanon, PA 17042  
717-270-6600  
800-646-6601

**ATTENTION BUY OUT FARMERS**

- Good Used Tanks - Call Us
- 150 Gal. Milkkeeper
  - 200 Gal. Sunset
  - 250 Gal. Sunset
  - 250 Gal. Mueller
  - 250 Gal. DeLaval
  - 300 Gal. Sunset
  - 300 Gal. Mueller
  - 300 Gal. Storage
  - 400 Gal. Mueller
  - 400 Gal. Girton
  - 400 Gal. Zero
  - 400 Gal. Sunset
  - 500 Gal. Milk Keeper
  - 500 Gal. Mojonnier
  - 500 Gal. Sunset
  - 500 Gal. Jamesway
  - 500 Gal. Mueller
  - 500 Gal. DeLaval
  - 500 Gal. Girton
  - 600 Gal. Mueller
  - 600 Gal. Sunset
  - 600 Gal. Mueller
  - 600 Gal. Mueller
  - 600 Gal. Mueller
  - 600 Gal. Mojonnier
  - 600 Gal. Dari-Kool
  - 600 Gal. Mueller "M"
  - 600 Gal. Girton
  - 600 Gal. Milkkeeper
  - 600 Gal. Jamesway
  - 600 Gal. Mojonnier
  - 600 Gal. Dari-Kool
  - 600 Gal. Mueller
  - 600 Gal. DeLaval
  - 600 Gal. Mueller
  - 600 Gal. Girton D-5
  - 600 Gal. Dari-Kool
  - 600 Gal. Mueller
  - 600 Gal. Walker
  - 600 Gal. Lifetime
  - 1000 Gal. Mueller "OH"
  - 1000 Gal. Mojonnier
  - 1250 Gal. DeLaval
  - 1250 Gal. Mueller "OH", Recond
  - 1250 Gal. Mueller "OH"
  - 1500 Gal. Girton D-5
  - 1500 Gal. Girton
  - 1500 Gal. Mueller "OH"
  - 1500 Gal. Dari-Kool
  - 1500 Gal. Sunset
  - 1500 Gal. Mueller "OH", Recond
  - 2000 Gal. Mueller
  - 2000 Gal. Dari-Kool
  - 2000 Gal. Girton D-5
  - 2500 Gal. Mueller
  - 2500 Gal. Milkkeeper
  - 2500 Gal. Girton
  - 3000 Gal. Storage
  - 4000 Gal. Storage
  - 6000 Gal. Walker
  - 6000 Gal. Lifetime

**HEAT EXCHANGERS**

- Therma Stor 80 • Therma Stor 100
- Mueller Fre Heater 105 Gal.
- Therma Stor III, 120 Gal. • Mueller Fre Heater 50 Gal.
- 300-6000 Gal. Storage Tanks

Installation, Sales And Service

**RAY SHENK**

505 E. Woods Drive Lititz, PA 17543  
Sales 717-626-1151 24 Hr. Service

**5 GRAIN EQUIPMENT**

**BSI** Grain Bins Grain Dryers

**Hance Corp.** Elevators

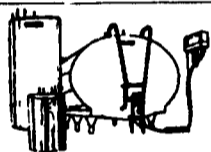
**Sones Grain Systems**  
Jim & John

Check Our Prices Before You Order  
We Personally Install Everything We Sell  
717-584-2282

**Sukup**  
Stirring Machines  
Grain Cleaners

RR7, Box 470  
Muncy, PA 17756

**6 DAIRY EQUIPMENT**



- 2000 gal. Mueller OH
  - 1500 gal. Mueller OE
  - 1000 gal. Mueller OH
  - 1000 gal. Mueller Flat Top
  - 900 gal. Mueller OH
  - 700 gal. Mueller V
  - 500, 600 & 800 gal. Milkkeepers
  - 500, 600 gal. Zeros
  - 300, 400, 500 gal. Mojonniers
  - 300, 400, 500, 600 gal. Girtons
- MANY MORE GOOD USED COOLERS IN STOCK

**MARLIN'S REFRIGERATION**  
(717) 352-2783

(3)7000 Bushel Grain Tank and Truck Hoist. Best Offer 7 Miles East of Trenton, NJ (215)493-3495.

5000 bushel Martin grain bin w/auger. Disassembled, \$1,200 (610)681-4134.

Chore Boy 12 ton feed bin, 1 1/2 hp motor w/6' auger, used 3 months, like new, \$2,100 Evenings, (410)275-1030.

Complete Grain System, like new 48' dia bin 60,000 bu. (2) 2700 bu bins on 15'H elevated structure, 20' Super B dryer, 100' elevator leg, 900 bu bin on elevated structure, other misc. pipes & steelwork 717/649-5488.

For rent: 11,000 bushel grain bin, false floor with fan. Eastern Lanc. Co. 717/445-8422.

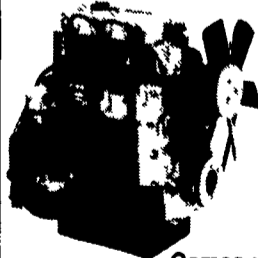
New idea #325 corn picker, without husking bed, in good condition, \$850. (410)658-5366.

Rissler 135 TMR mixer, very good condition, no haylage Lancaster Co. 717-529-6744.

Specializing in Building and Dismantling Grain Bins and Equipment. Built-Rite Enterprises. (717)336-6215 David Zimmerman.

**6 DAIRY EQUIPMENT**

**A New Range of Diesel Engines from**



- Quiet running
- Liquid cooled
- Cast iron crankcase
- Cast iron cylinder head

Comes with starter, alternator, radiator & mounting feet  
Very competitively priced

**GIVE US A TRY - CHECK OUR PRICES DIESEL OUR SPECIALITY**

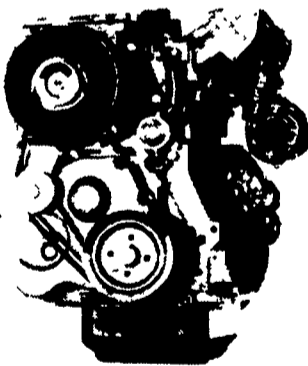
Distributor for  
Lister/petter and Lombardini Diesel Engines  
6-8-12V Regulated  
**CHARGE-MASTER Battery Charger**

**HOOVER DIESEL SERVICE**

255 Mascot Rd., Ronks, PA 17572  
(717) 656-3322 (717) 295-1729

**Ten-Eleven.**

The **NEW** Generation of **DEUTZ** Engines



**Quieter, Smoother, Smaller, Simpler.**

Now there's a premium engine without the premium price. Contact us for details on what makes the Ten-Elevens quieter, smoother, smaller, simpler.



**FRICK COMPRESSORS**

Rebuilt 3 HP & 5 HP  
Call For Details

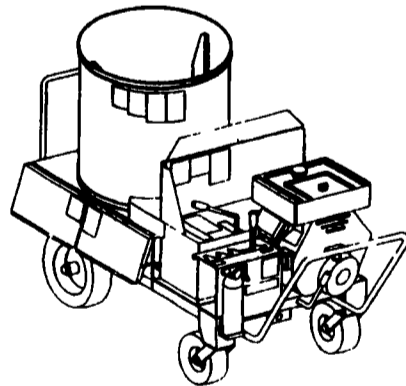
- 100 KW Gen-Set—Call For Details
- BF6L9L3 Deutz 158 HP/2300—Call For Details
- S4F Mitsubishi, 50-60 HP
- Used F2L912 Deutz

**RUFUS BRUBAKER REFRIGERATION & POWER**

**JAMES E. HORST**  
76 Pumping Station Rd.  
Quarryville, PA 17566  
717-786-1617

**THIS WEEK'S SPECIAL**

**CHOP MASTER BEDDING CHOPPER**



**FEATURES:**

- Double V-Belt Drive System.
- 1-1/4" Diameter Rotor Shaft
- 1-1/4" Main Rotor Bearings.
- Quick change Rotor
- Spring Loaded Idler Pulley
- Centrally located handles.
- Heaviest Grate on the Market.
- Fully Adjustable Grate.
- Heavy Gauge Galvanized Steel
- Spiral Cut Knife Rotor
- 80 Knives per Rotor
- Tip off Drum Deck
- Large Capacity Round Drum
- Powder Baked Finish
- Fire Extinguisher

Gas or Electric Models Available

**THE HEAVIEST GALVANIZED CONSTRUCTED CHOPPER ON THE MARKET**

