

**Hetrick Farm Supply**  
RD 3 • New Bethlehem, PA 16242  
**814-275-3507**  
**USED EQUIPMENT**

**TRACTORS**

Case IH 1896, cab, air, very good  
Zetter model 12145, MFD

**CORN PICKERS**

(2) NI 324, 12-roll bed, very good  
NI 325 Super Sheller, 12 Roll Bed  
Very Good  
NI 325 w/12 roll husking bed  
IH 234 mounted, stripper rolls

**HARVESTING**

1R corn head for Badger or MF harvester  
NH 717 super chopper, 2 heads  
Badger 2600 w/2heads  
2R Snapper head for Badger  
NH 717 2RN head  
NI 762 2R for Uni  
IH 227 2R for combine  
\* IH 820 13' flex head for axial flow combine \*

**MICELLANEOUS**

(2) NH #8, 3 Beater Wagons  
(2) IH 510 18-hole DD drill  
IH 510 18-hole SD drill  
12' Sunflower offset disc, like new  
JD 112 forage box  
Badger 80' power track feeder



**NEWHOLLAND**

**FORD TRACTORS**  
Used 1210, 4 WD  
Used 8N

**NEW HOLLAND**

New 650 Round Baler  
New 40 Forage Blower  
New 816 Forage Box  
New 463 disc mower  
Used 770 harvester  
Used 310 baler w/thrower  
Used 469 Haybine  
Used 442 Disc Mower

**OTHER TRACTORS**

Used Farmall Cub w/Mwr.  
Used Farmall A w/Mwr.

**OTHER EQUIPMENT**

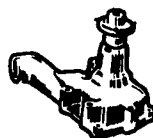
New Kuhn FC300 Disk  
Mower Conditioner  
New Ford 140 3x16"  
Moldboard Plow  
New Ford 133 High  
Clearance Chisel Plow  
New Ford 151 4Bx16"  
Auto Reset Plow  
New Ford 152 5Bx16"  
Auto Reset Plow

**Sweigard Bros. Inc.**  
3882 Peters Mtn. Rd.  
Halifax, PA 17032  
**717-896-3414**  
Since 1937

**Spring Garden Repair**



**Isaac S. Stoltzfus**  
145 Spring  
Garden Road  
Kinzers,  
PA 17535



Gas & Diesel Engine Rebuilding  
Cast & Aluminum Head Rebuilding & Welding  
Block Boring & Sleeving  
Flywheel Grinding  
Engine Parts  
Tractor Pistons & Sleeve Kits  
Rebuilt Tractor Heads  
New & Rebuilt Water Pumps



**Excellent Ford Tractors**

**TW-20**, cab, air, 18.4Rx38, weights, 3,500 hrs.  
**7710 II**, cab, air, 4WD, DP, 1,050 hrs.  
**7710 II**, cab, air, 18.4Rx34, 1990 model, 1,100 hrs.  
**7610 II**, DP, 16.9x38, 1990, 900 hrs.  
**6610 II**, 4WD, DP, dual deluxe remotes, 200 hrs.  
**6610 II**, 4WD, canopy w/Ford loader, 1,000 hrs.  
**6610 II**, cab, 18.4x34, DP, 1,600 hrs.  
**5610 II**, cab, air, 4WD w/Ford loader, 1,800 hrs.  
**5610 II**, 4WD, DP w/Ford 7410 Loader, 1,100 hrs.  
**4610 II**, syncro trans., 16.9x30, 1,100 hrs.  
**4000**, diesel, w/Dunham loader. 8 spd., 16.9x30, 4,000 hrs.  
**4000 SU**, gas, 8 spd, 14.9x28  
**3930**, 4WD, 14.9x28 w/Allied 394 loader, 1992 model w/230 hrs.  
**3910 II**, dsl., roll bar, 13.6x28, weights, 200 hrs.  
**2600**, diesel, 8 spd., LPTO, PS, 3,100 hrs.  
**2120**, 4WD, 12x4 trans. w/394 loader, 200 hrs.  
**1720**, 4WD Shuttle w/Ford loader, 1,300 hrs.  
**JD 2940**, hi-low, 2,500 hrs.

**Equipment**

**FNH 492** haybine, like new  
**FNH 355** grinder mixer w/electronic scales, like new  
**NH 353** grinder mixer, excellent condition  
Weights to fit most Ford tractors

**Ford Loaders**

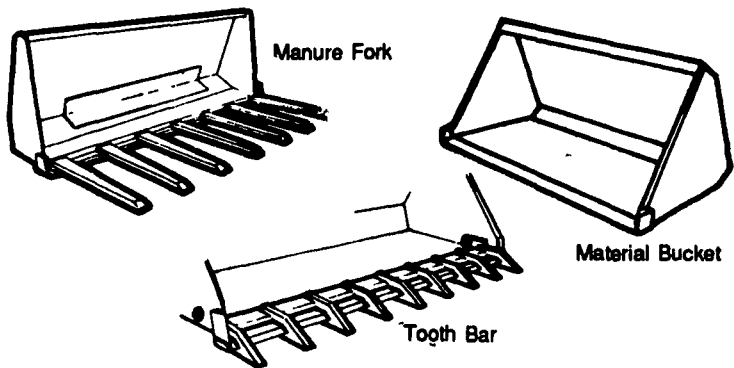
**7410 QT** fits 2WD & 4WD, 5610 thru 7610  
**772 QT** fits 5000 thru 7610

All Tractors Tested On Our Farms.  
-Please Call For Appointment-

**Burkholder Bros.**  
Lebanon, PA

**717-272-2352 717-949-2123**

**ATTACHMENTS for Skid Steer Loaders**



- Standard or Custom Sizes
- Hardened, Beveled Edge
- 7 gauge Material (other gauges available)

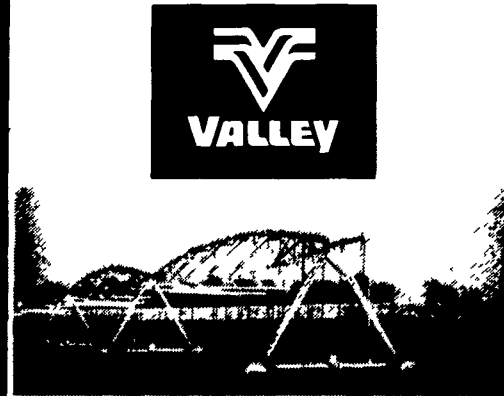
Call for a Quote!

PA (717) 354-8721

US (800) 342-0905



325 West Main St., New Holland, PA 17557



ON NEW 1990 6000 MODEL ONLY — OFFER ENDS NOVEMBER 10

**7.69% Fixed APR**

- 5 Year Retail Sales Contract
- Low Down Payment
- 1st Payment Due January 1996
- No Prepayment Penalty

(OR CHOOSE)

**Super Cash Flow**

- 5 Year Fixed Rate
- Pay No Interest until May 1, 1995
- Low Down Payment
- 1st Payment Due January 1, 1996
- No Prepayment Penalty

**See Our New 3-in-1 Modular Control Panel!**

**Valley Standard**

Top of the line in industry standard panels. Upgradable all the way to the Valley PRO. Simple "slip-on" modular "step-up" design

**Valley Select**

New C.A.M.S Technology Field position indicator is standard Set water application depth in inches with digital display Diagnostic display No ladder or wrenches required.

**Valley Pro**

Field proven C.A.M.S Technology Fully programmable to automatically change water application and/or direction based on your crop needs and your schedule Control from your home or farm office with optional base station.

**Farm-Rite Inc.**

Agricultural Equipment, Supplies & Services

SHILOH, N.J.

1-800-752-6373

LIMITED TIME/QUANTITY OFFER Subject to change without notice — financing (available only in U.S.A.) subject to credit approval — certain restrictions apply For your nearest Valley dealer call your Valley Customer Support Center 1-800-825-8888 ext. 3415



**Clugston**



717-263-4103  
1-800-377-3040

**Ag & Turf, Inc.**

3213 Black Gap Rd.  
Chambersburg, PA  
17201

**JOHN DEERE**

**NEW EQUIPMENT**

**New Tractors**  
7700 MDWD, C6  
6400 CG  
**Rental Returns**  
7400 MFWD, CG  
**Forage**  
JD 3970  
JD 3950 Harvester  
JD 2RN  
JD 3RN Head  
**Compact Tractors**  
7700 MFWD w/Loader  
755 2WD 855 MFWD  
755 MFWD  
**Planters**  
7200 4RN Dry  
7200 6RN Dry  
7200 6RN Dry  
JD 1018 CTR Pull  
**Balers**  
JD 335 JD 385  
**Mower Conditioners**  
JD 1460 JD 820  
JD 1600, 14' JD 350, 3 Ft.  
**Tillage**  
JD 550 Mulch  
Master  
(2) JD 635 Disc  
12'  
JD 714 Mulch  
Tiller  
JD 915V Ripper  
Spreader  
JD 785  
Utility Vehicle  
6x4 Gator

**USED**

JD 4240 w/cab  
JD 650 MFWD  
JD 2010 w/loader  
Oliver 1650  
MF 2705, Cab And Air  
JD 6400 CG, 2WD  
JD 950  
JD 1440 w/Dry Fert.  
NH 565 Baler w/Thrower  
Baled Less Than 600  
IH Forage Wagon 120  
JD KBA Disc  
JD 7000 4RN, Liquid  
White 5100 6RN, Air  
NH 489 Haybine  
920 Gehl Forage Wagon  
Badger Forage Wagon  
NH #8 Forage Wagon  
White 5400 6R w/Monitor  
JD 175 Loader  
Harland Fodder Chopper,  
Fits On A 4' Round  
Baler  
Landpride Flail Mower  
Artsway Mixer Wagon  
JD FBB Drill  
Oliver 4 Bottom Hyd. Reset  
JD 3960 Harvester  
MF 1144 Corn Head  
NH #8 Forage Box, 3 Beater  
Roof  
NH #8 Forage Box, 3 Beater,  
No Roof  
JD 785 Spreader  
Martin Spreader  
IH Grain Drill  
JD 7700 Combine w/both  
heads  
MF 550 w/comhead

**Rotary Cutters**  
JD 603, 616, 403, 503  
JD 1018, Offset

**FORAGE BOXES**

Dion 1060 SE  
Miller Pro 5100  
Miller Pro 5012 Dump Box  
(3) Dion Mammoth Forage Blowers

**All In Stock  
Ready To Go**

**Peerless Roller Mill  
Excellent Condition**

**USED FORAGE BOXES**

(3) JD 716  
(3) Badger 1050  
(2) NH 8, Roof, No Roof  
(1) NH, Like New  
920 Gehl  
IH 120

Used Boxes Field Ready, Ready For Delivery

**JOHN DEERE**

**Test a new 8000 Series Tractor**

Discover all-new power, performance, and control

- Feel the high-torque power of the new 8.1 and 7.6L engines with exclusive electronic engine control
- Put all major tractor functions in the palm of your hand with the revolutionary new CommandARM (armrest module)
- Experience unprecedented visibility.
- Shift the ultra-efficient 16-speed power shift transmission
- Turn tighter than any other high-horsepower MFWD tractor
- Set hydraulic flow rate and time from your seat on-the-go.



A007

**NOVEMBER 8, 1994**  
from 10 a.m. to 2 p.m.  
Raindate - November 10th

**This Demonstration presented by**  
**Enfield Equipment**  
6600 Limestone Road, Oxford, PA  
215-932-8858  
It will be held 2 miles north of the dealership on Rt. 10



21ST CENTURY TECHNOLOGY TODAY