

# Pennsylvania DHIA Year-End Reports

(Continued from Page D4)

## JERSEY

Farm Name	Barn Name	Age Yr-Mo	Actual Production				
			Milk Lbs	Prot %	Prot Lbs	Fat %	
RANKIN FARM	BAMBI	06-06	28029	3.4	960	4.6	1298
CAMPBELL+RUN JERSEYS	24	08-01	25507	3.8	980	4.7	1203
RANKIN FARM	LOLIPOP	05-09	24647	3.8	946	4.8	1183
ROBERT C DREISBACH	3	05-01	24314	3.8	919	4.2	1011
KENNV DAIRY FARM	739K	03-10	23452	3.7	862	5.4	1256
BYERS FARMS	08 23S	09-08	23132	3.5	806	4.6	1060
DAWN F RHEIN	DANIELE	05-01	22784	3.3	754	4.6	1056
ROMAR JERSEY FARM	1008	03-05	22760	3.5	800	4.5	1033
RANKIN FARM	LESLIE	04-06	22602	3.5	795	4.6	1042
RALPH + GARY OAKES	HOPE	06-06	22524	3.4	764	4.4	989
ROMAR JERSEY FARM	DAWN	04 10	22359	3.4	750	4.3	953
ROBERT C DREISBACH	562	06-04	22297	3.5	782	3.8	846
ROBERT C DREISBACH	669	04-00	22181	3.4	757	3.2	715
XANADU JERSEYS	STACEY	03-10	22031	3.3	719	2.7	598
ROBERT C DREISBACH	523	07-05	22011	3.4	759	4.3	949
ED BYERS	CIM	04-01	21896	3.8	830	4.3	952
PAUL & MARY FETTER	PRINCES	06-03	21837	3.0	655	3.4	740
XANADU JERSEYS	DOTTIE	06-02	21829	3.8	836	4.7	1030
RANKIN FARM	MILLY	03-11	21817	3.6	776	4.4	963
FROSTY-VALE FARM	CARRIE	04-04	21730	3.3	719	4.4	962
NORMANDELL FARMS	FROLIC	03-03	21589	3.6	769	4.1	875
XANADU JERSEYS	MAYSTAR	05-11	21525	3.7	807	5.0	1078
DAVID L PHILLIPS	84	09-10	21504	3.6	784	4.6	985
RALPH + GARY OAKES	TISH	04-01	21488	3.3	716	4.5	962

## BROWN SWISS

BREED: BROWN SWISS

Farm Name	Barn Name	Age Yr-Mo	Actual Production				
			Milk Lbs	Prot %	Prot Lbs	Fat %	
BRUCE R HEILINGER	LYNETTE	06-01	31385	3.2	1019	3.1	985
BRUCE R HEILINGER	LUCIOUS	04-02	30671	3.4	1041	2.7	825
DEAN&BRENDA DAUBERT	JUB	03-08	29812	3.2	942	3.6	1081
GARY LEE MASE	#JESICA	08-01	27892	3.6	1011	3.4	961
NORTHKILL CREEK FARM	NIKKI	10-08	27653	3.7	1023	4.2	1165
R WRIGLESWORTH & SON	DILLIE	06-05	27094	3.0	821	3.3	893
BRUCE R HEILINGER	MANDY	02-11	27051	3.2	871	3.4	921

DEAN&BRENDA DAUBERT	AUDRA	08-10	26182	3.5	906	3.8	1003
WILLIAM R DAUBERT	MARY	07-11	26113	3.4	890	3.2	834
BRUCE R HEILINGER	MIAMI	05-00	26107	3.3	852	3.5	912
WILLIAM R DAUBERT	MAE	06-10	25955	3.4	882	3.3	845
BURKET FALLS FARM	556	04-07	25764	3.5	910	4.1	1060
DEAN&BRENDA DAUBERT	*SPICE	11-06	25431	3.0	752	3.0	765
K+q SWISS	M LARK	04-02	25247	2.9	738	3.0	769
DEAN&BRENDA DAUBERT	JILL IAN	07-07	25011	3.5	878	3.0	741
BRUCE R HEILINGER	NITOSHA	03-01	24980	3.4	846	2.9	735
ERIC JORDAN	1	03-03	24833	3.2	797	3.8	950
RICH & DONNA HILL	H1	08-09	24563	3.0	749	3.7	902
LITTLE-HILL FARM	MADENE	04-00	24505	3.5	864	4.4	1080
GARY LEE MASE	DANDY	09-04	24332	3.6	869	3.4	824
BRUCE R HEILINGER	ROSETTA	04-03	24303	3.3	802	3.4	823
GARY LEE MASE	ARBER	04-04	24276	3.3	803	3.7	895
GARY LEE MASE	LORI	07-07	24192	3.6	860	4.1	985
MARK GIERON	48	04-03	23777	3.6	849	3.8	908
WILLIAM R DAUBERT	ALAMAY	06-08	23598	2.9	693	3.2	757

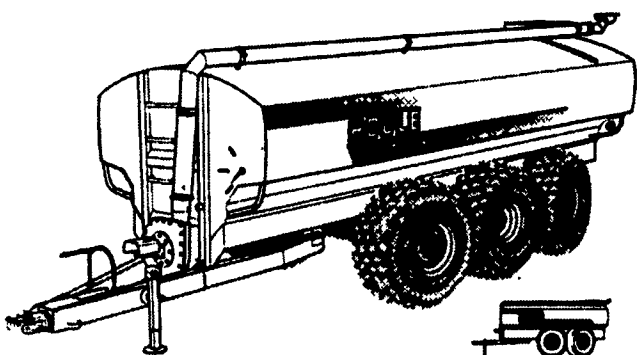
## MILKING SHORTHORN

Farm Name	Barn Name	Age Yr-Mo	Actual Production				
			Milk Lbs	Prot %	Prot Lbs	Fat %	
PAINTER LAND FARM	206	04-10	22994	2.6	602	4.1	941
HORIZON FARM	ASHLEY	04-06	22117	3.1	689	3.5	768
DWIGHT E FARMERY	59 22	04-04	21019	3.2	674	3.3	694
PAINTER LAND FARM	112	02-11	20776	2.8	589	4.4	913
MICH.3EL ZOLOCSIK	SNOWIE	06-11	19220	3.5	673	3.9	756
HORIZON FARF	POPPY	05-08	18514	2.9	539	2.9	532
HIDDEN ACRES FARM	CRANBRY	04-11	18391	3.1	578	3.6	662
PAINTER LAND FARM	4	03-08	17540	3.3	587	4.4	768
MICHAEL ZOLOCSIK	SNOWIE	06-11	17148	3.4	590	3.9	671
PAINTER LAND FARM	213	03-06	16466	3.1	512	3.6	590
HORIZON FARM	SHANAON	03-02	16374	3.1	510	3.5	572
HORIZON FARM BOX i	SUNSHIE	05-11	16093	3.3	528	3.4	548
HARROP FARM	28	04-02	16072	3.2	511	3.3	535
PAINTER LAND FARM	113	02-08	15924	2.9	467	3.3	531
HIDDEN ACRES FARM	LADY934	04-02	15920	3.0	478	2.9	463
HORIZON FARM	SHASTA	03-08	15244	3.2	484	3.7	568
HARROP FARM	72	05-00	15202	3.2	483	4.1	626
JOHN C GOSHORN	HONEY	04-01	14941	3.1	463	4.1	616
DONALD E WIVELL	SKY	01-11	14625	3.6	533	4.2	607

(Turn to Page D6)

### LIQUID MANURE SPREADER

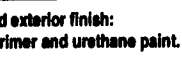
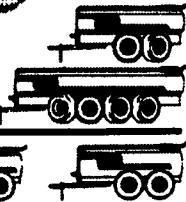
WITH FLOTATION TIRES TO MINIMIZE SOIL COMPACTION  
Available with complete line of spreading tool bars and precise flow control to spread manure the ecological way eliminating spray drift and reducing odors. Our tool bars are designed to apply hog or dairy manure on growing fields, between rows of corn or on harvested fields.



4-6 OR 8 WHEEL SPREADERS WITH POWER STEERING-3850 TO 9500 US GAL.

SPREADERS WITH SINGLE AXLE OR TANDEM-2350 TO 6000 US GAL.

- "V" shape bottom for more complete clean out.
- Standard exterior finish: epoxy primer and urethane paint.
- Low profile tank for maximum visibility and stability.

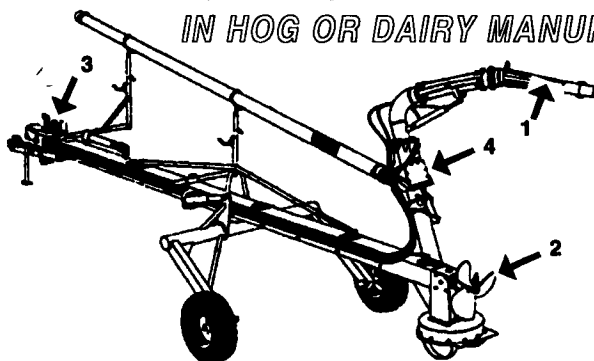


Rent the **NEW HOULE** Steering Axle Spreader

### AGI-POMPE

32' and 42' for Lagoons

GREAT PERFORMANCE IN HOG OR DAIRY MANURE



- 1-Highly articulated nozzle designed to slice and break the top crust from above the manure level as the propeller homogenises the liquid with the remaining floating chunks.
- 2-24" dia. mixing propeller providing full time agitation up to 21,500 US G.P.M. even when loading a spreader.
- 3-Hydraulic controls can be operated from tractor seat.
- 4-Rotative directional valve designed to be operated at low R.P.M. without stopping the P.T.O.

Gear box oil bath protected by a greasable 3 seals mechanism on each shaft.

AVAILABLE WITH MULTIPURPOSE OPTION TO ALSO CLIMB INTO CONCRETE PITS UP TO 14' DEEP.

**HOULE** Spreaders & Pumps In Stock for Immediate Delivery

## Extension To Honor Jurchak

SCRANTON (Lackawanna Co.) — Penn State Cooperative Extension of Lackawanna County will hold its annual meeting on Saturday, November 12 at 2:30 p.m. at the Genetti Manor in Dickson City. The program will highlight the extension career of Thomas B. Jurchak, county extension director. Jurchak will be retiring at the end of the year after 38 years of extension service.

A native of Anita, Pennsylvania, Jurchak received both his bachelor of science and master of science degrees from Penn State University. He began his extension career in 1956 as an assistant agent in Luzerne County and was transferred to Lackawanna County one year later. Before joining extension, Jurchak worked for the Soil Conservation Service and the National Dairy Products Corporation.

Jurchak is noted for his outstanding extension programs in the areas of milk marketing and vegetable production. He is the author of a milk marketing newsletter that is widely distributed to dairymen and extension agents and specialists in Pennsylvania, New York, and the New England

Jurchak's recent work has been instrumental in expanding the fresh market tomato industry in Pennsylvania. He has worked with Penn State researchers to grow new tomato varieties and to reduce fertilizer application on tomato crops. He played a major role in the development of a decision making computer program which analyzes field weather data to determine the appropriate time for fungicide application. Jurchak's research has also included the development of a mechanical tomato harvester and the use of no till methods which reduce soil erosion and increase tomato production.

Jurchak has received numerous awards and honors for his extension work. They've included the Master Educator Award from the Pennsylvania Association of Farmer Cooperatives and the National Association of County Agricultural Agents' Distinguished Service Award.

Reservations are \$10 for adults and \$7.95 for children 12 years and under. Contact the Penn State Cooperative Extension office at (717) 963-6842 to make reservations.



## Cedar Crest Equipment

Two Convenient Locations

608 Evergreen Rd.  
Lebanon, PA 17042  
(717)270-6600  
1-800-646-6601

RD 2 Box 271  
East Earl, PA 17519  
(717)354-0584