

11 SWINE

Bennecoff Hogs Hampshires Poland China, Berkshires, Boars and Gilts Service Age Also Taking Orders for 4-H Project Pigs for 95 PA Farms-how 610-285-6582 or 610-285-6581

Chester White, Duroc and Spotted, boars and gilts for sale James Parlett, (717)862-3610

Quality FEEDER PIGS For Sale From Pseudorables Free Herds **Fred Patterson 615-364-7050**

YORKSHIRE BOARS FOR SALE from quality breeding stock Pseudorables Free Very Lean 14 Head, Avg. .52 Back Fat Avg. Weight 251 Lbs. Avg. Loin 5.83 **717-345-8035 evenings**

HOLLOWAY DUROCS
Quality breeding stock available off the farm or custom selected and delivered just about anywhere. Brucellosis and Pseudorables free herd. Dave **717-235-6966**

FOR SALE Duroc, Yorkshire, Spotted, Chester, and Landrace boars, and open gilts Bred gilts on order **CALVIN H. LAZARUS & SONS**
Hampshire service age boars and open gilts **DONNA & J.C. STRAWBRIDGE**
Validated free herds. Delivery available
4290 Bridge Street Whitehall, PA 18052 (610) 799-3375 farm (610) 799-3831 mkt.

FOR SALE-Yorkshire Service Boars Elwood E Houser, 2150 Quentin Rd., Lebanon, PA 17042 717-272-5798 or 273-2921

Onan 20KW diesel generator, 220V, 3-phase, housed daytank heater. \$4500 301-832-1980

Yorkshire and Hampshire boars and gilts from healthy and productive herd, Delivery available Charles B and Mark W Hall, RD#1, Box 263, Julian PA 16844 Centre County (814)355-1647

CANADIAN BREEDING STOCK
South Mountain Swine Genetics
Providing High Yield Lean Canadian Genetics

KEN RICE
300 Obie Rd.
Lebanon, PA 17042
(717) 949-2359
HAMPSHIRE-DUROC-LANDRACE-YORKSHIRE

The Pig Of Tomorrow at Our Place Today!
40 Years of Tested Genetics **RPM FARMS** Landrace Duroc Yorkshires Large Whites F1 Crossbreds
BRED GILTS - OPEN GILTS - BOARS
Write Or Phone For Your Needs.
Certified Brucellosis and Pseudorables Free Herd
Reno Thomas (717) 658-5821 Park Thomas (717) 658-6544 Mark Stehr (717) 658-7007
RD #1, Box 2449, Beavertown, PA 17813

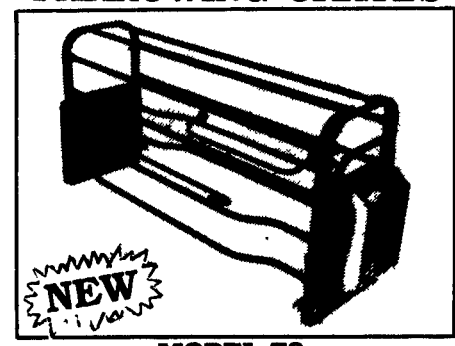

Call Ken **717/637-0192**

WILSON'S YORKSHIRES - HAMPSHIRE
R.D. 2 Box 210 New Freedom, Pa. 17349
717-235-3478
1994 Southeast 4-H Market Hog Derby
X Barrow 3rd Overall 230 31.8 Length .6BF 561 LEA Carcass

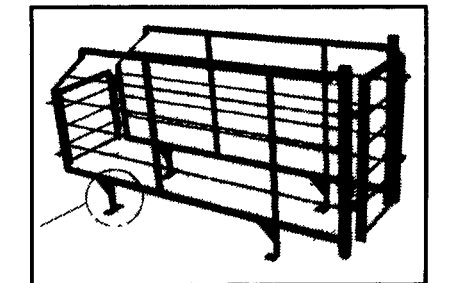
1994 PA Yorkshire Show & Sale			
Gilt	York	295	.37 7.12
Gilt	York	250	.46 6.70
Boar	York	310	.46 6.56
1994 York Fair Carcass Contest			
X Gilt	1st	225	31.1 Length .5 6.0 LEA
1994 Keystone International Harrisburg, PA			
Boar	York	320	.84 6.32
Boar	York	295	.50 6.32
Boar	York	300	.71 5.76
Boar	York	290	.67 6.08
Gilt	York	305	.50 6.96
Gilt	York	290	.71 6.32
Gilt	York	290	.89 6.48
Gilt	York	270	.57 6.48
Gilt	York	250	.46 6.00
Gilt	York	230	.33 5.50
Gilt	York	200	.35 6.00
Gilt	York	190	.26 4.80

We Breed Lean, Kill Lean Reasonable Prices
Boars and Gilts Available York, Hamp, York & Hamp Gilt
CALL TODAY WE DELIVER

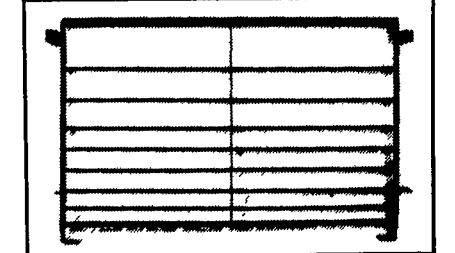
EXCELLENT SAVINGS At FARMER BOY Ag On Quality Products



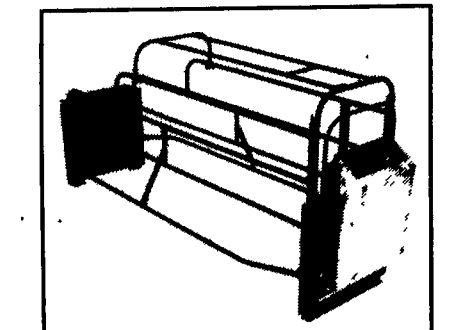
FARROWING CRATES
MODEL 70 ADJUSTABLE SWING SIDE WITH PIG SAVER BAR



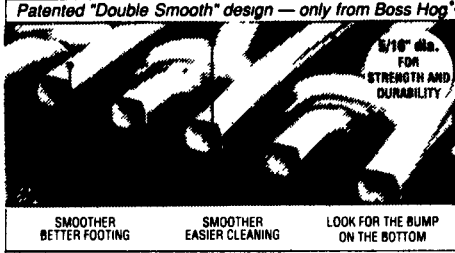
BREEDING/GESTATION STALLS



HORIZONTAL FENCING
Also Available: Vertical Fencing

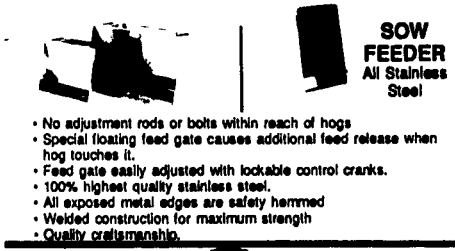


SOLID STEEL MODEL 60



SMOOTHER BETTER FOOTING SMOOTHER EASIER CLEANING LOOK FOR THE BUMP ON THE BOTTOM
Boss Hog's patented "Double Smooth" design plus the strength and durability of its exclusive 5/16" diameter wire make this your best flooring buy! Inset on Boss Hog, the wire with the bump on the bottom. From the nation's largest manufacturer of animal flooring.
"New" Size 3/8"x3" - 5/16" Wire In Stock
Woven Wire 3/8"x2-5/16" Wire 3/8"x1 1/4" - 243" Wire

Quality Stainless Steel Hog Feeders



We Ship UPS 24 Hour Service Check Our Warehouse Prices
Swine & Poultry Systems Specialists
FARMER BOY AG.
410 E LINCOLN AVE. RT 422 MYERSTOWN PA 17067
717-866-7565 Hours: M-F 7:00-5:00; Sat. 7:30-11:30
FULL LINE OF PARTS IN STOCK
For Your Poultry & Hog Needs

FALL CLEARANCE SALE

Quantity	Description	Sale Price Each
3	24" Galv. Aerotech Fans.....	\$195.00
3	36" Aerotech Boxed Crate Fan.....	\$179.00
12	36" Alum. Shutters.....	\$69.00
2	16" Galv. Fan.....	\$145.00
5	14" Galv. Fan.....	\$135.00
1	36" Panel Fan.....	\$325.00
2	1200 PSI Washers.....	\$595.00
2	Used 1200 PSI Washers.....	\$250.00
1	Kane Rotary Feeder Wet/Dry.....	\$395.00
70	Aero Alum. Baffle 8"x4'.....	\$12.50
11	Plastic Shutters.....	\$85.00
1	Slightly Damaged 4" Solid Core Auger.....	\$50.00
1	4"x15'3" Core Auger.....	\$75.00
1	4"x15'6" Core Auger.....	\$75.00
1	4"x15' Extension Auger.....	\$70.00
32	7'6"x24.5" OC Gest. St Complete w/Top Strap.....	\$49.00
131	5'x7'2"x5/16" Woven Wire.....	\$89.95
14	8'8"x5'10" 3 Guage Wire.....	\$81.50
20	4'x8'x3 Guage Wire.....	\$52.95
1	4'8"x6'10" 3 ga. Wire.....	\$75.00
48	Plastic Insulated Baffle 16"x8'.....	\$20.00
10	Slightly Damaged 4x8 Concrete Slats.....	\$24.00
93	Slightly Damaged 4x10 Concrete Slats.....	\$30.00
4	4x8 Slat w/Manhole & Cover.....	\$90.00
3	4x10 Slat w/Manhole & Cover Broom Finish.....	\$98.00
4	4x10 Slat w/Manhole Cover, Smooth Finish.....	\$98.00
5	Slightly Damaged 5x8 Airplane Slat w/Insert.....	\$95.00
4	70" Finisher Feeder.....	\$215.00
9	60" Finisher Feeder.....	\$195.00
3	50" Finisher Feeder	\$175.00
2	40" Finisher Feeder.....	\$145.00
13	30" Nursery Feeder.....	\$115.00
4	36" Dbl. Nurs. Feeder.....	\$125.00
1	20" Finishing Half Feeder.....	\$110.00
26	AP 30" Dbl. Nursery Feeder.....	\$115.00
2	Modern Ap Feeder FD-5 Model	\$165.00
4	King 2 Hole Dbl. Wet/Dry Nursery Feeder.....	\$175.00
1	King 2 Hole Dbl. Wet/Dry Finisher Feeder.....	\$375.00
1	Kane 30" Double Nursery Feeder..	\$80
1	Kane 36" Double Nursery Feeder..	\$92
1	3 Bushel Rotary Feeder.....	\$150.00
77	Slightly Used 304 Sow Feeder.....	\$35.00
18	Slightly Used 400 Sow Feeder.....	\$29.00
1	Farrowing Z Crate.....	\$150.00
4	Proctor Crate w/Water & Feeder.....	\$150.00

YOU MAKE THE DEAL
Foam Sheet Insulation 1"x4'x8'
3" Dia. Plastic Tubing
Aerotech Baffles 8", 12" & 16"
Slightly Damaged 4' Plyco Door
Hired Hand Curtain Controls
2' & 6' AC, 4' DC

HEATERS
New 225,000 BTU Galvanized....\$350
New 80,000 BTU SS. Nat. Gas...\$350
Variety of Used Heaters
Call for Prices

PORT-A-HUT
14 Peterson Dr., Storm Lake, Iowa 50588
712-732-2546
Manufacturer of quality, affordable hog and calf huts since 1963

Large Shelter By Port-A-Hut
Approximately 12' wide, 7' high, preassembled 7' sections giving you a choice of 7', 14', 21', 28' length. Can be hauled in a pickup. Approximately 2 hours set up time. 20 gauge wall protectors added on inside. Optional front closure. Built for livestock. Can be used for almost anything. Skids included. New Size: 14' wide, 8' high, 14', 21', 28' length

INDIVIDUAL FARROWING AND CALF HUT BY PORT-A-HUT
All steel completely assembled, ventilated, 7 1/4" long, optional front doors, guard rails, pig rollers and pens 15 huts can be stacked and loaded on a pickup.

LEMMON FARM, 855 Alexander Spring Road, Carlisle, PA 17013 (717) 249-8434

TRI-COUNTY
CONFINEMENT SYSTEMS INC
608 E Evergreen Rd Lebanon PA 17042
Ph. 717 274-3488
Hours: Monday Friday 8 to 5
Saturday 8 to Noon
We Ship UPS