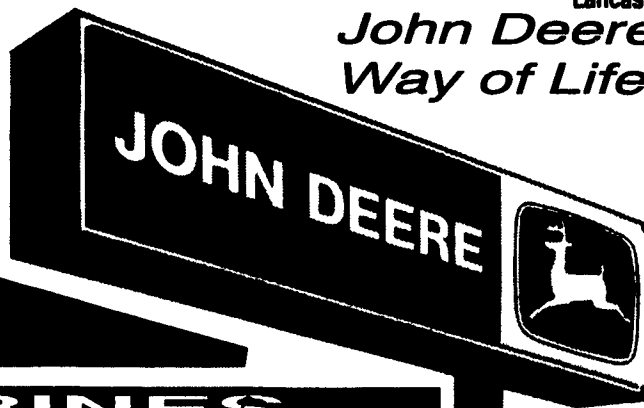


2 LOCATIONS TO SERVE YOU

John Deere... A Way of Life™



1305 Manheim Pike
Lancaster
800-524-3276
717-291-1046

30 Evergreen Rd.
Lebanon
800-327-6524
717-228-2650

Mon-Thurs 7-5:30 Fri 7-8PM, Sat 7-3PM Mon-Fri 7:30-5, Sat 7:30-noon

Brillion

**TILLAGE
EQUIPMENT**

Harley

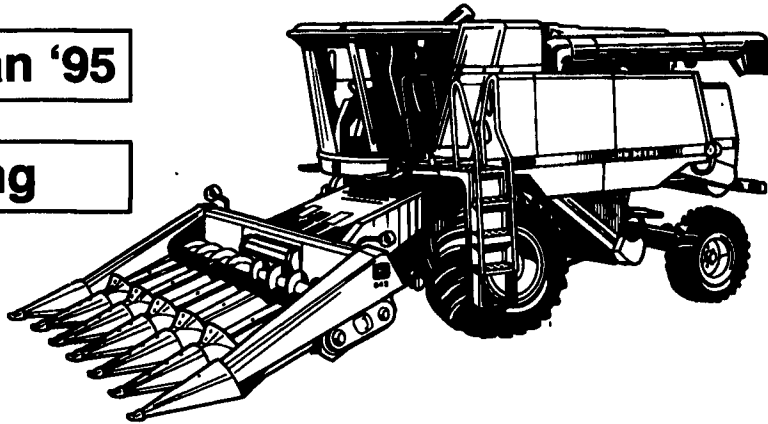
**LANDSCAPE
POWER RAKE**

USED COMBINES

0% Interest Till Jan '95

or

6.9% Financing



MF 510, Diesel, Gear, 12' Rigid, 4R30.....\$7,500

MF 760, V8 Diesel, Hydro, Chopper, 2850 Hours, 15' Flex.....\$12,500

JD 6600, Diesel, Variable Speed, 2800 hrs., w/15 ft. Platform.....\$7,500

JD 7700, Diesel, Hydro, 3492 Hours.....\$9,500

JD 4400, Diesel, Variable Speed, Straw Spreader, 2405 Hours.....\$15,000

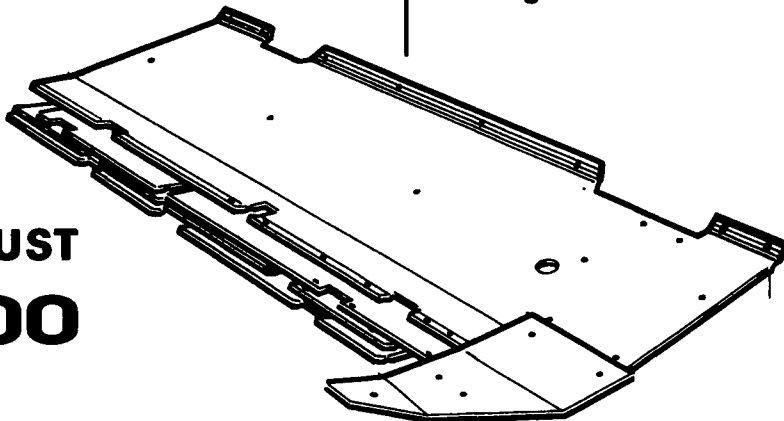
JD 9500, Hydro Chopper, 2759 Hours.....**SOLD** \$68,000

JD 9500, Hydro, Chopper, 1721 Hours.....\$77,000

They take a licking and keep from sticking

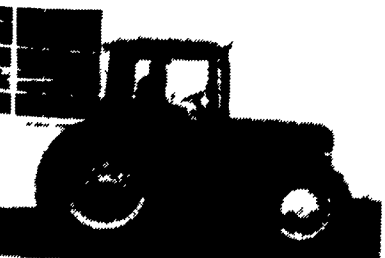
Slick poly repels mud and allows the platform to operate next to the ground for those low, hard-to-cut crops. Get the best harvesting advantage in wet, sticky soil conditions. Replace your worn platform shoes today with new John Deere poly-skid shoes. Complete kits available for John Deere 200 and 900 Series Flex-Platforms. Sizes 13 to 30 feet.

- Predrilled to match skid plates
- Hammer rivets for quick installation
- Unique "close fit" hinge design
- Complete kit includes end skids and wobble box cover



STARTING AT JUST
\$ 350⁰⁰

USED TRACTORS



JD 6400, MFWD, 85 HP, 640 Hrs., Cab, Pwr. Quad.....\$42,500



JD 4455, 140 HP, 2300 Hrs., Cab, Power Shift.....\$48,500



JD 4455, 140 HP, 1160 Hrs., Cab, Power Shift.....\$51,000

WE SHIP DAILY

MISCELLANEOUS USED EQUIPMENT

- Brady 1680 14 Ft. Flail Shredder...\$3,750
- Brillion 15' Flail Shredder.....\$5,750
- JD 300 Husker w/ 2R30.....\$10,500
- Krause 15 Ft. No-Til Drill.....\$10,500
- JD 750, 15 Ft. No-Til Drill.....\$17,500
- JD 8300 21x7 Grain Drill.....\$3,650

USED HAY EQUIPMENT

- CIH 960 Hay Rake, Like New.....\$2,775
- MF 224 Square Baler w/ Chute.....\$5,500
- JD 336 Baler w/ JD 30 Ejector.....\$5,175
- NH 575 Baler w/ Ejector, Like New.....\$12,900
- NH 846 Round Baler.....\$5,500
- MF 925 Mower/conditioner.....\$3,250
- NH 489 Mower/Conditioner.....\$6,950
- NH 495 Mower/Conditioner.....\$4,950
- JD 1219 Mower/Conditioner.....\$6,250

USED FORAGE EQUIPMENT

- JD 3970 Forage Harvester w/Electric Controls.....\$17,500
- JD 3970 Forage Harvester w/Electric Controls.....\$12,500
- JD 3970 Forage Harvester w/Electric Controls.....\$11,000
- JD 3960 Forage Harvester w/Electric Controls.....**SOLD** \$7,500
- JD 5820 SP Forage Harvester.....\$51,500
- NH 30 Forage Blower.....\$2,250
- Gehl 7200 Flail Chopper.....\$1,500



Landis Bros., Inc.

1305 Manheim Pike
Lancaster, PA
717-291-1046

30 Evergreen Rd.
Lebanon, PA
717-228-2650

