

Straw Choppers for JD & other brand combines. 717-249-2317 Days

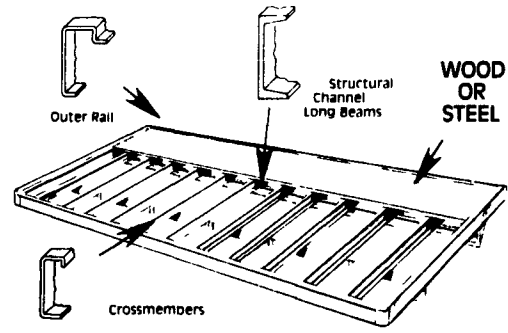
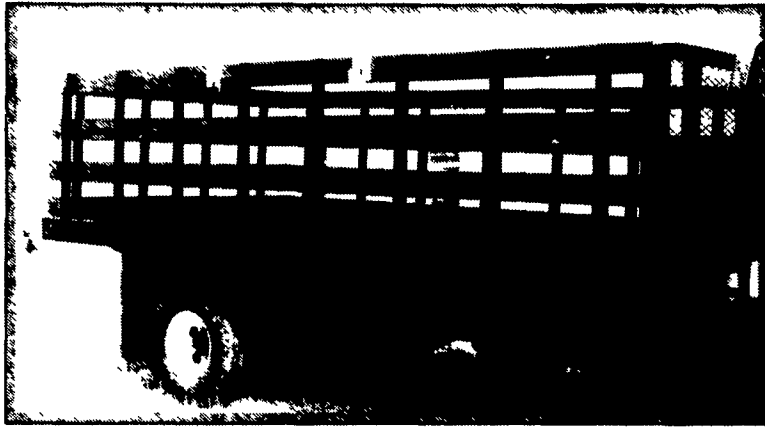
Toro Groundsmaster 72 mowing machine, gas, well maintained, good condition, engine fresh rebuilt. Must sell - moving! \$3,900. (610)287-8934

- White 2-135 Coming In
- IH 966 Black Stripe Coming In
- IH 666D Coming In
- IH 1066 w/Cab Coming In
- IH 966 Bl. Stp. w/Cab
- IH 1066 w/Cab \$9,500
- IH 1466 w/Cab \$9,500
- White FB 37 Like New
- Ford 8N One Owner Farmall M Low Hrs.
- IH 1701 Loader \$850
- IH #8 green chopper \$1,500
- Rhino SE15 Batwing \$4,500
- Woods HD15 Batwing \$4,150
- New Bush Hog 10 1/2' Mower \$5,150
- New Meyers 225 Manure Spreader w/Hyd. End Gate
- 3) NI 323 Pickers From \$1,200
- Wooden Bale Wagon \$875
- 6) Plows
- 11) Discs
- 5) Cultimulchers
- 6) Disc Chisels
- 4) Round Balers
- 5) Square Balers
- 2) Dump Wagon Gears
- 4) Manure Spreaders
- 3) IH 510 Drills

MARSHALL EQUIPMENT
Rt. 85
Beyer, PA
(412) 783-6333

See Binkley & Hurst For A Quality Truck Body In Stock!

STANDARD • ECONOMY AND STRUCTURAL
Scoti CITY STAKE BODIES



In Stock: New 12' Steel Truck Body With Stake Pockets and Bulk Head NE0405 Standard Model

Optional Racks available in Polyboard, Aluminum or Steel Racks

Stop In And See Quality On Display And Ask For Dean For A Good Deal!

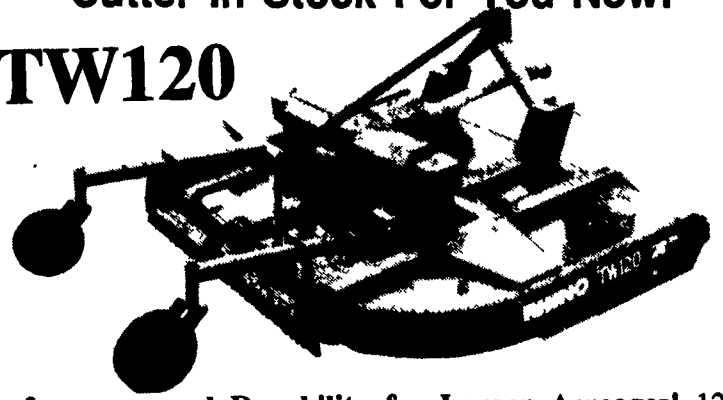
BINKLEY-HURST BROS. INC.
(717) 626-4705

133 Rothsville Station Rd.
Lititz, PA 17453
1-800-487-2978



Binkley & Hurst Has A Quality Rhino Cutter In Stock For You Now!

TW120



Performance and Durability for Larger Acreages! 120" Cut; 120 HP Center Gearbox; 100 HP Outboard Gearboxes; Pan Blade Carriers; Updraft Blades; Cat. 4 Driveline with Slip Clutch Protection; 540 Lift or Pull-Type; 10-Gauge Deck; 1/4"x10" Side Skirts; Replaceable Skid Shoes; Rated for 2" Diameter Material; Safety Deflectors Standard.

Three-Point Hitch Backhoes

Ditchbank Mowers

Rotary Cutters

Flex Wing Cutters

Rear Blades

Flail Mowers

Three-Point Hitch Boom Mowers

Finishing Mowers

Pasture Renovators

Post Hole Diggers



SE15

Economical 15' Flex-Wing Cutter!

15' Cut; 540 RPM; Cat 4 Drivelines; 120HP Center Gearbox; 75 HP Wing Gearboxes; Pan Blade Carriers; Updraft Blades; 6" Blade Overlap; Mechanical Level-Lift Axle; 10 Gauge Deck; 1/4" x 9" Side Skirts; Full Swivel Clevis Hitch; Replaceable Skid Shoes; Wing Operation 70 Degrees Up and 22 Degrees Down; Rated for 1" Diameter Material; Fully-Shielded Drivelines; Safety Deflectors Standard.

Also Purchase a 3 Pt. Snow or Scraper Blade Now While Supply Lasts!

BINKLEY-HURST BROS. INC.
(717) 626-4705

133 Rothsville Station Rd.
Lititz, PA 17453
1-800-487-2978



KINZE

Featuring the 6 row and 8 row hydraulic swing planters with loading width under 12'! A must for the narrow roadways and heavy traffic of this area. CHECK IT OUT!

Also 4 row and 6 row conventional



SUNFLOWER.

V-Rippers Heavy Duty Coupler Chisels, Disc Harrows and Field Finishing Tools.



Degelman

SIGNATURE 6000 hydraulic or PTO drive stone picker from

Degelman. If your land contains stones from the size of softballs to 55 gal. drums, you need this unit on your farm. Diggers available for removal of large rocks.

case IH



The Magnum & Maxxum tractors at their best, hard at work in the field.



MONOSEN

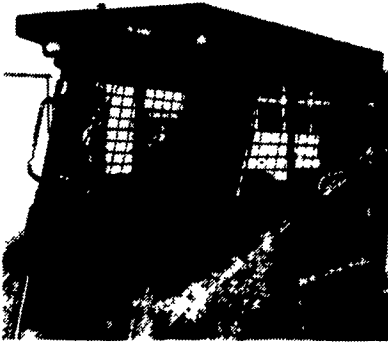
Specialty Precision Planters Come From Binkley & Hurst. * Proven Precision * Dry Fert.

* Heavy Duty 7"x7" Kinze-Built Frames * 2 Row To 12 Row
Unmatched accuracy in the metering & placement of corn, sweet corn, edible beans, squash, melons, cucumber, sunflowers, sorghum & more!

BINKLEY & HURST BROS. Sells Cabs and Cab Enclosure Kits Get Ready For Winter by Seeing Binkley & Hurst Bros. Today!

Case 1835C, 1840, 1845C All Steel Enclosure Unloader

- STANDARD FEATURES:
- Heavy duty pin-hinged door assembly with tinted safety glass
 - Electric wiper
 - Aluminum framed sliding windows
 - Lexan skylight panel
 - Pin-hinged rear window with gas spring
 - Factory matching paint



Vinyl side curtains available as economical alternative.

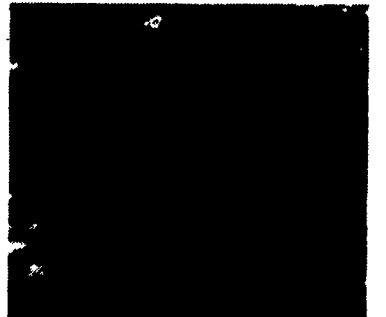


Front door with electric wiper may be purchased separately for all Unloader models

CASE TRACTORS ALL STEEL ROPS CABS for Compact and Utility Tractors



Deluxe Models: 84, 85, 95 Series. Air conditioned model shown



Models: 84, 85, 95 Series

BINKLEY & HURST BROS. INC.

133 Rothsville Station Rd.
Lititz, PA 17453

(717) 626-4705
1-800-487-2978



Extended Parts Dept. Hours:
Mon.-Tues.-Thurs.-Fri. 7:00 AM-8:00 PM
Wed. 7:00-5:00 Sat. 7:00-11:30

Sun. Closed -
Lord's Day

After Hours Emergency Call:
(717) 626-0885 (717) 626-5159