

Straw Choppers for JD & other brand combines. 717-249-2317 Days

Super C Int. tractor, new tires and all rebuilt. (717)827-2750.

Veal calf pen, bucket rings, tie chains, 225 mixing tank, 100G water heater, 20,000G manure tank. (717)745-7122.

TRANSPORT DISC AC 10', \$250. 410-833-9091

Turner Sawmill. (703)777-9563.

DEPENDABLE MOTOR CO.

East Main St., Honey Brook, PA
610/273-3131 or 610-273-3737

NH 311 Baler w/70 Thrower NH 770 Pick-Up Head
Ford 532 Baler NI 206 Ground Drive Spreader
NH 310 Baler NH 770 Harvester
NH 30 Forage Blower NH 275 Baler w/Thrower

New Demco 500 Gallon Sprayer
45' Hyd. Fold Boom, Cyn. Pump,
Elec. Controls
\$7,120

WE REBUILD
489 WOBBLE BOXES

DEALER FOR
Reskamp



Vermeer round balers new and used. Rakes, tedders, hay moving and stacking equipment, round bale wrappers, choppers, wood chippers and film. C.W. Niederhiser Sales, (412)423-4076.

JD 700 flat bottom grinder mixer, hyd., good for hay, chicken litter, or ear corn, same as new
Kuhn 4 stat rake/tedder, 2 gear boxes, 17' real nice
\$2800

JD 336 baler/thrower \$3600

Gehl 175 manure spreader, wind gate, used very little

717-323-0987
Lycoming Co.

TANK FARM

(4) 12,000 gal
(1) 20,000 gal. vertical tanks complete with pumping station, very good condition
\$15,000
410-337-3570 anytime

Not Actual Photo

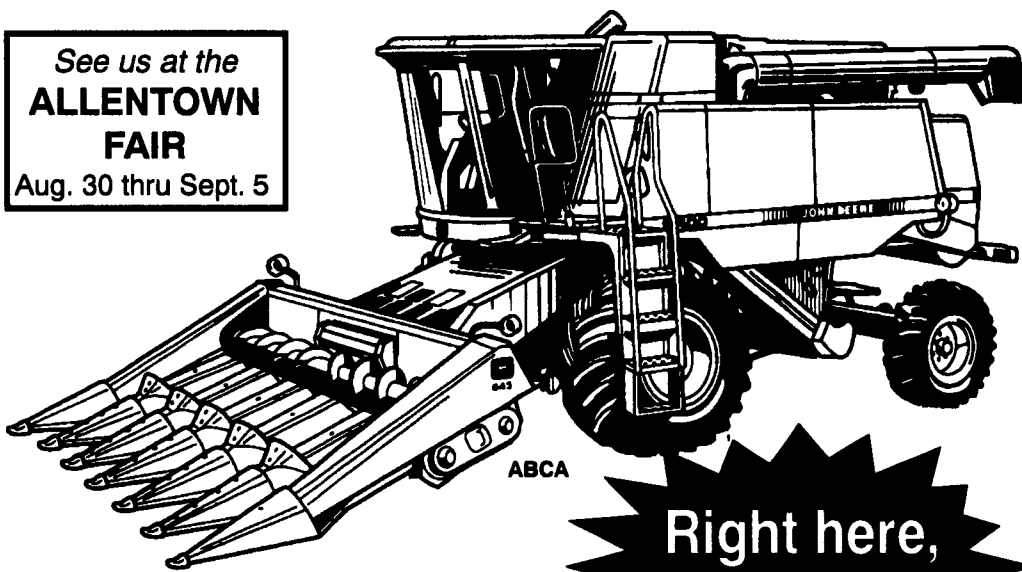
Take Exit 20B
Off Of 83, 5 1/2 MI. West To Belmont Farm.

Log Skidder
Clark 664C w/Winch, Ready To Work, Det. Dsl.
\$7,500
410-833-9091

JOHN DEERE

MAXIMIZE SAVINGS NOW ON A 9400 MAXIMIZER™ COMBINE

See us at the
ALLENTOWN FAIR
Aug. 30 thru Sept. 5



Right here, right now!

- 185-horsepower, 182-bu. grain tank.
- Gentle threshing with a large, slow-moving cylinder.
- Amazing comfort, fast maintenance!
- Stop in today and look it over!

LEADERSHIP AT WORK

PREVIOUSLY-OWNED EQUIPMENT

COMBINES/FORAGE EQUIPMENT

JD 9500 1497 Eng. Hrs., 1091 Sep. Hrs.....	\$73,500
JD 9500 976 Sep. Hrs., 1275 Eng. Hrs.....	\$74,500
JD 9500 1661 Sep. Hrs., 2462 Eng. hrs.....	\$73,500
JD 4400 1978 Diesel, 2800 Hrs.....	\$3,495

COMBINE CORN HEADS/GRAIN PLATFORMS

JD DP Grain Plat 15' Level Land Drive.....	\$499
JD 215 Grain Plat Flex Sidehill Drive.....	\$1,599
JD DP Grain Plat 15' Level Land Drive.....	\$1,249
JD 913 Grain Plat 13' Flex.....	\$7,199



Nothing runs like a Deere

SUMMER SPECIAL

New JD 5830 self-propelled harvester w metal detector \$117,900

TRACTORS

JD 675B skid loader w construction package 391 hours like new	\$16,900
Farmall 1026 hydro WF	\$10,900
IHC 674 Utility gas w 3800 original hours	\$7,450
JD 4020 side console, w roll guard & cab WF complete engine overhaul & new clutch very nice	\$14,900
JD 3155 CAH, 2000 hours very nice	\$34,900
Oliver 1950T 2600 hours, very nice	\$6,750
IHC 986 cab air, 3000 hours 18 4x38, very nice	\$16,900
JD 6200 MFWD w power quad 6 hours w warranty	\$33,900
JD 4430 cab heat, air, quad range excellent	\$17,900
JD 2950 cab, heat, air, very nice 2500 hours	\$24,300
Farmall 806 w WF & fast hitch	\$4,950
JD 2955 MFWD w CHA, 1800 Hrs. Very Nice	\$32,900
JD 2950 MFWD w cab & air, excellent	\$27,900
IHC 966, cab, heat, air, engine & torque rebuilt less than 2 years ago	\$11,500

HAY & FORAGE EQUIPMENT

JD 350 sickle bar mower 7' 3 pt	\$1,750
JD 716A forage wagon w 1275 tandem chassis	\$4,950
JD 100 blower w new warranty	\$3,450
JD 3RN forage head, excellent	\$4,950
JD 3940 harvester w choice of heads	Coming In
Richardton Model 700 dump wagon, 3 years old excellent	\$7,950
JD 5730 SP harvester w metal detector, 2700 hours, w 4RN & 7' grass head, very nice	\$86,900
JD 716A forage wagon w 12 ton McCurdy chassis	\$4,950
H&S forage wagon w chassis 2 years old	\$5,950
NI 484 round baler, excellent	\$6,750
JD 1219 haybine excellent	\$4,350
NH 28 forage blower	\$1,350
NI 486 Round Baler excellent	\$12,000 \$8,250
NH 38 Flat Chopper	\$2,950

COMBINES & HEADS

JD 443 corn head, excellent	\$3,950
JD 443 corn head, low tin	\$6,450
JD 6620 side hill 1980 model hydro	Coming In
JD 216 rigid platform black reel for side hill	\$4,350
JD 215 flex head black reel for side hill	\$5,350
JD 213 flex black reel very nice	\$4,850
Gleaner F combine w 13' grain platform	\$5,450
JD 444 corn head, very nice	\$3,950
JD 4440 dsl 1975 model 2965 hrs, rotary screen, cab, heat & air nice	\$9,750
JD 4400 dsl 1974 model 2968 hrs, cab, heat & air good	\$8,250
JD 4400 gas 1972 model 2618 hrs, cab & heat	\$6,950
JD 6600 dsl 1976 model 2901 hrs, cab, heat & air, rotary screen, very nice	\$14,900

TILLAGE

JD 1600 chisel plow, 12 tooth w gauge wheels	\$1,950
JD 210 disc, 12 10 nice	\$2,750
Brillion 9 shank 11' mulch tiller w coulters	\$5,450
White 21' Wing Fold Field Cult Spike Attach	\$2,450

PLANTING

JD 7000 4R dry fertilizer w markers & insecticide	\$4,950
JD 7000 6R liquid planter w markers unit mount no till	\$5,950
IHC 510 drill 10' w fert & grass seed	\$2,850
MF 33 drill	\$900
JD 8300 drill soybean special	\$2,750
JD 450 drill w grass seed 17x7 5 w double discs & press wheels like new	\$6,950

MISCELLANEOUS

Moore no till drill 10	\$5,450
Yetter no till markers for JD 750 no till drill	\$900
NH 680 tandem manure spreader	\$2,150
JD 265 loader w mounts for RC & utility	\$5,950
JD 534 bulldozer blade 8' excellent	\$3,450

LEHIGH AG EQUIPMENT, INC.

6670 Ruppssville Road Allentown, PA 18106

215-398-2553

Hours: Mon - Fri 7:30 to 5:30 Saturday 7:30 to 4:30
We Ship Fast, Same Day To Your Farm



WINELAND EQUIP. INC.

RD 2 Box 164 E. 1
Martinsburg, PA 16662
Phone 717-261-2100