

8 CATTLE

WANTED from farm, 5 Holstein heifers due Nov & Oct Leon Ebersole, 717/768-3652

WANTED Heifers to pasture & feed, \$1/day/head Honey Brook area 610/273-7540.

WANTED Open Holstein Heifers 717-687-6698

Buffalo Calves (717) 222-9815

BUY DOWN & INJURED CATTLE
100 Mile Radius Of Harrisburg, Pa. Prompt Payment - Top Price Paid
JOHN JONES
717-249-7685 Res.
717-432-4225 Shop

Need Help? Why Not Let The HOLSTEIN ASSOCIATION
Help find Bred Heifers, Cows, Whole Herds.
Herd 100 will sell 50 Head
Herd 95 pick 80 Head
Also Other Herds Available
Clarence Stauffer 717-738-2406
Thomas Dum Jr. 717-582-8519
800/952-5200

LOOKING FOR A HERD?
We have partur and tie stall herds for sale. We move herds from farm to farm with experienced help and our own trucks so that you the buyer have disease-free cattle. We buy the best and let the rest. Financing for qualified buyers in Lanc. Co.
FOR A HERD WITH QUALITY, call Marvin Miller or Ron Bard (717) 786-1146

TOP PRICES FOR ALL TYPES OF BEEF CATTLE
CULL COWS, BULLS, STEERS, also Down or Crippled Cattle
MULVANEY LIVESTOCK SERVICES
Tom Mulvaney, Easton, PA 610-258-1670
1-800-789-COWS (2697)
IN PA - BERKS, Lehigh & Schuylkill Counties and parts of Lancaster and Chester Counties
IN NJ - Warren, Sussex and Hunterdon Counties
★ All Cattle Paid on Hanging Dressed Weight ★

GERLACH SIMMENTALS
Mt. Joy, PA
717/898-9723
Cows, Bulls & Heifers

Dairy Cows & Heifers Bought & Sold Freddie S. Smith 703/639-2262
After 8 PM
703/382-0570

Zimmerman's Custom Freezing
Bulls Collected On Your Farm Complete Mobile Unit
P.O. Box 43
New Holland, PA 17557
1-800-472-2641

DAIRY DISPERSAL
120 HOSLSTEIN COWS & HEIFERS
VIRGINIA MILK BASE
AUCTION - AUGUST 3rd
Wednesday - 10:30 a.m.
J.A. GILLIAM & SON
SPRING VALLEY FARM - Pamplin, Va.
(Between Farmville & Appomattox)
72-Cow Milking Herd
Rolling Herd Average
16,878m 3.9% 658f 3.3% 562p
21 First & Second Lactation
18 Due Aug-Sept-Oct
97% Sire Identified Including:
Calypso, Reagan, Oakmulgee,
Casper, Payday, Ivan, Bell, Rise,
Mandingo, Brass, Mars
Using Top Select Sires Bulls
Glamour Bell, Marksman, Extra,
Rambo, Dixie, Bert, Ferdinand, Echo
48 OPEN HEIFERS
28 Breeding Age
- Also Selling -
VIRGINIA MILK BASE
72,483 (winter) 67,409 (summer)
For Brochure Contact
804-644-LAND VA A.F. 86
OWNBY AUCTION & REALTY
1417 Brook Rd. RICHMOND VIRGINIA 23220

Diamond DL Cattle
Kempton, PA
Reg. Angus Bulls & Heifers
Quality cattle bred for the commercial cattleman.
Top bloodlines, ready to work
GUARANTEED BREEDERS
for more info. contact:
Darron Smith
610/756-6001
or 756-3516
6 mi. north of I-78, exit 11, on Rt. 143

Kiln Dried
WOOD SHAVINGS and SAWDUST
• Great for dairy or horses
• Delivered in trailer load lots
• Year round supply
• Reasonably priced
717-653-5935
J.D. Martin Inc.
Mount Joy, PA

Registered Highland Cattle
◆ Discover the breed that still retains special traits acquired from its ancestors of Scotland.
◆ Great foragers, clearing most pest plants common to poor pastures
◆ Thrive in cold, damp climates
◆ Produce excellent lean beef in adverse conditions where other cattle would fail
◆ Docile and Hearty
◆ Calve easily due to small birth weights—something of interest to dairy people for servicing first-calf heifers
◆ Brucellosis, TB, BVD free herd and inoculated against rabies
Come visit our farm and meet your future herd! Transportation Available
Breed Information Available Upon Request
Day Dream Acres (908) 303-0798

LLAMAS FOR SALE

(610) 868-0186

9 HORSES & MULES

1½ year old mule, will turn gray, should mature to 16H, \$700 or offer. (717)665-6263
1990 Storm Front Carriage, good condition 717/656-0054 call 7am
2 draft horses mare, gelding, 16-17H. (202)337-7906, Cider Mill Farm, Elkridge, MD
3 year old reg Belgian stallion, white marking, good broke to work, was used on mares David L Stoltzfus, 3109 Irishtown Rd., Gordonville, PA 17529-9534.
4 Year Old Saddlebred, top driver, ready for miles, \$2500, 5 year old black Standardbred, solid trotter, big strong carriage horse, \$2100, 6 year old Bay trotter, good driver, ready to go, \$1500, 4 year old Bay w/white markings, \$2300, Benj K. Stoltzfus, 720 Georgetown Rd., 717/687-0977
AMHA miniature horses, 32½" chestnut mare bred to 31½" stallion Asking \$5,000 After 7.30pm, (610)758-6198.
American Saddlebred, 9 year gelding, liver/chestnut w/four white socks and blaze, traffic safe and sound, good hooker, \$3,000 firm. (610)754-6298
Amish Courting Buggy w/ Foot Brake, Like New, \$2000 (610)367-6446
Appaloosa pony brood mare, 12 3H, gray w/nice spotted filly. Filly's Fire is by a 15 2H Quarter Horse. \$700 or offer. (717)665-6263.
Brown & White Mule, 1 year old mare, nice. 717/244-4706
Gooseneck horse trailer, 91 Sundowner, 2-horse straight load w/dressing room, like new, \$6500. 610/754-9304
Gray Percheron 10 year gelding, will work anywhere, traffic safe, single/double either side of pole, or in-carriage, also rides the best, \$2,500 firm. (610)754-6298
Market Wagon, fair condition, \$850 610/273-7540.
MILL RUN BUGGY SHOP
Restoring and manufacturing carts, carriages, coaches to your specifications (215)273-9665, RD#2, Box 7J, Mill Rd., Honey Brook, PA 19344
Registered DocBar bred quarter horses for cutting or team penning. Jo-Lar Ranch, (301)698-0954
Registered Golden Palomino mare, 6yrs, 15H, no vices, English, Western, \$2,500 OBO (717)665-5877
Reg miniature horses, AMHA, AMHR, APESA, \$500 and up 814-643-2806
Reg quarter horse bucks-kin mare, good novice horse, no vices. 717-837-1814
Miniature and small pony carts, harness, miniature horses 717/442-9248 leave message

AMHA miniature horses, 32½" chestnut mare bred to 31½" stallion Asking \$5,000 After 7.30pm, (610)758-6198.

American Saddlebred, 9 year gelding, liver/chestnut w/four white socks and blaze, traffic safe and sound, good hooker, \$3,000 firm. (610)754-6298

Amish Courting Buggy w/ Foot Brake, Like New, \$2000 (610)367-6446

Appaloosa pony brood mare, 12 3H, gray w/nice spotted filly. Filly's Fire is by a 15 2H Quarter Horse. \$700 or offer. (717)665-6263.

Brown & White Mule, 1 year old mare, nice. 717/244-4706

Gooseneck horse trailer, 91 Sundowner, 2-horse straight load w/dressing room, like new, \$6500. 610/754-9304

Gray Percheron 10 year gelding, will work anywhere, traffic safe, single/double either side of pole, or in-carriage, also rides the best, \$2,500 firm. (610)754-6298

Market Wagon, fair condition, \$850 610/273-7540.

MILL RUN BUGGY SHOP
Restoring and manufacturing carts, carriages, coaches to your specifications (215)273-9665, RD#2, Box 7J, Mill Rd., Honey Brook, PA 19344

Registered DocBar bred quarter horses for cutting or team penning. Jo-Lar Ranch, (301)698-0954

Registered Golden Palomino mare, 6yrs, 15H, no vices, English, Western, \$2,500 OBO (717)665-5877

Reg miniature horses, AMHA, AMHR, APESA, \$500 and up 814-643-2806

Reg quarter horse bucks-kin mare, good novice horse, no vices. 717-837-1814

Miniature and small pony carts, harness, miniature horses 717/442-9248 leave message

8a EXOTIC ANIMALS

1 Mature Breeder Pair Australian Black Swans \$750 00 Call (717)733-7074 After 5 PM

African Pigmy Hedgehog Pairs Salt & Pepper Weanling Pairs \$550, Pet Care Package Included. (717)677-6721

Assorted Pygmy and Pygmy cross goats Various ages & colors 717/966-1269

Baby Pot-Bellied Pigs, black w/white markings, friendly, \$200-\$300. 610/845-3657

9 HORSES & MULES

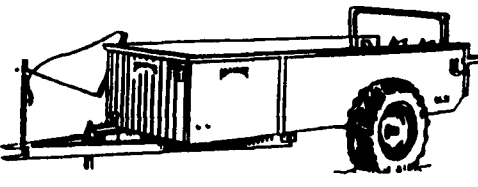
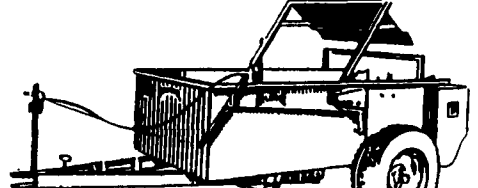
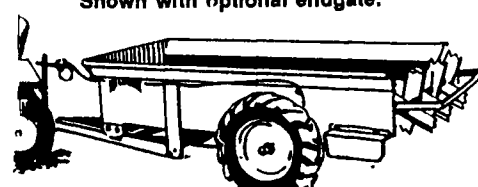
BIG DRAFT MULES
• Pr. 17-2 Hand, 3 & 4 yr old • Ready for Work or Rides
Mules On Hand Year-Round
PAUL SMUCKER (800) 770-3721 (717) 299-3721

Miniature horses, chestnut, filly, 31", 5 months, AMHR, \$950; Yearling colt, black, 27". AMHA, \$850 negotiable 201-398-7954.
Red Jack, 8 years old \$200; Chocolate Jill, 20 months old, \$450, Scilla Jack, 1 year old, \$350. All people friendly 717-528-4505 York Springs, PA

CHEROKEE TRAILERS
"Mfg of All Aluminum Trailers"
Horse•Cargo•Livestock•Car Haulers
RUNNING M STOCK CO.
Horses•Equipment•Supplies•Tack
458 Kleman Rd. (610)327-4868
Gilbertsville, PA 19525 (610)754-7211
Fax 610/754-9859

TENNESSEE BROKE MULES
1 Load from Roy Epperson - Mules ready to go to work
Broke riding mules available.
HENRY E. KAUFFMAN
205 Bell Road
Christiana, PA 17509 (Near 9 points)
717-529-2614
Frank Weldman - Leave Message

Horseshoeing
Pathological and Therapeutic shoeing of
Lame Buggy Horses is my Specialty.
All Shoeing of other Equestrian Disciplines and Handmade shoes Available.
Licenced Racetrack Farrier of Both TB, Arabians and Harness.
Flat Rate \$50 and Up
Trims \$20
Linda Marie Muggelworth
BLACKSMITH
(302) 475-8225

Affordable Manure Spreaders

MODEL 75, 62 cubic ft. capacity.
Operates behind 18-hp tractor.

MODEL 50, 44 cubic ft. capacity.
Shown with optional endgate.

MODEL 25, 28 cubic ft. capacity
Fits through 4-foot doors.
Hundreds of small farm operators are using an affordable Millcreek spreader to solve their manure disposal problems.
Why pay for a big spreader when a small one will do?
You have a choice of 4 sizes!
Ground drive & PTO models available
MILLCREEK Manufacturing Co.
2617 Stumptown Rd., Dept. LF
Bird-In-Hand, PA 17505
(717) 656-3050