



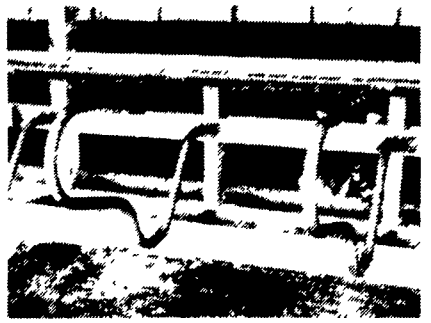
POWDER-COATED STEEL BARN EQUIPMENT

STOP AND SEE US AT THE ANIMAL HOUSING EXPO
 July 12 & 13 - Lebanon Fairgrounds

LOOP STALLS

All Loop Stalls Are Coated With Baked On Top Grade Polyester TGIC Powder Coating After Fabrication

- Super Tough Finish
- Protection From Rust & Corrosion
- Superior Electrical Insulation
- Chip Resistant
- Resists Acid & Chemicals
- Smoother Finish Stays Cleaner



FREEDOM STALLS FEATURING

- Greater cow comfort in shorter stall beds
- Provides additional side head room in the lounge process



CONVENTIONAL STALLS

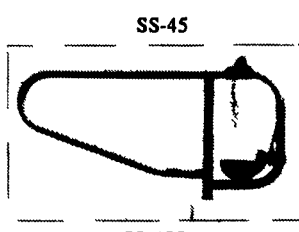
Loop Stalls Are Constructed Of:

- 2 3/8" Outside Diameter High Yield Steel Tubing With A 12 Ga. (.108) Wall
- Spray Arc Transfer Method Used On Welds

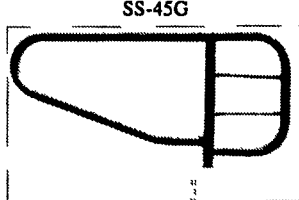
SUSPENDED COMFORT STALLS

For Modern Tie Barns

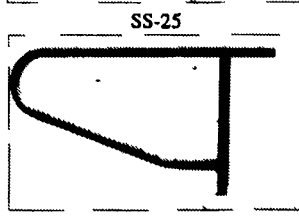
Coated With Baked-On Top-Grade TGIC Polyester Urethane Powder After Fabrication



SS-45



SS-45G



SS-25

- All welded construction to give many years of trouble-free service
- Stall constructed with 1.9 O.C., .133 wall, high strength tube and 2" square tube post with 1/4" wall

CHECK THESE ADVANTAGES OF SUSPENDED COMFORT STALLS

- More comfort for cows
- Easy cleaning, bedding & milking with no rear stall post
- No rust problem
- Adjustable tie rail
- Trough dividers
- Less trampled teat problems than with conventional stalls

GATES AND FENCING

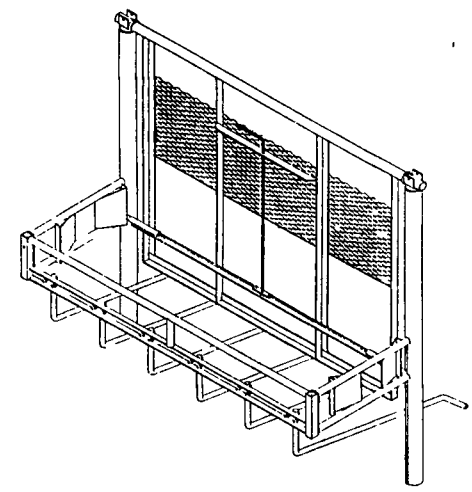


All Gates & Fencing Made Of 1.9" Outside Diameter High Yield Steel Tubing With 13 Ga. Wall

MANURE PUSH OFF GUARD

For Tractor and Cattle

Available In 8' And 10'



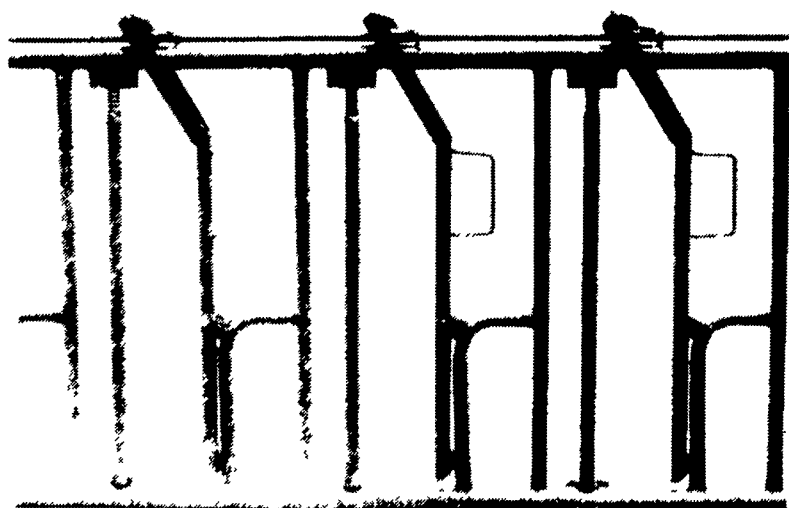
F-80 WATER BOWL

Featuring

- Solid one-piece cast-iron bowl
- Coated with Baked-On Top-Grade Polyester TGIC Powder
 - Smoother finish stays cleaner
 - More durable than paint
- Stainless steel nose pan
- Improved brass valve assembly
 - Softer washer for better seal
 - Lighter spring for less required pressure
 - Approx. 1.3 gpm at 40 psi
- Plastic plug and smaller water chamber for frost protection
- 3/4" top and bottom water inlets
- Screen on valve for water filtration
- Chip resistant

HEADLOCKS

THREE SIZES AVAILABLE TO MEET ALL YOUR CATTLE HANDLING NEEDS



EXTRA HEAVY CONSTRUCTION

PAUL B. ZIMMERMAN, INC.
 Manufacturers - Distributors
 295 Woodcorner Rd., Lititz, PA 17543 PH: 717-738-7365

