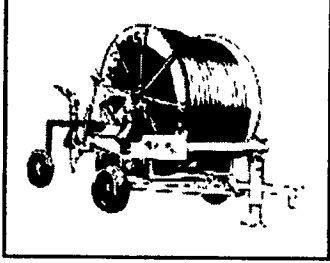


1 FARM EQUIPMENT

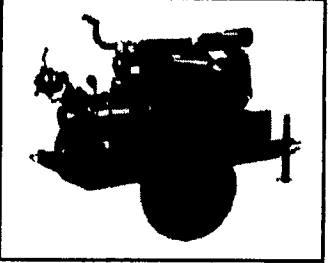
WATSON

IRRIGATION

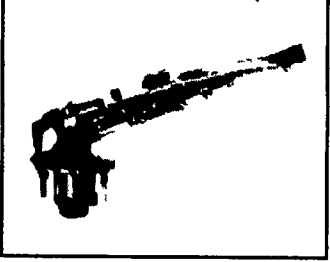
YOUR COMPLETE SOURCE FOR IRRIGATION EQUIPMENT



TRAVELERS



PUMPS

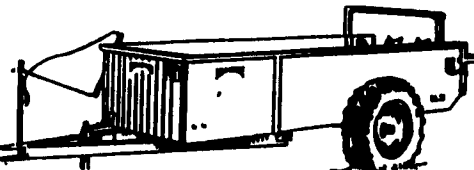


SPRINKLERS

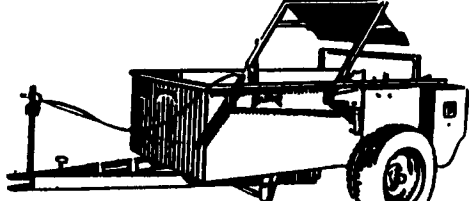
Some Items We Carry:
PUMPS: Gorman-Rupp - Caprari - Berkeley - Hale
SPRINKLERS: Nelson - Rainbird - Hunter
TRAVELERS: Hobbs - Kifco
PIPE: Aluminum Pipe - PVC Pipe - Fittings - Risers - 1000's of Gaskets

5301 E. Trindle Rd., Mechanicsburg, PA 17055 (717) 796-1630
Toll Free 800-999-1630

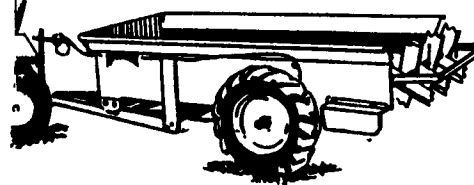
Affordable Manure Spreaders



MODEL 75, 62 cubic ft. capacity.
Operates behind 18-hp tractor.



MODEL 50, 44 cubic ft. capacity.
Shown with optional endgate.



MODEL 25, 28 cubic ft. capacity
Fits through 4-foot doors.

Hundreds of small farm operators are using an affordable Millcreek spreader to solve their manure disposal problems.

Why pay for a big spreader when a small one will do?


You have a choice of 4 sizes!
Ground drive & PTO models available

MILLCREEK

Manufacturing Co.
2817 Stumptown Rd., Dept. LF
Bird-In-Hand, PA 17505
(717) 656-3050


Liquid Manure Pumps Portable & Stationary

ZIMMERMAN HEAVY DUTY HAY TEDDER - 790 SERIES



7 Ft. & 9 Ft. Available


- IH 856 Tractor w/Loader.....\$10,500
- IH 856 tractor.....\$6,900
- IH 966 Tractor, New Tires, new TA, Nice.....\$9,800
- IH 1066 Tractor, Cab, Bad TA.....\$8,500
- IH 966 Tractor, Bad TA.....\$7,000
- MF 1130 Tractor, 500 Hrs. on Major Rebuild.....\$6,900
- Deutz 100-06 Tractor.....\$6,400
- JD 3800 Harvester, Base Unit.....\$2,900
- Gehl 1200 Harvester, Base Unit.....\$4,000
- AC D-19 Tractor w/Side Pulley.....\$3,500
- NH 565 Baler w/Engine, 2 yrs. old.....\$7,900
- NH 489 Haybine.....\$3,900
- NH 456 Mower.....\$1,650
- JD 2 RW corn head.....\$350
- JD 5 1/2' Pickup Head.....\$400



MILLER'S REPAIR
1 Mile North of Bird in Hand
8 Miles East of Lancaster
Ph. 717-656-6109


FULL LINE OF FORD NEW HOLLAND EQUIP.

FORD COMPACT DIESELS



All Models In Stock!


FORD NEW HOLLAND BALERS




All Models In Stock!

**Leasing and Financing Available
On All Models of Ford New Holland Equip.**

**NEW HOLLAND
SKID STEER LOADERS**





**FORD INDUSTRIAL
TRACTOR/LOADERS**



S.G. LEWIS & SONS, INC.

N. Jennersville Rd.,
West Grove, PA 19390
(610) 869-2214
(610) 869-9440





Best Buys in Used Equipment

USED EQUIPMENT

Farmall 300, gas w/fast hitch 500 gallon tow type sprayer, 26' boom, roller pump 6 ton running gear 7' pull type NI sickle bar mower (1) NH 489 mower conditioner Brillion 16' transport harrow JD 2 row corn head Woods M5 Dixie 5' rotary cutter	Taylor-Way 3 pt. chisel plow, 10' IH 183 4 row cultivator NH 68 baler w/50 thrower, good condition Glenco 12' pull-type field cultivator Arps AB250 8' 3 pt. landscape rake 5' pull type grooming mower, \$375 IH 456 4R Cornplanter, dry fertilizer w/insecticide
---	--

Unverferth gravity boxes in stock

We Ship Parts UPS Daily

BANGOR IMPLEMENT

6 Flicksville Rd., Bangor, PA 18013
215-588-5922 or 215-588-5924




- 77 Ford F250 4x4 pickup w/John Blue 400 gal. sprayer w/foam marker
- Farmall F20
- Various sizes used tires & rims
- IH 1456 new rubber, TA, 3 pt hitch, rebuilt motor
- Farmall 400
- New IH fertilizer attachments for IH 6R 800 planter
- IH 5100 Soybean special, 18x7"

• Parts: MTA D, 560, T6
Crawler, 460, 450D, H


John Thompson
302/492-1186
or 302/492-3287

FINISH MOWER
3Pt. Caroni



4'	\$1115
5'	\$1185
6'	\$1465
7'	\$1755

Galfre Hay Tedder



C-250 3 Pt. 8'2"	\$1440
GTS-280 Pull 9'	\$1,325
GTS-420 Pull 13'6"	\$2,560
GTS-520 Pull 17'	\$3,215

ROTARY CUTTERS
Light duty



4'	\$499
5'	\$535
6'	\$725


Other Sizes Available

CAR DOLLIES



96" 3500#
Complete With Straps
\$795 Each

MANURE SPREADER



25 ground drive	\$945
50 ground drive	\$1898
75 ground drive	\$2100

Dump Trailers



6x10 7000	\$2,995
6x10 10,000	\$3,400
6x12 10,000	\$4,500

Ringo Hill Farms Equipment Co., Inc.

1624 Route 212 • Quakertown, Pa. 18951
Phone: (610) 346-7340 Fax: (610) 346-8041