

You Ask ? ? ? ? ? ? You Answer

In response to readers' questions, this column is for readers who have questions but don't know who to ask for the answers. In the past, many readers sent non-cooking requests to Cook's Question Corner, a cooking column on page B 8.

"You Ask — You Answer" is for non-cooking questions. The concept is the same: When a reader sends in a question, it will be printed in the paper. Readers who know the answer are asked to respond by mailing the answer, which will then be printed in the paper.

Questions and answers to this column should be addressed to You Ask — You Answer, Lou Ann Good, P.O. Box 609, Ephrata, PA 17522.

QUESTION — A. Nolt of New Holland would like to know the words to the complete poem that was recited in the 1920s when her father-in-law went to school. The poem contains these lines. The carpenter's house is falling down. The preacher's kids are the worse in town.... Since this request appeared, Theresa Litecky, Eastampton, N.J., and several others have written to say they remember parts of this poem and can hardly wait to see the complete poem. Any readers who remember the complete poem, please send it immediately.

QUESTION — Marie Lorah, Box 299 R.D. 3, Tamaqua, Pa. 18252, is looking for water glasses with pictures of owls on them

QUESTION — Romaine B. Answell, Sumerdale, would like to know who manufactured the Webalco electric skillet.

QUESTION — A reader would like to know how to keep bees away when holding outdoor picnics.

QUESTION — Barbara Davis, Sewell, N.J., would like to know where to purchase the old Parker Brothers card game called "Touring."

QUESTION — Dawn Leshar, Pitman, would like to know how to discourage birds from building nests in hanging basket plants

QUESTION — Beverly Budnick, Cureville, Md., asks for an explanation of the saying: A needle shall not pierce fabric on Ascension Day

QUESTION — Donald Gayman, Chambersburg, has an Equi-Flow Dehydrator with plastic trays. Food items are sticking, especially pears and tomatoes. Any suggestions as to what she can do to make the dried food fall easily from the trays after the food is dried? Also, does anyone have a new address for the company?

QUESTION — A York County reader would like to know how to clean aluminum storm doors or enclosures that are becoming pitted.

ANSWER — Judi Spurling of Limerick wanted to know where to purchase a sturdy quality bent willow or twig settee for use in an outside country flower garden. Thanks to Jackie Dilworth, Oxford, who said it can be purchased through the catalogue, Gardeners Eden, P.O. Box 7307, San Francisco, CA 94120-7307.

ANSWER — G. Depew, Mifflintown, wanted to know where to buy signs to erect along the highway to alert motorists of tractors and farm machinery crossing the highway. Thanks to Jay King, Pine Grove, who writes that the signs can be purchased from Gempler's, P.O. Box 270, 211 Blue Mounds Rd., Mt. Horeb, WI 53572.

ANSWER — Marie Loy of Pine Grove wanted to know how to keep rabbits from eating garden plants. Also, voles have eaten all the tulip bulbs in her garden. Thanks to Jackie Dilworth, Oxford, who writes that thorny pieces of rose or raspberry prunings should be placed over young shoots and around plants. Rabbits do not like to step on these clippings and will forage elsewhere. Another reader asks the barber for hair clippings to place in the garden. Rabbits avoid areas where human hair is placed according to several people. To keep tulips or other bulbs from moles and voles, plant bulbs in wire cages in the ground.

Farm Women Societies

York Society 11

The Youth Society of Farm Women Group No. 11 met at the home of Naomi Bupp with 18 members and two visitors present.

The meeting opened with scripture, prayer and singing. The roll call response was — "What did you plant first in your garden?"

The secretary reported that 10 members attended Spring Rally and asked for comments. All reported it was a very good day and the program was excellent and enjoyable.

Committee reports were given. Members will entertain Group #2 on June 21 at the Hametown Church social room. Members will be entertained on June 14 at

the Lutheran Church Social Room at Roundtown.

The youth program was presented by Elizabeth Newlin, a 4-H goat club member from East Berlin. The family raise seven kinds of goats on their farm and sells bottled goat milk. She explained the value of raising and tending goats and shared a cup of goat milk with our members. Her grandmother Shirley Christman was a guest also.

The society accepted two new members into the society. They are Barbara Groth and Edith Delp.

The hostess served refreshments including cheese pie with fresh strawberries.



Elizabeth Hollenbach gives the welcome to Barbara Groth and Edith Delp at the FFA Conservation Field Day. The hostess who gave the refreshments.

GOOD DEALS

from Good Dealers

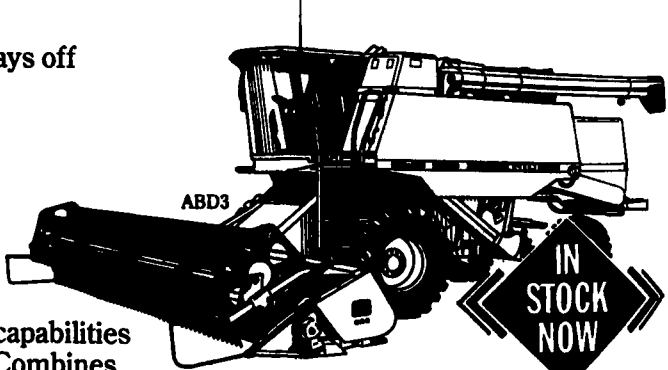
SEE ONE OF THESE DEALERS FOR A DEMONSTRATION:

ADAMSTOWN EQUIPMENT INC. Mohnton, PA (near Adamstown) 717-484-4391	CARROLL'S EQUIPMENT Route 235 Dameron, MD 301-872-5553	DEERFIELD AG & TURF CENTER, INC. Watsontown, PA 717-538-3557	ENFIELD EQUIPMENT, INC. Oxford, PA	FINCH SERVICES-HANOVER INC. Hanover, PA 717-632-2345	GUTSHALL'S INC. Loyersville, PA 717-231-2313
BARTON SUPPLY, INC. Tunkhannock, PA 717-838-4011	CLUGSTON FARM EQUIPMENT Needmore, PA 717-573-2215	DUNKLE & GRIEB INC. Centre Hall, PA 814-384-1421	ENFIELD EQUIPMENT INC. Whiteford, MD 301-452-5252	A.B.C. GROFF, INC. New Holland, PA 717-354-4191	MIT K. ER INC. Highway PA 717-201-1011
CARLYLE & MARTIN, INC. Hagerstown, MD 301-733-1873	CLUGSTON AG & TURF, INC. Chambersburg, PA 717-263-4103	DUNKLE & GRIEB INC. Mill Hill, PA 717-726-3115		GUTSHALL'S INC. RD #2 Box 74-A Loyersville, PA	PROS. INC. PA 717-1046

JOHN DEERE

THE 9500 COMBINE: KING OF THE SIDEHILL

- Automatic leveling system pays off fast with less grain loss.
- Level grain tank reduces unloading stops.
- 235-hp machine with all the capabilities of John Deere Maximizer™ Combines.
- Keeps cab level for increased operator comfort.



GOOD DEALS... AND A GOOD DEAL MORE

LEADERSHIP AT WORK

MILK AMERICA'S HEALTH KICK

