

JUNE DAIRY MONTH USED EQUIPMENT SALE

SILO UNLOADERS

- 16' Jamesway VI Unloader
- 16' Jamesway VIII Unloader
- 20' Jamesway VII Unloader
- 20' Silomatic Unloader

BARN CLEANERS

- Jamesway Drive Unit w/140' Chain
- Jamesway Drive Unit w/185' Chain
- Farmway Drive Unit

FEED MIXERS

- 115 Oswalt Stationary Mixer
- 180 Oswalt Stationary Mixer
- 120 Jamesway Polygon Mixer
- 230 Oswalt Trailer Mixer

SCALE SYSTEMS

- 40,000lbs Scale System
- 6,000lbs Animal Scale System

FEEDERS & CONVEYORS

- 50' Jamesway Feeder
- 35' Jamesway Conveyor

MANURE EQUIPMENT

- 3300 Gal. N-Teck Tanker
- 3200 Gal. Badger Tanker
- 28' N-Teck Lagoon Pump
- 8' Jamesway Pit Pump

MISC EQUIPMENT

- Richie Energy Free Waterer's



LAPP'S BARN EQUIPMENT

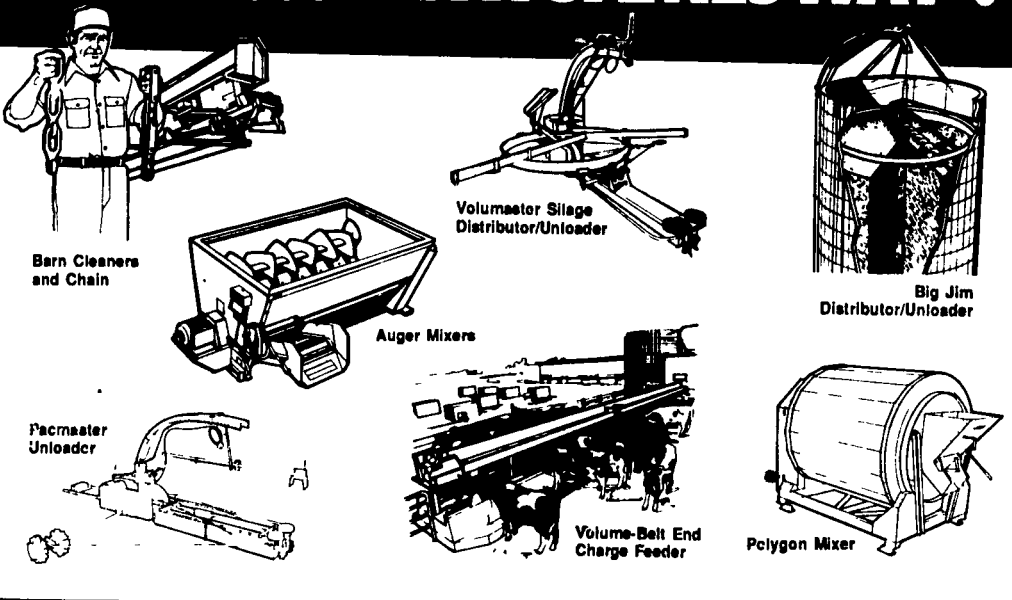
5935 OLD PHILADELPHIA PIKE, GAP, PA 17527

PHONE: 717-442-8134

SALES & SERVICE



UNLOAD IT, FEED IT, MOVE IT MIX IT...WITH JAMESWAY!



Barn Cleaners and Chain

Volumeter Silage Distributor/Unloader

Big Jim Distributor/Unloader

Auger Mixers

Facmaster Unloader

Volume-Belt End Charge Feeder

Polygon Mixer

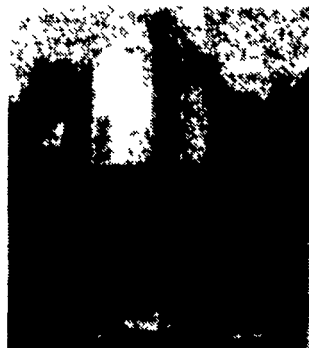


Suspended Comfort Stalls



- Also: Automatic Headgates
- Hay Feeders • Water Bowls
- Gates & Fencing And More

Imperial BULK FEED BINS



The Ultimate In Agricultural Feed Bins in a wide variety of sizes. All with a 10 year warranty.

IN STOCK: Barn Tile & Cow Mats
Call Us For Silo Prices



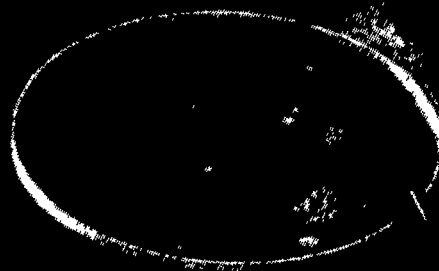
ROVENDALE AG & BARN EQUIP.

Watertown, PA 17256
717-538-9561 or 717-712-1226



Sollenberger Silos Corp.

Sollenberger Silos Corp.
Quality Concrete Structures
Since Before 1910
Manure Management Systems
To Meet Your Needs!!!



Poured In Place Concrete Tanks
SCS Approved
6', 8', 10', 12', 14', 16' Depths
Thru 140' Diameter

Even And Uneven Backfill Designs
Commercial Chain Link Fence



Sollenberger Silos Corp.

A Nitterhouse Company
Box N Chambersburg, PA 17201

(717) 264-9588

Poured Concrete Silos Since 1908

Office Number - 717-264-9588

For Upright Silos Call For Bunker Silos & Manure Systems
Bob Francis 717-532-6848 — Evenings — Tabb Justus 717-762-8663

Sollenberger Silos Corp. - Box N, Chambersburg, PA 17201

Name _____

Address _____

City/State/Zip _____

Phone _____ County _____

- Please Send Info. On:
- 1. Manure Pits
 - 2. Bottom Unloading Silos
 - 3. Top Unloading Silos
 - 4. Precast Bunker Silos
 - 5. Feed Bunks
 - 6. Cattleguards
 - 7. Industrial

"IT IS TIME TO ONCE AGAIN GET SERIOUS ABOUT STORING YOUR VALUABLE FEEDS!!!"

The recent "innovations" and temporary methods of storing your grains and forages are just not protecting your feeds like they should, nor are they really efficient.

Research and practical experience has shown that "the tower silo has never been equalled in its ability to protect your forage quality." And remember... on most dairy farms, forage quality is the single most important factor affecting profit."

Contact us soon to be sure you get on our schedule to have your poured concrete tower silo constructed in time!

No used silos!
No rebuilt silos!
No-pre-owned silos!
All New For You!

MEMBER: International Silo Association
PA Forage and Grazeland Council
AM Society of Agricultural Engineers

"This is the kind of silo you need to protect your valuable feed."

ASK ABOUT OUR FLEXIBLE FINANCING!

- SMALL DOWN PAYMENT
- WE BUILD IN JUNE OR JULY.
- YOU PAY LATER WITH NO INTEREST.



Sollenberger Silos Corp.

