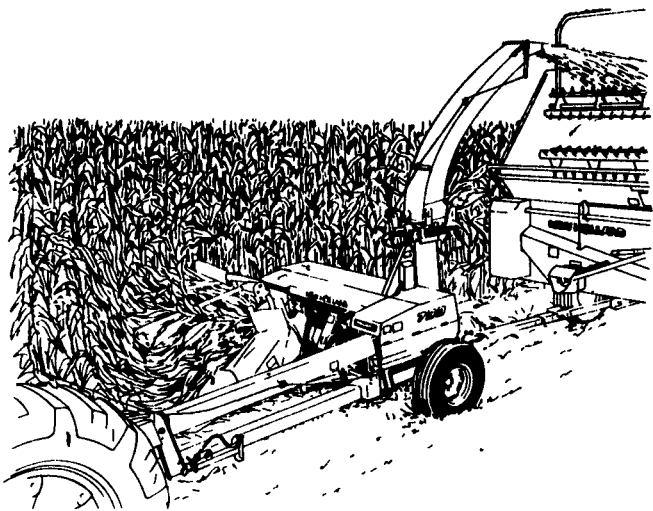


# MODEL 790

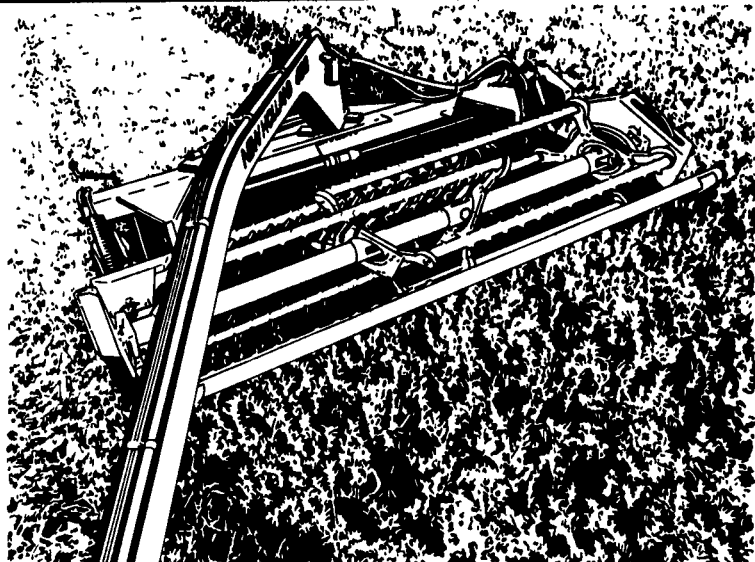


## HIGH PERFORMANCE LOW HASSLES

The high performance of the Model 790 forage harvester starts with the massive 12-knife cutter-head. It delivers a fine, uniform chop for high quality feed. The "790" is built tough to keep chopping season after season. And routine maintenance is easy to keep hassles to a minimum. Stop in and see for yourself.



499



## CAPACITY AND CONVENIENCE

The Model 499 Haybine® mower-conditioner gives you 12-foot capacity with pivot-tongue convenience, plus:

- Patented Rolareel header—no auger needed.
- Fast, clean cutting from dual sickles.
- Thorough, plug-free conditioning from chevron-design rolls.

Put a "499" to work for you.



### QUALITY USED EQUIPMENT FOR SALE

#### SPECIAL MENTION

NH 1495 HAYBINE • Diesel Engine • Hydro • cab • Air Cond.

- (3) NH 489 Haybines
- NH 144 Windrow Inverter
- NH 411 Discbine®
- Deutz Allis 6260 Tractor
- NH 315 Baler w/Model 70 Thrower

Allis Chalmers Model G Tractor with Cultivator

## BHM FARM & LAWN EQUIP.

SALES - PARTS - SERVICE  
Route 934 - 2 Miles North of Annville, PA  
Telephone 717-867-2211

## New Idea HUTTON FARM EQUIPMENT

R.D. 2 Mahaffey PA  
(814) 277-6647



For the way you farm today

### CASH SAVINGS ON NEW EQUIPMENT

Ford Model 4630, 4WD shuttle.....	\$12,995
NH Model 166 windrow inverter w/hyd. drive & conveyor extensions.....	\$4,900
NI Model 5212 disc, M-C, DEMO .....	\$13,850

### USED EQUIPMENT

#### FORAGE EQUIPMENT

2 New Holland Model S717 Harvester 9 Knife w/Model 770W Pickup Head	\$2,500 each
2 New Holland Model 770R2 2 Row Cornhead.....	\$1,250 each
New Holland Model 36 Crop Chopper.....	\$1,750
Papec Blower.....	\$850
2 New Holland Model S23 Blower.....	\$750 each
New Holland Model 28 Blower.....	\$1,250
New Holland Model 30 Blower (New Heavy Duty Gearbox).....	\$2,550
IH Forage Wagon w/2 Beaters and Roof, Very Good Condition.....	\$1,295

#### MANURE SPREADERS

New Holland Model 520 new T-rod chain.....	\$2,500
Farm Hand Flail Spreader.....	Call
H&S 295 w/hyd. endgate and slurry pan, excel..	\$3,500
New Idea Model 3810 Solids Plus.....	\$2,500
New Idea Model 3810 Solids Plus.....	\$3,750

#### PLANTER

JD Model L 7000 4 Row Conservation Planter w/Monitors.....	\$5,500
---	---------

#### HAY EQUIPMENT

Hesston Model 1010 hydra swing mower conditioner.....	\$1,900
MF model 124 baler w/thrower.....	\$1,750
Vicon KM240 Mower/Conditioner.....	Call
IH Model 1000 Balanced Head Mower, 3 Pt. Hitch (excellent).....	\$1,275
New Idea Model 300 Hydro-Steer Mower Conditioner 12'.....	\$3,900
New Holland Model 495 Haybine, 12' (Excellent Rolls).....	\$2,900
John Deere Model 336 Baler.....	\$3,250
Gohl Model 1600 Round Baler (1500 lb. Bale).....	\$3,900
New Holland Model 273 Baler w/Thrower.....	\$3,250
NH model 326 baler w/hydroformatic bale tensioning, hyd. pickup lift.....	\$6,500
NH 315 baler w/model #70 thrower.....	\$4,500

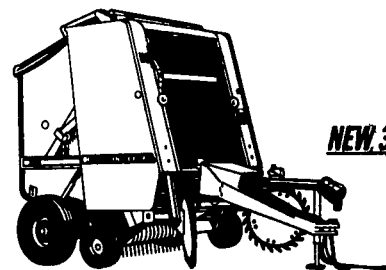
#### MISC. EQUIPMENT

New Holland Model 352 Grinder Mixer.....	\$700
Int. 1150 Grinder Mixer w/Electronic Scales.....	Call
IH transport disc, 12'.....	\$1,250
John Deere 12' Cultimulcher.....	\$1,900
NH 351 grinder mixer.....	\$700
Vicon model PS602 spreader.....	\$1,150

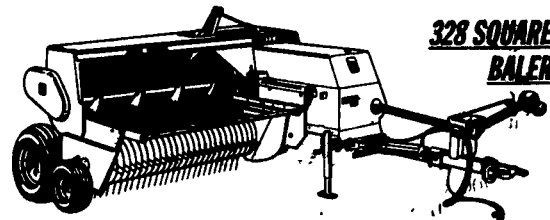
# JOHN DEERE

## HAY TOOLS: ALL KINDS, ALL READY

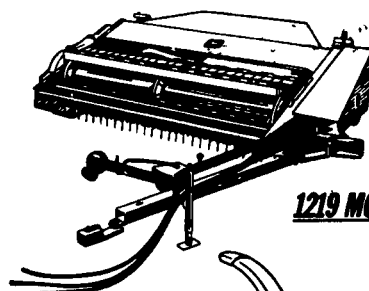
- See the biggest selection.
- 750...1,000...1,050...1,500...and 2,000-pound round bales. Surface wrap or twine tie with the two largest.
- Four square balers that make bales that stack like bricks.
- Mower/conditioners: rotary disk and sicklebar models, from 7-ft. 3-in. to 16-ft.
- Plus mowers, self-propelled windrowers, tedders, rakes, forage harvesters, and other equipment.



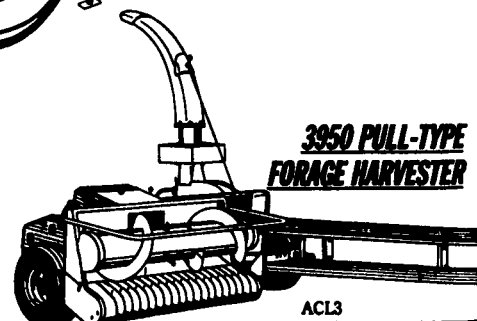
NEW 385 BALER



328 SQUARE BALER



1219 MOWER/CONDITIONER



3950 PULL-TYPE FORAGE HARVESTER

GOOD DEALS... AND A GOOD DEAL MORE

### Previously Owned Equipment

#### TRACTORS

JD 950 2WD With Front Blade, 580 Hrs. .	\$ 8,899
JD 4240 Cab, Quad-Range, 4,206 Hrs.....	\$19,899

#### COMBINES/FORAGE EQUIPMENT

JD 9500 1497 Eng Hrs, 1091 Sep Hrs.....	\$75,700
JD 9500 976 Sep Hrs, 1275 Eng Hrs.....	\$76,735
JD 9500 1661 Sep Hrs, 2462 Eng Hrs.....	\$75,700
JD 6620 2000 Hrs, Straw Chopper.....	\$27,394

#### TILLAGE

JD 712 Mulch Tiller 13'9".....	\$ 5,895
JD 712 Mulch Tiller 13'9".....	\$ 5,895

#### COMBINE CORN HEADS/ GRAIN PLATFORMS

JD DP Grain Plat 15' Level Land Drive.....	\$ 499
JD 215 Grain Plat Flex Sidehill Drive.....	\$ 1,599
JD DP Grain Plat 15' Level Land Drive.....	\$ 1,249
JD 913 Grain Plat 13' Flex.....	\$ 7,397
JD 915 Grain Plat 13' Flex.....	\$ 8,750

#### HAY EQUIPMENT MISCELLANEOUS

Gehl 99 Forage Blower.....	\$ 1,250
----------------------------	----------

#### PLANTERS/DRILLS

JD 7200 6 Row Vacuum Planter.....	\$14,499
-----------------------------------	----------



# LEHIGH AG EQUIPMENT, INC.

6670 Rupperville Road, Allentown, PA 18106

215-398-2553

Hours: Mon - Fri 7:30 to 5:30 Saturday 7:30 to 5:00  
We Ship Parts Same Day To Your Farm

