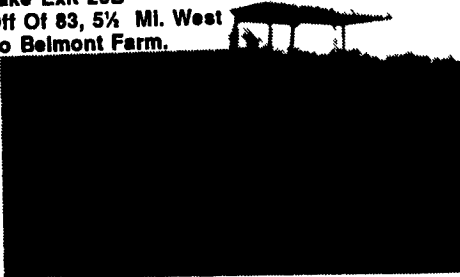


JD 4840 .....\$28,000  
 JD 336  
 w/kicker.....\$4,000  
 JD DWA for  
 haybine.....\$1,200  
 Gehl windrow  
 merger.....\$2,500  
 GT side-dump  
 wagon.....\$4,500  
 Ferguson 35..\$2,500  
 NH 890  
 w/heads.....\$4,500  
 NH 8 Self-unloading  
 wagon .....\$800  
**(914) 651-4398**

Take Exit 20B  
 Off Of 83, 5 1/2 Mi. West  
 To Belmont Farm.



**AC 185 Diesel**  
 75 HP, Weights, Excellent Rubber,  
 Less Than 2,500 Hrs.  
**\$6,250**  
**410-833-9091**

44 and 60 Small Knife Drum Assemblies For All JD  
 Self Propelled Choppers, Including 57 & 5800 Series &  
 3800 Pull type

**NEW STYLE J.D. QUICK ADJUST  
 SHEAR BAR INSTALLED**

Reconditioned Cutter Box With Small Knives, New Style  
 Shear Bar & Heavy Duty New Style Sharpener For  
 Exchange. Also Aggressive Top Feed Roll, Hydrostat  
 Units & Feed Roll Gear Box For Exchange.

**Chopper 716-992-4852**  
**REBUILDING SERVICE**

**Free 1200x24, 1300x24, 1400x20  
 usable tires**  
**Galion 9 wheel roller, gas..\$2,500**  
**Athey Belt Loader...\$1,500 \$1,000**  
**Hercules D3400 Dsl.....\$300**

**Cooper's Mfg. &  
 Equip. Corp.**  
 Salunga, Pa. 17538  
**717-898-2259**

**COMING IN**  
**CASE IH 695 4WD w/Loader;**  
**JD 1217 haybine**

Int 3688 w/Cab; 3388  
 w/Cab; 1486 w/Cab;  
 1086 w/Cab; 1066 Black  
 Stripe; 986 w/Cab; 966;  
 885 w/cab, 4WD  
 w/loader; 786; 766; (3)  
 656; 684; 460 w/picker;  
 400; 300; New 7275  
 Cub Cadet 4WD  
 w/mower; IH140  
**JD 4430 w/cab; 4020;**  
**3020; 430; JD 410**  
 Backhoe Loader; Ford  
 8N; AC200  
**Combines JD 3300, 4400;**  
**JD 40; (2) MF 510; IH**  
**205**

**Balers: Round (2) NH 855;**  
**NH 852; (2) NH 851; NH**  
**850; NH 849 847; (2) JD**  
**330; Hesston 5500**

**Balers: Square NH 278**  
 w/thrower; NH 273  
 w/thrower; NH 320  
 w/thrower

**Rakes (2) NH 256; IH 35;**  
**IH 14; NH 488 haybine;**  
**IH 990 haybine**

**Planters Int 800 air 4R; (2)**  
**IH 800 4R; IH 900 4R**  
 air; JD 1240 4R; MF  
 3 pt. 2R

**Plows 2 thru 5 bottom;**  
 discs; chisel plows;  
 Farmco feeders; Hurst  
 trailers; and all other  
 types of farm equipment  
 From  
**Leader's Farm  
 Equipment**  
 Everett, PA  
**814-652-2809**  
 All Types Of  
 Farm Equipment

**JD 4010**



**FIELD READY \$4,700**  
**717/776-7083**

**"JOB OPPORTUNITY"**  
**RECEPTIONIST/SECRETARY**

Fulltime for Farm Machinery  
 Dealership. Responsibilities include  
 phone receptionist and other general  
 office duties. Send resume to

**BINKLEY-HURST  
 BROS. INC.**

Attn: Don Brubaker  
 133 Rothsville Station Rd.,  
 Lititz, Pa. 17543

**For Johnson Grass, Volunteer Corn Problems &  
 Other Unwanted Weeds You Need A  
 SUPER SPONGE From Binkley & Hurst Bros.**

*Destroy Tall Weeds In Production Fields, Pastures & Row Crops*

**SUPER SPONGE**

**WEED  
 WIPER**

**CONTACT HERBICIDE APPLICATOR**

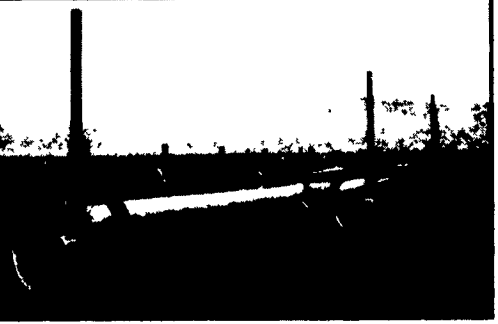

**IN STOCK:**

- \* 30' Super Sponge
- \* Heavy Duty Frame (1 Yr. Warranty)
- \* "See-Through" Tank
- \* Even Distribution Sponges (30 Day Warranty)
- \* Sight Glass Manifolds For Precise Flow Metering
- \* No Dripping Or Drifting - For Use In Corn, Wheat, Soybeans, Vegetables, Etc.

**CYLINDRICAL SPONGE APPLICATOR  
 PUTS MORE HERBICIDE ON WEEDS,  
 WITHOUT DRIPPING OR DRIFT!**

**KNOCK OUT -**  
 Johnson Grass,  
 Thistles, Pig Weed,  
 Crabgrass, Wild  
 Mustard, etc.

*Call Binkley & Hurst  
 Bros. Inc. Today!*

**BINKLEY-HURST  
 BROS. INC.** 133 Rothsville  
 Station Rd.  
 Lititz, PA 17453  
 (717) 626-4705 1-800-IT PAYS YOU

**Farm Plan**  
 A Service of FPC Financial

**DISCOVER** **MasterCard**

**Red  
 Weeder**

**WIPE THE WEEDS  
 OUT OF YOUR  
 YARD - GARDEN -  
 CROPS.**

**ONLY \$20<sup>75</sup>**

**AUTOMATIC  
 METERING  
 WEED WIPER  
 CONTACT  
 HERBICIDE  
 APPLICATOR**


- ✓ Easier than hoeing
- ✓ Safer than spraying
- ✓ No overspray
- ✓ Economical
- ✓ No spray drift

**CLOSED  
 MEMORIAL  
 DAY**

**YOU NAME YOUR TRAILER NEEDS...**

From 800 lb. to 50 Ton


See Us For All Your  
 New & Used Trailers!



See Binkley  
 & Hurst for  
 a Good Rotary!

**DEFEND AGAINST  
 WEEDS**

**WEED IT**



**3400 Series Toolbar  
 Rotary Hoe**

The only good weed is  
 a dead weed, and the  
 Weed-it Family is  
 your first defense. Our  
 Rotary Hoes and  
 Cultivators reduce  
 herbicide costs while  
 shattering crust and  
 aerating the soil at  
 high speeds. Protect  
 your fields

See Binkley &  
 Hurst Soon!

**IN STOCK AT  
 BINKLEY  
 & HURST**

**LET'S MAKE A  
 DEAL NOW!**

**AG-WRAP Bale  
 Wrapper**

One Tractor  
 Operation Lift,  
 Wrap, Transport  
 - No Damage  
 Unloading Simple  
 Operation,  
 Low Price



**(We Also Sell Flavor  
 Seal Wrapping Material!)**

**WESTFIELD**  
 GRAIN AUGERS

SEE  
**BINKLEY &  
 HURST BROS.**  
**FOR ALL  
 YOUR GRAIN  
 AUGER  
 NEEDS!**

*Call Or Stop In  
 Now For What  
 You Really  
 Want In An  
 Auger!*



Models W60, W70, W80, W100

**RHINO BATWING MOWERS  
 IN STOCK**

15' Medium Duty, Flex Wing Rotary Cutter is  
 the ideal choice for mowing pastures, highway  
 rights-of-way, crop residue, and other general  
 purpose applications.




Available in 540 or 1000 RPM, the SR15 features a proven four-  
 gearbox design that is rated to cut material up to 2" in diameter.

The divider gearbox is rated at 140 HP and the center and wing  
 gearboxes are rated at 100 HP. The 10 gauge deck is reinforced with  
 heavy wall tubing that provides added strength and extended life to  
 the mower's mainframe. Replaceable side skirts are 1/4" thick and  
 10 1/2" deep, providing extra capacity to handle those demanding cut-  
 ting jobs.  
 \* 1000 RPM

Up To  
 1000 Cu. Ft.

A-Dump  
 Wagon Can  
 Replace Up To  
 2 Forage Boxes





See Us for All Sizes  
 Available

**RICHARDTON**

When Your Truck Reaches The Blower,  
 Just Back into Your Load And Race Away For The Next!

LOOK AT THIS ALL  
 NEW STATIONARY  
 CONVEYOR  
 FEEDER BOX!  
 Super Deals For  
 The Buyer Who  
 Makes A Deal & Takes Delivery Now!



**GOOD HAY TOOLS COME FROM BINKLEY  
 & HURST BROS., INC... We Have:**

- New & Used Mower Conditioners
- New & Used Forage Boxes - A Good Selection
- New Round Balers
- New Square Balers & Bale Wagons w/Order
- Hay Rakes
- Paques Hay Tedders w/Special Order
- New Case IH 8720 Forage Harvester With Hay Pickup Ready To Chop
- Forage Blowers
- Forage Boxes, Dump Wagons

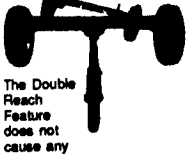
**Horst Running Gears Come from  
 Binkley & Hurst Bros. Inc.**

**A Very Important Standard Feature  
 On All Horst Wagons From 8-10-12-  
 13 and 14 Ton Is This Unique  
 Roller Bearing Steering.**

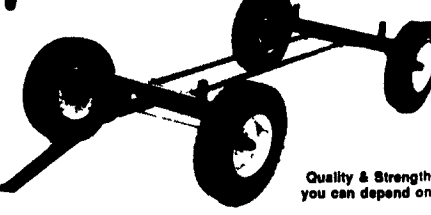


On all model wagons  
 the steering  
 assemblies are  
 mounted on Taper  
 Roller Bearings  
 Over 20 years field  
 service has proven  
 that this feature plus  
 ball-in socket tie  
 rod ends assures  
 long life and no  
 sway trailing

**12 - 13 and 14 Ton  
 Gears Double Reach  
 Coupling Poles  
 Means Double  
 Strength**



The Double  
 Reach  
 Feature  
 does not  
 cause any  
 problem  
 about  
 flexibility



200N  
 73" Track  
 200W  
 78" Track  
 200H  
 80" Track

Quality & Strength  
 you can depend on!

**Always Call Binkley & Hurst Bros.  
 For All Your Running Gear Needs**



**Horst No. 140  
 8 Ton Farm Wagon**  
 Shown with 88 x15 Tires - 74" Track Width

- Model 140 - The Ideal Hay Wagon
- Suitable for Bale Thrower Racks
- Flat Rocks, Medium Size Grain Bins And Will Also Serve As A Medium Duty Forage Wagon.

**CLOSED MEMORIAL DAY**

**BINKLEY-HURST  
 BROS. INC.** 133 Rothsville  
 Station Rd.  
 Lititz, PA 17453  
 (717) 626-4705 1-800-IT PAYS YOU

**Farm Plan**  
 A Service of FPC Financial

**DISCOVER** **MasterCard**