

Reg Belgian stud service, 17 1/2 hand, red sorrel, \$100 fee, mare care included Melvin Stauffer, 258 Frysville Road, Ephrata, PA 17522

Reg Clydesdale mare, big beautiful bay, 6 years, broke to ride, some pulling, \$2000 301-831-7934

Registered DocBar bred quarter horses for cutting or team penning Jo-Lar Ranch, (301)698-0954

Registered thoroughbred mare w/Percheron cross fold will breed back, \$2,500 (717)665-6263

Reg Mammoth Jacks, 9 year old red, \$1800, 18 month black Jack, \$900, Pair 3 year old Belgian mare mules, \$1800 304-457-4908

Restored Spindle Seat buggy, great condition 717/649-5409 Northumberland Co, Turbotville Area

RUNNING M STOCK FARM Boarding and training facility, performance and cow horses for sale, breaking and training, new and used trailers, horse shoeing Since 1963 Contact Joe Williams 215/970-5649 (home), 215/287-1166 (barn)

Saddlebred 3 year old stallion, 14.3, liver chestnut, rides and drives, \$800 firm 410-838-5976

Specializing in spotted and solid colored walking horses SPOTTED FEVER FARM 717-582-7831

Standardbred 4 year old pacing, gelding, well broke, big and fancy, anyone can drive \$1,500 Nice big brood mare record 2:01, open, already prove 1:56, \$1,000 (301)898-7426

Young male and female Llamas to be sold at NEW HOLLAND, Monday, May 30th  
**Charming Forge Farm**

**LLAMAS FOR SALE**  
(610) 868-0186

Llamas and Donkeys, all ages, for sale.  
**Charming Forge Farm**  
(610)589-5142

**← CHEROKEE →**  
TRAILERS  
"Mfg of All Aluminum Trailers"  
Horse•Cargo•Livestock•Car Haulers  
**RUNNING M STOCK CO.**  
Horses•Equipment•Supplies•Tack  
(610)327-4068  
(610)754-7211  
458 Kleman Rd. Fax 610/754-9059  
Gilbertsville, PA 19525



At stud until sold, M.E.F. Ralph Stud fee \$150 or sell for \$2,000 Registered Percheron, 17+H 13 years, broke  
**(717) 665-6263**

Two Western Saddles in Very Good Condition \$150 Each (717)933-8365

**LLAMAS FOR SALE**  
-8 month old brown male, 10 month old spotted male both are quiet and broke to lead  
**\$600.00 each**  
Lewistown  
**(717)242-0941**

**SADDLEBRED & MORGAN HORSES**  
Broke to ride and drive  
Ben F. Stoltzfus Box 68B, Rt. 2 Watsontown, PA 17777 On Rt. 44 Between McEwensville and Turbotville


**2 Yr. Old Paint Filly**  
Registered Breeding stock Ex. Blood Lines, Ready To Break.  
**\$800**  
After 6 P.M.  
**(717)949-3246**

**Saddlebred Stud Service, available Saturday's or evenings after 6 PM. Big strong horse.**  
**John Kauffman**  
MIII Rd (RD 2, Box 10) Honey Brook, PA 19344

**MONARCH HORSE & STOCK TRAILERS**  
Frank Pierce RD 1 - Box 360 Newmans town, (Schaefferstown) PA 17073  
**(717) 949-3246**

**MULES • MULES • MULES**  
• Pr Coming-3 Yr Old 16-3 Hand Sorrel Mares  
• Pr. Coming-5 Yr Old 16-3 Hand Grays  
• Pr Coming-2 Yr. Old 15-3 Hand Mares, Fancy ..... \$3,500  
• 8 Yr Old Fancy Saddle-bred Horse, anyone can drive. .... \$1,500  
• 1 Pr Gray 5 Yr. Old 15-3 Hand Mules, Broke ..... \$2,500  
Mules On Hand Year-Round  
**BUY OR RENT**  
**PAUL SMUCKER (800) 770-3721 (717) 299-3721**

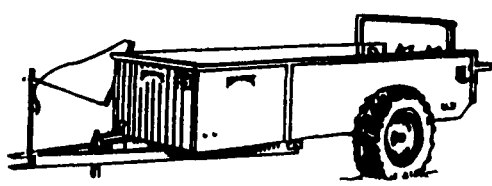
**TENNESSEE BROKE MULES**  
1 Load from Roy Epperson - Mules ready to go to work Broke riding mules available.  
We buy, sell and trade. 6 days a week.  
**HENRY E. KAUFFMAN**  
205 Bell Road Christians, PA 17509 (Near 9 points)  
**717-529-2614**  
Frank Weidman - Leave Message



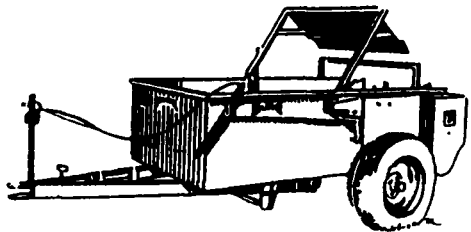
**Kish Valley Special PAINT PONY SALE**  
Saturday, June 4th  
• 50 TO 60 PAINT PONIES • mostly mares - several with foals by their side and several bred TACK - 1 p.m. • PONIES - 5 p.m. FM: SHERM GLICK  
(717) 935-5195 (Bus.) (717) 248-0960 (Home)  
**KISH VALLEY DAIRY SALES • Belleville, PA (Corner of S. Walnut & Front Mt. Rd.)**



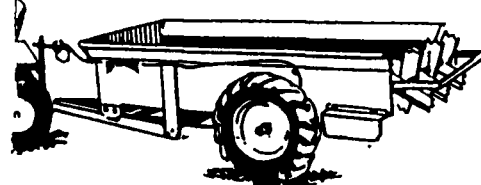
**Affordable Manure Spreaders**



**MODEL 75, 62 cubic ft. capacity. Operates behind 18-hp tractor.**



**MODEL 50, 44 cubic ft. capacity. Shown with optional endgate.**




**MODEL 25, 28 cubic ft. capacity Fits through 4-foot doors.**

Hundreds of small farm operators are using an affordable Millcreek spreader to solve their manure disposal problems.

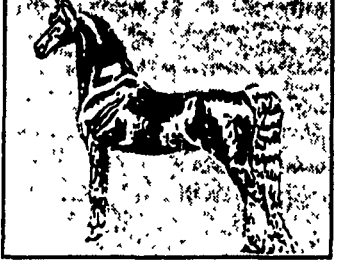
Why pay for a big spreader when a small one will do?

You have a choice of 4 sizes! Ground drive & PTO models available

**MILLCREEK**  
Manufacturing Co.  
2617 Stumptown Rd., Dept. LF Bird-In-Hand, PA 17505  
(717) 656-3050

 **Good Blonde Sorrel Jack White Mane & Tail Standing At Stud Proven To Throw Good Colts**  
**Ivan K. Stoltzfus**  
199 Shirktown Road Narvon, PA 17555 for information  
**717/445-5956**  
Ask for Ivan


**CLYDESDALES Stallion Service Available Geldings & young stock for sale**  
**LIBERTY KNOLLS FARM LLC**  
Gene Emswiler 10702 Mapleville Road Hagerstown, MD 21742  
**301-416-0015**

**MEL'S STABLE**  
**SELECTED**  
  
**CONSIGNMENT**  
**WORK HORSE, MULE & DRIVING HORSE SALE SAT., JUNE 4 - 10:30 A.M.**  
HORSES HITCHED AT 8:30 A.M. SHARP SALE HELD AT 834 WALLACE RD., NEW HOLLAND, PA. DIRECTIONS: FROM RT. 23 IN NEW HOLLAND, GO SOUTH ON BRIMMER AVE, GO 2 MILES SOUTH ON NEW HOLLAND ROAD TO HILL RD. TURN LEFT ON HILL RD. PROCEED 1.2 MILES TO SALE ON THE LEFT. FROM RT. 340 EAST OF INTERCOURSE TAKE NEW HOLLAND RD., 2.5 MILES TO HILL RD., RIGHT ON HILL RD. TO SALE ON LEFT.  
COME AND DRIVE THEM YOURSELF. BARN OPEN ON FRI., JUNE 3 FROM 9:00 A.M. TILL DARK.  
**MEL'S STABLE**  
OWNER - MEL HOOVER  
PHONE - HOME - 717-354-8397 BARN - 717-354-6431  
AUCTS. MEL HOOVER AU003111L NOT RESPONSIBLE FOR ACCIDENTS  
FOOD ON PREMISES

CLIP AND SAVE  
**HORSE MANURE**  
  
**Pick-up Straw Only. 15 Horse Minimum**  
**HY-TECH Mushroom Compost, Inc.**  
West Grove, PA 19390 • 215-869-0202

**Len Lyn Farms**  
DRY WOOD SHAVINGS  
**Excellent For Dairy, Horses and Poultry Delivered In 20 Cu. Yd, 50 Cu. Yd. and Trailer Loads**  
\* Fresh Poplar Sawdust  
\* Baled Pine Shavings  
**Galen W. Crouse**  
Lancaster County **717-336-6726**

**10 SHEEP & GOATS**

**September**  
  
**Broast**  
**DOVER, PENNSYLVANIA**  
**REGISTERED CLUN FOREST FLOCK**  
*Health and Performance Records Available*  
**RICHARD and DIANE HOFFMAN**  
Mailing Address  
474 E. Main Street  
Annville, PA 17003  
**(717) 867-1999**