

# Kitchen Tour Offers

(Continued from Page B3)

both natural and artificial decorate the pool area and other rooms. The Lincoln House will serve samples of their specialty in the kitchen.

• Dr. William and Holly Funk of 503 Ridge Ave., Ephrata, have done a magnificent reconstruction of their residence over a period of years. Large area windows in every room overlook the surrounding woodland. The home includes a game room and a sunroom with a jacuzzi. A chef from Plain and Fancy of Lancaster will serve food and Kerry Kegerise from Denver's Country Lane Flowers will arrange flowers throughout the house.

• Greg and Kim Wilson, 51 Horseshoe Drive, Ephrata, custom-designed their newly constructed multi-level home in East-

brook. The contemporary home features a cathedral ceiling in the living room with custom soffit work, recessed lighting, large closets, and more. Custom maple cabinetry with an ivory mist finish is the focal point of the spacious kitchen. Contemporary window treatments are used in the kitchen with Corian countertops, a family room with a tile fireplace, built in bar, and wall units with custom laminated surfaces. Floral designs, greenery, and accessories are by Country Charm of Leola. Cake a La Carte of Akron will provide refreshments.

• Kenneth and Bonnie Hosler of 17 Horseshoe Drive, Ephrata, live in a recently constructed home that has a foyer with an arched window and brass chandelier light in the staircase. The living room and dining room boast Bonnie's favo-

rite Williamsburg prints in fabric and wallpaper. The live-in kitchen and work area is an open end succession of oak and glass front cabinetry. Bonnie's collection of Sandwich glass is housed here and in the dining room breakfront. The breakfast area has a floor to ceiling bay window and is outlined with counted cross-stitch pictures.

The Hosler's Aunt Mae from Country Charm of Leola will accent each room with silk flower arrangements. Checkers from the Brossman Business Complex will serve food in the kitchen.

• John and Loretta Kurtz of 2 Kurtz Drive, Rothsville, built their dream home. The beige brick one-story home boasts a beveled glass door that lightens the entire entrance. Walk a few steps to the right and through the master bedroom to the peach tiled bathroom with mirrored backed jacuzzi and window wall view of the country landscape. Loretta's collection of Andrea birds is displayed in the corner cupboard and in the living and dining areas. The dining room is set with Sheraton Roses china from Poland. Oak woodwork is throughout the house, a interesting eating peninsula and a whatnot collection of Woodland Surprise

Animals. A see-through fireplace from the family room to the living room is a comfortable place to relax and enjoy the scenery from the window wall. Shirley Kurtz, a neighbor, will provide the floral arrangements. Refreshments will be provided by Chimney Corner, Lititz.

• Tom and Jeana Pannebecker of 1102 Joann Ave., Ephrata, both work for Armstrong World Industries so their furnishings and floorings reflect this. Enter through the foyer to the kitchen where a collec-

tion of baskets hangs from the ceiling beams. The U-constructed cabinets of oak and glass are topped with a collection of cans and kitchen essentials from yesteryear. Jeana stenciled the living room. The huge oak corner cupboard entertainment center, shadowboxes, and kitchen cabinets were all built by Jeana's father.

Lorraine Zimmermann from Esbenschade's Greenhouse will decorate the house with spring flowers. Miller's Smorgasboard will serve food samples in the kitchen.

## Menu Terminology

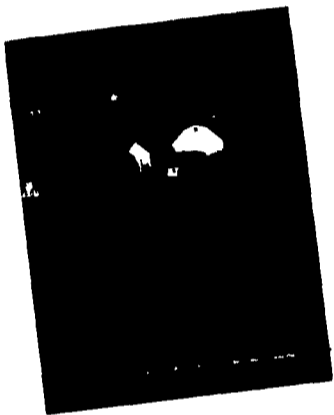
**Provencale** — a cooking style of the Provence region of France that incorporates garlic, tomatoes, and olive oil.

**Newburg** — a rich dish of chopped cooked shellfish in a sauce of butter, cream, egg yolks, and sherry.



Deb Weaver stands by the open stairway that she and her husband installed during renovations to restore the house to a one-family dwelling.

### BEST SELLER: 1993 ADC Annual Report



Read why Atlantic Dairy Cooperative has been the choice of dairy farmers for 77 years. ADC is the place to be for dairy farmers who are uncertain about their milk market.

For your free copy of our 1993 annual report, please contact:

Atlantic Dairy Cooperative  
1225 Industrial Highway  
Southampton, PA 18966  
1-800-645-MILK




Clip and Save

**THINK**

**NEW PEEL LESS BARN PAINTING**

1994



Barns in Lancaster and surrounding counties are ruined by overcoating! Resurfacing is the remedy!

A. RESURFACE by water blasting using your pressure washer with the latest dirty chaser gun or have it done professionally.

B. Into this resurfaced wood siding we first coat with the new high quality Kyanize Formula 77 stain paint for deep even penetration into the weathered barn siding.

C. Second coat penetrates first coat! Both coats are brushed with the finest of bristles to control penetrating film for evenness and thickness.

D. These thin linseed oil and urethane films peel less, since they are in the wood, promising more than double life.

E. At way below out of state competition cost.

F. Everything like many years ago, before peeling.

G. For free estimate call 717-445-6186 or Write

**PEEL LESS PAINTING**  
233 East Maple Grove Road  
Narvon, PA 17555

Clip and Save

# Weaver OUTLET STORES

SALE GOOD MARCH 15 THRU APRIL 2, 1994  
Quality poultry products at outlet store prices - and so much more!

**THREE WEEK EASTER SALE**

**NOW ACCEPTING**  
AT NEW HOLLAND AND LANCASTER STORES

**PLANT OUTLET STORE**  
403 South Custer Ave.  
New Holland, Pa. 17557  
Phone (717) 354-5600

**EASTER CANDY CLOSE-OUT SALE**

**WHITMAN/BRACHS**  
Bunnies, Eggs, Jelly Beans - Assortments

**THREE WEEK EASTER SALE**

**NEW STORE AT:**  
1941 Lincoln Hwy. East  
Lancaster, PA 17602  
Phone (717) 392-0635

**EPHRATA OUTLET STORE**  
290 S. Reading Rd. (Rt. 272)  
Ephrata, PA  
Phone (717) 738-3095

While Supplies Last • We Reserve The Right to Limit Quantities • Not Responsible for Typographical Errors • We Accept Food Stamps

**WEAVER OUTLET STORE COUPON**

**COUNTRY STYLE BONELESS WHOLE HAMS**

**\$1.99** w/Coupon And \$25.00 Minimum Purchase

(9 Lb. Avg.) Wt. Per Lb.

(Price of Ham not included in minimum purchase)  
One coupon per purchase, expires April 2, 1994

**PENN COUNTRY PREMIUM CHICKEN RONDELET PATTIES, CRISPY MINI DRUMS, CHICKEN NUGGETS OR NUGGET FRITTERS**

**\$9.95** 4 Lb. Bag, Fully Cooked

**MIX OR MATCH**

**Buy 1, Get 1 FREE**

**FROZEN PREBAKED APPLE PIES**

9 in.

**2/\$3**

**Weaver**

**CHICKEN FRANKS**

1 Lb. Pkg., Regular

**\$1.29** Buy 1, Get 1 **FREE**

**THE INN'S FROZEN CUT GREEN BEANS**

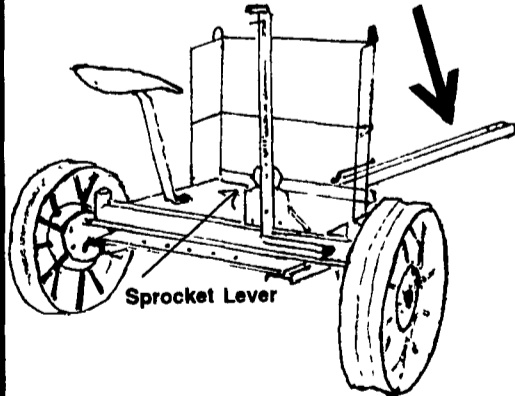
2 Lb. Clear Poly Bag

**99¢** **EXCELLENT VALUE**

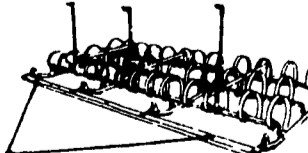
**AUTO TURN CARTS**

Without Brakes..... \$450.00  
With Brakes ..... \$695.00

Carts Now Have  
3x3 Steel Tubing Tongue



**SPRING HARROWS**



8'	\$600.00
9'	\$680.00
10'	\$710.00
12'	\$815.00

For Information On Delivery - Write  
**Little Britain Welding Shop**  
455 Nottingham Rd., Nottingham, PA 19362  
or call Art Bunholtzer 717-284-4745  
Before 8 A.M.